

IKO **DIMENSION and** **INTERCHANGE TABLE**



CAT-5806.2

NIPPON THOMPSON CO., LTD.

See you again at
IKO Website
<http://www.ikont.co.jp/eg/>

NIPPON THOMPSON CO., LTD.(JAPAN)

Head office : 19-19 Takanawa 2-chome Minato-ku
Tokyo 108-8586, Japan
Phone : +81 (0)3-3448-5850
Fax : +81 (0)3-3447-7637
E-mail : ntt@ikonet.co.jp
URL : <http://www.ikonet.co.jp/eg>
Plant : Gifu, Kamakura, Toki, Vietnam

IKO INTERNATIONAL, INC. (U.S.A.)

East Coast Operation (Sales Head Office)

91 Walsh Drive
Parsippany, NJ 07054
U.S.A.
Phone : +1 973-402-0254
Toll Free : 1-800-922-0337
Fax : +1 973-402-0441
E-mail : eco@ikonet.co.jp

Midwest Operation

101 Mark Street, Unit G,
Wood Dale, IL 60191
U.S.A.
Phone : +1 630-766-6464
Toll Free : 1-800-323-6694
Fax : +1 630-766-6869
E-mail : mwo@ikonet.co.jp

Minnesota Sales Office

1500 McAndrews Road West, Suite 210
Burnsville, MN 55337
U.S.A.
Phone : +1 952-892-8415
Toll Free : 1-800-323-6694
Fax : +1 952-892-1722
E-mail : mwo@ikonet.co.jp

West Coast Operation

9830 Norwalk Boulevard, Suite 198
Santa Fe Springs, CA 90670
U.S.A.
Phone : +1 562-941-1019
Toll Free : 1-800-252-3665
Fax : +1 562-941-4027
E-mail : wco@ikonet.co.jp

Silicon Valley Sales Office

1500 Wyatt Drive, Suite 10
Santa Clara, CA 95054
U.S.A.
Phone : +1 408-492-0240
Toll Free : 1-800-252-3665
Fax : +1 408-492-0245
E-mail : wco@ikonet.co.jp

Southeast Operation

2150 Boggs Road, Suite 100
Duluth, GA 30096
U.S.A.
Phone : +1 770-418-1904
Toll Free : 1-800-874-6445
Fax : +1 770-418-9403
E-mail : seo@ikonet.co.jp

Southwest Operation

8105 N. Beltline Road, Suite 130
Irving, TX 75063
U.S.A.
Phone : +1 972-929-1515
Toll Free : 1-800-295-7886
Fax : +1 972-915-0060
E-mail : swo@ikonet.co.jp

IKO THOMPSON BEARINGS CANADA, INC.

731-2425 Matheson Boulevard East,
Toronto Airport Corporate Centre 7th floor,
Mississauga, Ontario, L4W5K4, Canada
Phone : +1 (905) 361-2872
Fax : +1 (905) 361-6401
E-mail : itc@ikonet.co.jp

Recognizing that conservation of the global environment is the top-priority challenge for the world's population, Nippon Thompson will conduct its activities with consideration of the environment as a corporate social responsibility, reduce its negative impact on the environment, and help foster a rich global environment.

ISO 9001 & 14001 Quality system registration certificate



IKO THOMPSON BRAZIL SERVICE CO., LTD.

Av.Paulista, 854 10th floor, Top Center,
01310-100, Sao Paulo,
SP, Brazil
Phone : +55-(0)11-2186-0221
Fax : +55-(0)11-2186-0299
E-mail : itb@ikonet.co.jp

NIPPON THOMPSON EUROPE B.V.

The Netherlands (Sales Head Office)

Sheffieldstraat 35
3047 AN Rotterdam
The Netherlands
Phone : +31 (0)10-462 68 68
Fax : +31 (0)10-462 60 99
E-mail : nte@ikonet.co.jp

Germany Branch

Mündelheimer Weg 54
40472 Düsseldorf
Germany
Phone : +49 (0)211-41 40 61
Fax : +49 (0)211-42 76 93
E-mail : ntd@ikonet.co.jp

Regensburg Sales Office (Germany)

Im Gewerbepark D 30
93059 Regensburg
Germany
Phone : +49 (0)941-20 60 70
Fax : +49 (0)941-20 60 719
E-mail : ntdr@iko-nt.de

Neunkirchen Sales Office (Germany)

Gruben Str.95c
66540 Neunkirchen
Germany
Phone : +49 (0)6821-99 98 60
Fax : +49 (0)6821-99 98 626
E-mail : ntdn@iko-nt.de

U.K. Branch

2 Vincent Avenue, Crownhill
Milton Keynes, Bucks, MK8 0AB
United Kingdom
Phone : +44 (0)1908-566144
Fax : +44 (0)1908-565458
E-mail : sales@iko.co.uk

Spain Branch

Autovia Madrid-Barcelona, Km. 43,700
Polig. Ind. Aida - Nove A-8, Ofic. 2-1^a
19200 Azuqueca de Henares
(Guadalajara) Spain
Phone : +34 949-26 33 90
Fax : +34 949-26 31 13
E-mail : nts@ikonet.co.jp

France Branch

Bâtiment le Raphaël Paris Nord 2
22 avenue des Nations
BP54394 Villepinte
95943 ROISSY C.D.G Cedex
France
Phone : +33 (0)1-48 16 57 39
Fax : +33 (0)1-48 16 57 46
E-mail : contact@iko-france.com

IKO THOMPSON ASIA CO.,LTD.(Thailand)

1-7 Zuellig House, 3rd Floor
Silom Road, Silom, Bangrak
Bangkok 10500, Thailand
Phone : +66 (0)2-637-5115
Fax : +66 (0)2-637-5116
E-mail : ita@ikonet.co.jp

- The specifications and dimensions of products in this catalog are subject to change without prior notice.
- When these products are exported, the exporter should confirm a forwarding country and a use, and, in case of falling under the customer's requirements, take necessary procedures such as export permission application.
- Although all data in this catalog has been carefully compiled to make the information as complete as possible, NIPPON THOMPSON CO., LTD. shall not be liable for any damages whatsoever, direct or indirect, based upon any information in this catalog. NIPPON THOMPSON CO., LTD. makes no warranty, either express or implied, including the implied warranty of merchantability or fitness for a particular purpose.
- Reproduction and conversion without permission are prohibited.

IKO THOMPSON KOREA CO., LTD. (Korea)

2F, 111, Yeouigongwon-ro, Yeongdeungpo-gu,
Seoul, 07241, Korea
Phone : +82 2 6337 5851
Fax : +82 2 6337 5852
E-mail : itk@ikonet.co.jp

IKO-THOMPSON (SHANGHAI) LTD. (China)

Shanghai Sales Head Office

1608-10 MetroPlaza, No.555 LouShanGuan Road,
ChangNing District Shanghai
People's Republic of China 200051
Phone : +86 (0)21-3250-5525
Fax : +86 (0)21-3250-5526
E-mail : ntc@ikonet.co.jp

Beijing Branch

Room 609 Scitech Tower,
No.22 Jianguomenwai Avenue, Chaoyang District, Beijing
People's Republic of China 100004
Phone : +86 (0)10-6515-7681
Fax : +86 (0)10-6515-7681*106
E-mail : ntc@ikonet.co.jp

Guangzhou Branch

Room 834, Garden Tower, Garden Hotel,
368 Huanshi East Road, Yuexiu District, Guangzhou, Guangdong
People's Republic of China 510064
Phone : +86 (0)20-8384-0797
Fax : +86 (0)20-8381-2863
E-mail : ntc@ikonet.co.jp

Wuhan Branch

Room 2300, Truroll Plaza,
No.72 Wusheng Road,
Qiao Kou District, Wuhan, Hubei
People's Republic of China 430033
Phone : +86 (0)27-8556-1610
Fax : +86 (0)27-8556-1630
E-mail : ntc@ikonet.co.jp

Shenzhen Office

Room 532, Oriental Plaza,
1072 Jianshe Road,
Luohu District, Shenzhen, Guangdong
People's Republic of China 518001
Phone : +86 (0)20-8384-0797
Fax : +86 (0)20-8381-2863
E-mail : ntc@ikonet.co.jp

Ningbo Office

Room 3406, Zhongnongxin Building, No.181
Zhongshan East Road, Haishu Ward, Ningbo, Zhejiang
People's Republic of China 315000
Phone : +86 (0)574-8718-9535
Fax : +86 (0)574-8718-9533
E-mail : ntc@ikonet.co.jp

Qingdao Office

2107 Block A, World Trade Center Building,
No.230 Changjiang Middle Road,
Development Zone Qingdao
People's Republic of China 266555
Phone : +86 (0)532-8670-2246
Fax : +86 (0)532-8670-2242
E-mail : ntc@ikonet.co.jp

Shenyang Office

2-1203 Tower I, City Plaza Shenyang,
No.206 Nanjing North Street,
Heping District, Shenyang
People's Republic of China 110001
Phone : +86 (0)24-2334-2662
Fax : +86 (0)24-2334-2442
E-mail : ntc@ikonet.co.jp

The IKO logo is displayed in a bold, blue, sans-serif font.A faint, grayscale image of a ball bearing is centered in the background, showing its circular shape and internal structure.

DIMENSION and INTERCHANGE TABLE

CAT-5806.2

Although all data in this catalog has been carefully compiled to make the information as complete as possible, NIPPON THOMPSON CO., LTD. shall not be liable for any damages whatsoever, direct or indirect, based upon any information in this catalog. NIPPON THOMPSON CO., LTD. makes no warranty, either express or implied, including the implied warranty of merchantability or fitness for a particular purpose.

The data in this catalog is based on the most important dimensions of the listed products, namely, bore diameter, outside diameter and width. This does not mean that the listed products are interchangeable in all respects. They are interchangeable in many instances with those of the same dimensions, but should be checked if complete interchangeability is essential.

The specifications and dimensions of products in this catalog are subject to change without prior notice.

Index of IKO Bearing Series



TLA 12
TLAM 14
TA, TAM 17

YT, YTL 20
BA, BAM 24
BHA, BHAM 32

YB, YBH 36



IRT 21
IRB 40

SHELL TYPE NEEDLE ROLLER BEARINGS



KT 44
KT...EG 51
KTV...EG 52

NEEDLE ROLLER CAGES



(R)NA49 54
(R)NA48 60
TAF(I) 66

TR(I) 72
BR 84



(R)NA69 58



(R)NAF 74



GTR(I) 87
GBR 90

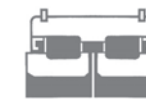


LRT 78
LRB 86
LRTZ 88
LRBZ 92

MACHINED TYPE NEEDLE ROLLER BEARINGS



NAG49 93
NAU49 94
TRU 95



NAS50 96

ROLLER BEARINGS



NTB 98
AS 99
GS, WS 100



AZK 102
AZ 104

THRUST BEARINGS



NAX(I) 108, 112
NBX(I) 110, 116



NATA 120
NATB 121

COMBINED BEARINGS



CFKR 122
CFKR...UU 124
CFKR...V 126
CFKR...VUU 128
CF 130
CF...F 146
CFE 154
CFES 150
CF...W 170
CF...RU1 172
CF...FU1 172
CF...SFU 174
NUCF 176
CFS 178
CF...WBUUR/SG 186
CR...B 188

CR 190
CR...BUU 192
CR...UU 194
CR...VB 196
CR...V 198
CR...VBUU 200
CR...VUU 202
CRH 204



(R)NAST 206
NART 213
NURT 218
CRY 220

CAM FOLLOWERS
ROLLER FOLLOWERS



CRBH 224
CRB, CRBC 225



CRBS 226
CRBT 228
CRBF 230

CROSSED ROLLER BEARINGS



SB 232
GE 234, 240
SBB 238



PB 242

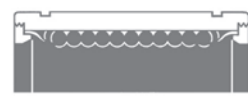


PHS 244, 252
POS 246, 254
PHSA 256
PHSB 248
POSB 250

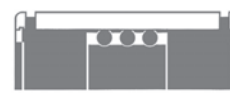


LHS 257
PRC 258
LHSA 259

SPHERICAL BUSHINGS
ROD ENDS



LBE 260
LBB 272
LBD 304
LM 288
LME 296
LMB 312
LMS 318
LK 319

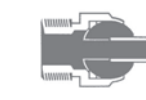


ST 320



BG 322

LINEAR BUSHINGS
STROKE ROTARY BUSHINGS



SNA 323
SNM, SNPT 324

SUPER FLEXIBLE NOZZLES



OS, DS 325



WR 328
AR 331

OTHERS

Alphabetical Index

Bearing No.	Brand	Page
.....	SCHNEEBERGER	313
...FSL...	TORRINGTON	241
...SF...	TORRINGTON	239
...SF...TT	TORRINGTON	239
0600-...-00	STAR	261, 297
0600-...-00	THOMSON	261, 297
0602-...-10	STAR	267, 303
0602-...-10	THOMSON	267, 303
0610-...-00	STAR	263, 299
0610-...-00	THOMSON	263, 299
0612-...-10	STAR	269, 305
0612-...-10	THOMSON	269, 305
0630-...-00	STAR	265, 301
0630-...-00	THOMSON	265, 301
0632-...-00	STAR	271, 307
0632-...-00	THOMSON	271, 307
811	INA	105
811	SKF	105
812	INA	105
812	SKF	105

A

A	THOMSON	273, 313
ADJ	HEIM	275, 315
ADJ	THOMSON	275, 315
ADJ...PP	HEIM	281
AR	IKO	331
AS	FAG	99
AS	IKO	99
AS	INA	99
AS	SKF	99
AXK	FAG	98
AXK	INA	98
AXK	SKF	98
AZ	IKO	104
AZK	IKO	102

B

B...L	RBC	239
B...LSS	RBC	239
BA	IKO	24
BAM	IKO	24
BAMW	IKO	28
BAW	IKO	28
BCE	INA	25
BCH	INA	33
BG	IKO	322
BHA	IKO	32
BHAM	IKO	32
BK	FAG	14

C

Bearing No.	Brand	Page
BK	INA	14
BK	SKF	14
BR	FAG	239
BR	IKO	84
BR	INA	331
CCF	McGILL	199
CCF...B	McGILL	197
CCF...S	McGILL	203
CCF...SB	McGILL	201
CFKR	IKO	122
CFKR...R	IKO	122
CFKR...UU	IKO	124
CFKR...UUR	IKO	124
CFKR...V	IKO	126
CFKR...VR	IKO	126
CFKR...VUU	IKO	128
CFKR...VUUR	IKO	128
CF	IKO	130
CF	INA	199
CF	McGILL	199
CF...AB	JNS / THK	123
CF...B	IKO	134
CF...B	McGILL	197
CF...BM	IKO	134
CF...BR	IKO	134
CF...BRM	IKO	134
CF...BUU	IKO	136
CF...BUUM	IKO	136
CF...BUUR	IKO	136
CF...BUURM	IKO	136
CF...FB	IKO	146
CF...FBR	IKO	146
CF...FU1	IKO	172
CF...FWBR	IKO	148
CF...FWBUUR	IKO	148
CF...M	IKO	130
CF...PP	INA	203
CF...PPY	INA	203
CF...PPSK	INA	201
CF...PPYSK	INA	201
CF...R	IKO	130
CF...R-AB	JNS / THK	123
CF...SK	INA	197
CF...RM	IKO	130
CF...RU1	IKO	172
CF...SFU	IKO	174
CF...SB	McGILL	201
CF...UU	IKO	132

Bearing No.	Brand	Page
CF...UUAB	JNS / THK	125
CF...UUM	IKO	132
CF...UUR	IKO	132
CF...UUR-AB	JNS / THK	125
CF...UURM	IKO	132
CF...V	IKO	138
CF...VAB	JNS / THK	127
CF...VB	IKO	142
CF...VBM	IKO	142
CF...VBR	IKO	142
CF...VBRM	IKO	142
CF...VBUU	IKO	144
CF...VBUUM	IKO	144
CF...VBUUR	IKO	144
CF...VBUURM	IKO	144
CF...VM	IKO	138
CF...VR	IKO	138
CF...VRAB	JNS / THK	127
CF...VRM	IKO	138
CF...VUU	IKO	140
CF...VUUAB	JNS / THK	129
CF...VUUM	IKO	140
CF...VUUR	IKO	140
CF...VUUR-AB	JNS / THK	129
CF...VUURM	IKO	140
CF...WBR	IKO	170
CF...WBUUR	IKO	170
CF...WBUUR/SG	IKO	186
CF...Y	INA	199
CF...YSK	INA	197
CFC	INA	191
CFC...SK	INA	189
CFC...PP	INA	195
CFC...PPSK	INA	193
CFC...PPY	INA	195
CFC...PPYSK	INA	193
CFC...Y	INA	191
CFC...YSK	INA	189
CFE	IKO	154
CFE...B	IKO	158
CFE...BM	IKO	158
CFE...BR	IKO	158
CFE...BRM	IKO	158
CFE...BUU	IKO	160
CFE...BUUM	IKO	160
CFE...BUUR	IKO	160
CFE...BUURM	IKO	160
CFE...M	IKO	154
CFE...R	IKO	154
CFE...RM	IKO	154

Bearing No.	Brand	Page
CFE...UU	IKO	156
CFE...UUM	IKO	156
CFE...UUR	IKO	156
CFE...UURM	IKO	156
CFE...V	IKO	162
CFE...VB	IKO	166
CFE...VBM	IKO	166
CFE...VBR	IKO	166
CFE...VBRM	IKO	166
CFE...VBUU	IKO	168
CFE...VBUUM	IKO	168
CFE...VBUUR	IKO	168
CFE...VBUURM	IKO	168
CFE...VM	IKO	162
CFE...VB	IKO	162
CFE...VRM	IKO	162
CFE...VUU	IKO	164
CFE...VUUM	IKO	164
CFE...VUUR	IKO	164
CFE...VUURM	IKO	164
CFES	IKO	150
CFES...B	IKO	152
CFES...BR	IKO	152
CFES...BUU	IKO	152
CFES...BUUR	IKO	152
CFES...R	IKO	150
CFES...UU	IKO	150
CFES...UUR	IKO	150
CFS	IKO	178
CFS...F	IKO	182
CFS...FW	IKO	184
CFS...V	IKO	178
CFS...W	IKO	180
CFS...WV	IKO	180
CR	IKO	190
CR	TORRINGTON	199
CR...B	IKO	188
CR...BUU	IKO	192
CR...R	IKO	190
CR...UU	IKO	194
CR...UUR	IKO	194
CR...V	IKO	198
CR...VB	IKO	196
CR...VBUU	IKO	200
CR...VBUUR	IKO	200
CR...VUU	IKO	202
CR...VUUR	IKO	202
CRB	IKO	225
CRB	TORRINGTON	197
CRBC	IKO	225

Alphabetical Index

Bearing No.	Brand	Page
C		
CRBC	TORRINGTON	197
CRBF	IKO	230
CRBH...A	IKO	224
CRBH...AUU	IKO	224
CRBS	IKO	226
CRBT	IKO	228
CRC	TORRINGTON	199
CRH...V	IKO	204
CRH...VB	IKO	204
CRH...VBR	IKO	204
CRH...VBUU	IKO	204
CRH...VBUUR	IKO	204
CRH...VR	IKO	204
CRH...VUU	IKO	204
CRH...VUUR	IKO	204
CRS	TORRINGTON	203
CRSB	TORRINGTON	201
CRSBC	TORRINGTON	201
CRSC	TORRINGTON	203
CRY...V	IKO	220
CRY...VR	IKO	220
CRY...VUU	IKO	222
CRY...VUUR	IKO	222
D		
DH	FAG	325
DS	IKO	325
F		
FJ	TORRINGTON	12
FJHTT	TORRINGTON	16
FJHV	TORRINGTON	12
FJTT	TORRINGTON	16
FJV	TORRINGTON	12
FNT	TORRINGTON	98
FNTA	TORRINGTON	98
FTRA	TORRINGTON	99
FWJV	TORRINGTON	45
G		
G	INA	325
G	SKF	325
GAKFR...PB	ELGES	247
GAKFR...PW	ELGES	255
GBR	IKO	90
GBR...UU	IKO	91
GE...DO	ELGES	235
GE...DO	INA	235
GE...DO-2RS	ELGES	235
GE...DO-2RS	INA	235

Bearing No.	Brand	Page
H		
GE...E	FAG	235
GE...E	IKO	234
GE...E	SKF	235
GE...EC	IKO	240
GE...EC-2RS	IKO	240
GE...ES	FAG	235
GE...ES	IKO	234
GE...ES	SKF	235
GE...ES-2RS	FAG	235
GE...ES-2RS	IKO	234
GE...ES-2RS	SKF	235
GE...FO	ELGES	237
GE...FO	INA	237
GE...FO-2RS	ELGES	237
GE...FO-2RS	INA	237
GE...G	IKO	236
GE...GS	IKO	236
GE...GS-2RS	IKO	236
GE...TE-2RS	SKF	241
GE...UA.2RS	FAG	241
GE...UK	ELGES	241
GE...UK	INA	241
GE...UK-2RS	ELGES	241
GE...UK-2RS	INA	241
GE...ZO	ELGES	239
GE...ZO	INA	239
GE...ZO-2RS	ELGES	239
GE...ZO-2RS	INA	239
GEH...ES	SKF	237
GEH...ES.2RS	FAG	237
GEH...ES-2RS	SKF	237
GEZ...ES	SKF	239
GEZ...ES-2RS	SKF	239
GIKFR...PB	ELGES	245
GIKFR...PW	ELGES	253
GR	McGILL	90
GR...SS	McGILL	91
GS	IKO	100
GS.811	FAG	100
GS.812	FAG	100
GS811	INA	100
GS811	SKF	100
GS812	INA	100
GS812	SKF	100
GTR	IKO	87
GTRI	IKO	87
I		
HF	HEIM	249
HJ	TORRINGTON	85

Bearing No.	Brand	Page
J		
HK	FAG	12
HK	INA	12
HK	SKF	12
HK...2RS	FAG	16
HK...2RS	INA	16
HK...2RS	SKF	16
HM	HEIM	251
J		
IR	INA	21, 78, 88
IR	RBC	86
IR	SKF	21, 78
IR	TORRINGTON	41, 86, 92
IRB	IKO	40
IRT	IKO	21
IRZ	SKF	88
J		
J	TORRINGTON	25
JH	TORRINGTON	33
JP	TORRINGTON	25
JR	FAG	21, 78
JRZ	FAG	88
K		
K	FAG	44
K	INA	44
K	SKF	44
K...FKIV	FAG	52
K...FV	FAG	51
K...JPSV	FAG	51
K.811	FAG	102
K.812	FAG	102
K811	INA	102
K811	SKF	102
K812	INA	102
K812	SKF	102
KB	INA	261, 297
KB...PP	INA	267, 303
KBK	INA	52
KBK	SKF	52
KBO	INA	265, 301
KBO...PP	INA	271, 307
KBS	INA	263, 299
KBS...PP	INA	269, 305
KH	INA	319
KH...PP	INA	319
KN	KAYDON	37
KR	FAG	131
KR	INA	123, 131

Bearing No.	Brand	Page
K		
KR	SKF	131
KR...2RS	FAG	133
KR...2RSZ	FAG	133
KR...DZ	FAG	131
KR...PP	INA	125, 133, 137
KR...PP	SKF	133, 137
KR...PPSK	INA	137
KR...PPSK	SKF	137
KR...PPX	INA	125, 133
KR...PPX	SKF	133
KR...PPXSK	INA	137
KR...PPXSK	SKF	137
KR...SK	INA	135
KR...SK	SKF	135
KR...X	INA	123, 131
KR...X	SKF	131
KR...XSK	INA	135
KR...XSK	SKF	135
KRE	INA	155
KRE...PP	INA	157
KRE...PPSK	INA	161
KRE...PPX	INA	157
KRE...PPXSK	INA	161
KRE...SK	INA	159
KRE...X	INA	155
KRE...XSK	INA	159
KRV	INA	127, 139
KRV	SKF	139
KRV...PP	INA	129, 141, 145
KRV...PP	SKF	141, 145
KRV...PPSK	INA	145
KRV...PPSK	SKF	145
KRV...PPX	INA	129, 141, 145
KRV...PPX	SKF	141, 145
KRV...PPXSK	INA	145
KRV...PPXSK	SKF	145
KRV...SK	INA	143
KRV...SK	SKF	143
KRV...X	INA	127, 139
KRV...X	SKF	139
KRV...XSK	INA	143
KRV...XSK	SKF	143
KRVE	INA	163
KRVE...PP	INA	165
KRVE...PPSK	INA	169
KRVE...PPX	INA	165
KRVE...PPXSK	INA	169
KRVE...SK	INA	167
KRVE...X	INA	163
KRVE...XSK	INA	167

Alphabetical Index

K

Bearing No.	Brand	Page
KT	IKO	44
KT...EG	IKO	51
KTV...EG	IKO	52
KTW	IKO	46
KZK	INA	51
KZK	SKF	51

L

LAA	FAG	261, 297
LAA...2RS	FAG	267, 303
LAG	FAG	263, 299
LAG...2RS	FAG	269, 305
LAN	FAG	295, 301
LAN...2RS	FAG	271, 307
LBAR	SKF	261, 297
LBAR...2LS	SKF	267, 303
LBAS	SKF	263, 299
LBAS...2LS	SKF	269, 305
LBAT	SKF	301
LBAT...2LS	SKF	307
LBB	HEIM	273, 313
LBB	IKO	272
LBB...AJ	IKO	274
LBB...OP	IKO	276
LBB...PP	HEIM	279
LBB...UU	IKO	278
LBB...UUAJ	IKO	280
LBB...UUOP	IKO	282
LBCR	SKF	261, 297
LBCR...2LS	SKF	267, 303
LBCT	SKF	265, 301
LBCT...2LS	SKF	271, 307
LBD	IKO	284
LBD...AJ	IKO	284
LBD...OP	IKO	284
LBD...UU	IKO	286
LBD...UUAJ	IKO	286
LBD...UUOP	IKO	286
LBE	IKO	260
LBE...AJ	IKO	262
LBE...OP	IKO	264
LBE...UU	IKO	266
LBE...UUAJ	IKO	268
LBE...UUOP	IKO	270
LHS	IKO	257
LHSA	IKO	259
LK	IKO	319
LK...PP	IKO	319
LM	IKO	288
LM...AJ	IKO	288

Bearing No.	Brand	Page
LM...F	IKO	292
LM...FAJ	IKO	292
LM...FOP	IKO	292
LM...FUU	IKO	294
LM...FUUAJ	IKO	294
LM...FUUOP	IKO	294
LM...N	IKO	288
LM...NAJ	IKO	288
LM...NF	IKO	292
LM...NFAJ	IKO	292
LM...NFOP	IKO	292
LM...NFUU	IKO	294
LM...NFUUAJ	IKO	294
LM...NFUUOP	IKO	294
LM...NOP	IKO	288
LM...NUU	IKO	290
LM...NUUAJ	IKO	290
LM...NUUOP	IKO	290
LM...OP	IKO	288
LM...UU	IKO	290
LM...UUAJ	IKO	290
LM...UUOP	IKO	290
LMB	IKO	312
LMB...AJ	IKO	314
LMB...N	IKO	312
LMB...NAJ	IKO	314
LMB...NOP	IKO	316
LMB...OP	IKO	316
LME	IKO	296
LME...AJ	IKO	298
LME...F	IKO	308
LME...FAJ	IKO	308
LME...FOP	IKO	308
LME...FUU	IKO	310
LME...FUUAJ	IKO	310
LME...FUUOP	IKO	310
LME...N	IKO	296
LME...NAJ	IKO	298
LME...NF	IKO	308
LME...NFAJ	IKO	308
LME...NFOP	IKO	308
LME...NFUU	IKO	310
LME...NFUUAJ	IKO	310
LME...NFUUOP	IKO	310
LME...NOP	IKO	300
LME...NUU	IKO	302
LME...NUUAJ	IKO	304
LME...NUUOP	IKO	306
LME...OP	IKO	300
LME...UU	IKO	302

M

Bearing No.	Brand	Page
LME...UUAJ	IKO	304
LME...UUOP	IKO	306
LMS	IKO	318
LMS...F	IKO	318
LRB	IKO	86
LRBZ	IKO	92
LRT	IKO	78
LRTZ	IKO	88

MCF	McGILL	139
MCF...B	McGILL	143
MCF...BX	McGILL	143
MCF...S	McGILL	141
MCF...SB	McGILL	145
MCF...SBX	McGILL	145
MCF...SX	McGILL	141
MCF...X	McGILL	139
MCFD	McGILL	177
MCFD...X	McGILL	177
MCFR	McGILL	131
MCFR...B	McGILL	135
MCFR...BX	McGILL	135
MCFR...S	McGILL	133
MCFR...SB	McGILL	137
MCFR...SBX	McGILL	137
MCFR...SX	McGILL	133
MCFR...X	McGILL	131
MCYR	McGILL	214
MCYR...S	McGILL	216
MCYRR	McGILL	213
MCYRR...S	McGILL	215
MI	McGILL	86, 92
MJ	TORRINGTON	25
MJH	TORRINGTON	33
MM	AURORA	251
MR	McGILL	85
MW	AURORA	249

N

NA48	FAG	61
NA48	IKO	60
NA48	INA	61
NA48	SKF	61
NA49	FAG	55
NA49	IKO	54
NA49	INA	55
NA49	SKF	55
NA49...2RS	FAG	63
NA49...2RS	INA	63

Bearing No.	Brand	Page
NA49...2RS	SKF	63
NA49...UU	IKO	62
NA69	FAG	59
NA69	IKO	58
NA69	INA	59
NA69	SKF	59
NA69...UU	IKO	64
NAF	IKO	74
NAFW	IKO	74
NAG	IKO	93
NAG...UU	IKO	93
NAO	FAG	75
NAO	INA	75
NAO	SKF	75
NART...R	IKO	213
NART...UUR	IKO	215
NART...VR	IKO	214
NART...VUUR	IKO	216
NAS...UU	IKO	96
NAS...UUNR	IKO	96
NAS...ZZ	IKO	96
NAS...ZZNR	IKO	96
NAST	IKO	206
NAST...2Z	SKF	211
NAST...P-2Z	SKF	211
NAST...R	IKO	208
NAST...ZZ	IKO	210
NAST...ZZR	IKO	210
NAST...ZZUU	IKO	212
NAST...ZZUUR	IKO	212
NATA	IKO	128
NATB	IKO	129
NATR	FAG	213
NATR	INA	213
NATR	SKF	213
NATR...PP	INA	215
NATR...PP	SKF	215
NATV	INA	214
NATV	SKF	214
NATV...PP	INA	216
NATV...PP	SKF	216
NAU	IKO	94
NAU...UU	IKO	94
NAX	IKO	108
NAX...Z	IKO	108
NAXI	IKO	112
NAXI...Z	IKO	114
NAXK	FAG	109
NAXK...Z	FAG	109
NAXK...Z+JR	FAG	115

Alphabetical Index

N

Bearing No.	Brand	Page
NAXK+JR	FAG	113
NAXR	FAG	111
NAXR...Z	FAG	111
NAXR...Z+JR	FAG	119
NAXR+JR	SKF	117
NBX	IKO	110
NBX...Z	IKO	110
NBXI	IKO	116
NBXI...Z	IKO	118
NCS	INA	85
NK	FAG	55, 67
NK	INA	55, 67
NK	SKF	55, 67
NKI	INA	67
NKI	SKF	67
NKIA	INA	120
NKIA	SKF	120
NKIB	INA	121
NKIB	SKF	121
NKJ	FAG	67
NKJA	FAG	120
NKJB	FAG	121
NKS	FAG	55
NKS	INA	55
NKS	SKF	55
NKX	INA	109
NKX	SKF	109
NKX...Z	INA	109
NKX...Z	SKF	109
NKX...Z+IR	INA	115
NKX...Z+IR	SKF	115
NKX+IR	INA	113
NKX+IR	SKF	113
NKXR	INA	111
NKXR	SKF	111
NKXR...Z	INA	111
NKXR...Z	SKF	111
NKXR...Z+IR	INA	119
NKXR...Z+IR	SKF	119
NKXR+IR	INA	117
NKXR+IR	SKF	117
NNF	FAG	97
NNF	SKF	97
NTB	IKO	98
NUCF...R	IKO	176
NUKR	INA	177
NUKR...X	INA	177
NURT	IKO	217
NURT...R	IKO	217

O

Bearing No.	Brand	Page
OPN	HEIM	277, 317
OPN	THOMSON	277, 317
OPN...PP	HEIM	283
OS	IKO	325
OUV	SCHNEEBERGER	317

P

Bearing No.	Brand	Page
PB	IKO	242
PHS	IKO	244
PHS...EC	IKO	252
PHSA	IKO	256
PHSB	IKO	248
PI	INA	86
POS	IKO	246
POS...EC	IKO	254
POSB	IKO	250
PRC	IKO	258

R

Bearing No.	Brand	Page
RF	ROSE	249
RM	ROSE	251
RNA48	FAG	61
RNA48	IKO	60
RNA48	INA	61
RNA48	SKF	61
RNA49	FAG	55
RNA49	IKO	54
RNA49	INA	55
RNA49	SKF	55
RNA49...2RS	FAG	63
RNA49...2RS	INA	63
RNA49...2RS	SKF	63
RNA49...UU	IKO	62
RNA69	FAG	59
RNA69	IKO	58
RNA69	INA	59
RNA69	SKF	59
RNA69...UU	IKO	64
RNAF	IKO	74
RNAFW	IKO	74
RNAO	FAG	75
RNAO	INA	75
RNAO	SKF	75
RNAO	SKF	75
RNAST	IKO	206
RNAST...R	IKO	208
RSTO	FAG	209
RSTO	INA	209
RSTO	SKF	209

S

Bearing No.	Brand	Page
RSTO...DZ	FAG	207
RSTO...X	INA	207
RSTO...X	SKF	207

Bearing No.	Brand	Page
SAKAC...M	SKF	247
SAKB...F	SKF	255
SB	IKO	232
SB...A	IKO	232
SBB	IKO	238
SBB...2RS	IKO	238
SCE	INA	25
SCH	INA	33
SD	INA	325
SF	HIRSCHMANN	245
SFCV	HIRSCHMANN	253
SI	INA	41
SIKAC...M	SKF	245
SIKB...F	SKF	253
SJ	RBC	85
SL04...PPX	INA	97
SL04...X	INA	97
SM	HIRSCHMANN	247
SMCV	HIRSCHMANN	255
SN	INA	37
SNA	IKO	323
SNM	IKO	324
SNPT	IKO	324
SS	HIRSCHMANN	242
ST	IKO	320
ST...B	IKO	321
ST...UU	IKO	320
ST...UUB	IKO	321
STO	FAG	209
STO	INA	209
STO	SKF	209
STO...DZ	FAG	207
STO...X	INA	207
STO...X	SKF	207
STO...ZZ	FAG	211
STO...ZZ.DZ	FAG	211

T

Bearing No.	Brand	Page
TA	IKO	17
TAF	IKO	66
TAFI	IKO	66
TAM	IKO	17
TAMW	IKO	19
TAW	IKO	19
TLA	IKO	12

Bearing No.	Brand	Page
TLA...UU	IKO	16
TLAM	IKO	14
TLAMW	IKO	14
TLAW	IKO	12
TR	IKO	72
TR	SPHERCO	249
TRE	SPHERCO	251
TRI	IKO	72
TRU	IKO	95
TRU...UU	IKO	95

V

Bearing No.	Brand	Page
VF	ALINABAL	249
VM	ALINABAL	251

W

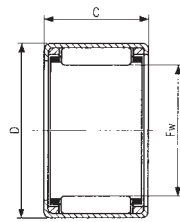
Bearing No.	Brand	Page
WR	FAG	328
WR	IKO	328
WR	INA	328
WS	IKO	100
WS.811	FAG	100
WS.812	FAG	100
WS811	INA	100
WS811	SKF	100
WS812	INA	100
WS812	SKF	100

Y

Bearing No.	Brand	Page
Y	TORRINGTON	40
YB	IKO	36
YBH	IKO	36
YH	TORRINGTON	37
YT	IKO	20
YTL	IKO	20

**SHELL TYPE
NEEDLE ROLLER BEARINGS**

Metric Dimension



TLA..Z

DIMENSION TABLE

IKO NUMBER OPEN END TLA..Z	WEIGHT (g)	DIMENSIONS (mm)			BASIC DYNAMIC LOAD RATING (N)	BASIC STATIC LOAD RATING (N)	USABLE INNER RING IRT	INA	SKF	FAG	TORRINGTON
		Fw	D	C				HK	HK	HK	FJ
TLA 48 Z	1.54	4	8	8	1350	1010	—	HK 0408 TN	HK 0408 TN	HK 0408 TN	FJV-48
TLA 59 Z	1.9	5	9	9	1880	1600	—	HK 0509	HK 0509	HK 0509	FJV-59
TLA 69 Z	2.2	6	10	9	2100	1900	—	HK 0609	HK 0609	HK 0609	FJ-69
TLA 79 Z	2.5	7	11	9	2490	2450	—	HK 0709	HK 0709	HK 0709	FJV-79
TLA 810 Z	3.1	8	12	10	3320	3670	—	HK 0810	HK 0810	HK 0810	FJV-810
TLA 910 Z	3.4	9	13	10	3500	4040	—	HK 0910	HK 0910	HK 0910	FJV-910
TLA 912 Z	4	9	13	12	4460	5510	—	HK 0912	HK 0912	HK 0912	—
TLA 1010 Z	3.7	10	14	10	3870	4740	IRT 710	HK 1010	HK 1010	HK 1010	FJV-1010
TLA 1012 Z	4.4	10	14	12	4920	6460	IRT 712	HK 1012	HK 1012	HK 1012	FJV-1012
TLA 1015 Z	5.5	10	14	15	6390	9040	IRT 715	HK 1015	HK 1015	HK 1015	—
TLA 1210 Z	4.3	12	16	10	4350	5810	IRT 810	HK 1210	HK 1210	HK 1210	FJV-1210
TLA 1212 Z	8.6	12	18	12	6420	7490	IRT 812	HK 1212	HK 1212	HK 1212	FJHV-1212
TLA 1312 Z	9.2	13	19	12	6760	8170	IRT 1012	HK 1312	HK 1312	HK 1312	FJ-1312
TLA 1412 Z	9.8	14	20	12	7080	8840	IRT 1012-2	HK 1412	HK 1412	HK 1412	FJV-1412
TLA 1416 Z	13.2	14	20	16	8950	12000	IRT 1016-2	—	—	—	—
TLA 1512 Z	10.4	15	21	12	7380	9520	IRT 1212	HK 1512	HK 1512	HK 1512	FJV-1512
TLA 1516 Z	14	15	21	16	9330	12900	IRT 1216	HK 1516	HK 1516	HK 1516	FJ-1516
TLA 1522 Z	19.1	15	21	22	13600	20900	IRT 1222	HK 1522	HK 1522	HK 1522	FJV-1522
TLA 1612 Z	10.9	16	22	12	7670	10200	IRT 1212-1	HK 1612	HK 1612	HK 1612	FJV-1612
TLA 1616 Z	14.8	16	22	16	9700	13800	IRT 1216-1	HK 1616	HK 1616	HK 1616	FJV-1616
TLA 1622 Z	20	16	22	22	14200	22400	IRT 1222-1	HK 1622	HK 1622	HK 1622	—
TLA 1712 Z	11.5	17	23	12	7960	10900	—	HK 1712	HK 1712	HK 1712	FJV-1712
TLA 1812 Z	12	18	24	12	8230	11500	IRT 1512	HK 1812	HK 1812	HK 1812	FJV-1812
TLA 1816 Z	16.2	18	24	16	10400	15600	IRT 1516	HK 1816	HK 1816	HK 1816	FJV-1816
TLA 2012 Z	13.2	20	26	12	8740	12900	—	HK 2012	HK 2012	HK 2012	FJV-2012
TLA 2016 Z	17.8	20	26	16	11100	17500	IRT 1716	HK 2016	HK 2016	HK 2016	FJV-2016
TLA 2020 Z	22	20	26	20	14500	24700	IRT 1720	HK 2020	HK 2020	HK 2020	FJV-2020
TLA 2030 Z	33	20	26	30	22300	42900	IRT 1730	HK 2030	HK 2030	HK 2030	—
TLA 2212 Z	15.6	22	28	12	9230	14300	—	HK 2212	HK 2212	HK 2212	FJV-2212
TLA 2216 Z	21.5	22	28	16	11700	19300	IRT 1716-2	HK 2216	HK 2216	HK 2216	FJV-2216
TLA 2220 Z	26.5	22	28	20	15300	27300	IRT 1720-2	HK 2220	HK 2220	HK 2220	—
TLA 2512 Z	19.7	25	32	12	9440	13900	—	HK 2512	HK 2512	HK 2512	FJV-2512
TLA 2516 Z	26	25	32	16	12800	20500	—	HK 2516	HK 2516	HK 2516	FJV-2516
TLA 2520 Z	32	25	32	20	16900	29300	IRT 2020-1	HK 2520	HK 2520	HK 2520	FJV-2520
TLA 2526 Z	41.5	25	32	26	22600	42500	IRT 2026-1	HK 2526	HK 2526	HK 2526	—
TLAW 2538 Z	58.5	25	32	38	28900	58500	IRT 2038-1	HK 2538	HK 2538	HK 2538	—
TLA 2816 Z	28.5	28	35	16	13800	23500	—	HK 2816	HK 2816	HK 2816	FJV-2816
TLA 2820 Z	35.5	28	35	20	18300	33600	IRT 2220-1	HK 2820	HK 2820	HK 2820	FJV-2820
TLA 3012 Z	23.5	30	37	12	10400	16600	—	HK 3012	HK 3012	HK 3012	FJV-3012
TLA 3016 Z	30.5	30	37	16	14100	24500	—	HK 3016	HK 3016	HK 3016	FJV-3016

INTERCHANGE TABLE

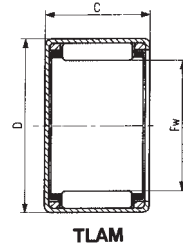
DIMENSION TABLE

IKO NUMBER OPEN END TLA..Z	WEIGHT (g)	DIMENSIONS (mm)			BASIC DYNAMIC LOAD RATING (N)	BASIC STATIC LOAD RATING (N)	USABLE INNER RING IRT	INA	SKF	FAG	TORRINGTON
		Fw	D	C				HK	HK	HK	FJ
TLA 3018 Z	34.5	30	37	18	16400	29800	—	—	—	—	—
TLA 3020 Z	38	30	37	20	18600	35100	IRT 2520-1	HK 3020	HK 3020	HK 3020	FJV-3020
TLA 3026 Z	49	30	37	26	24800	50900	IRT 2526-1	HK 3026	HK 3026	HK 3026	—
TLAW 3038 Z	69	30	37	38	31900	70200	IRT 2538-1	HK 3038	HK 3038	HK 3038	—
TLA 3512 Z	27	35	42	12	11600	20000	IRT 3012	HK 3512	HK 3512	HK 3512	—
TLA 3516 Z	35	35	42	16	15700	29600	—	HK 3516	HK 3516	HK 3516	FJV-3516
TLA 3520 Z	43.5	35	42	20	20700	42300	IRT 3020	HK 3520	HK 3520	HK 3520	FJV-3520
TLA 4012 Z	30	40	47	12	12400	22800	—	HK 4012	HK 4012	HK 4012	FJV-4012
TLA 4016 Z	39	40	47	16	16700	33700	—	HK 4016	HK 4016	HK 4016	—
TLA 4020 Z	49	40	47	20	22100	48200	IRT 3520	HK 4020	HK 4020	HK 4020	FJ-4020
TLA 4516 Z	43.5	45	52	16	17800	37800	—	HK 4516	HK 4516	HK 4516	FJ-4516
TLA 4520 Z	54.5	45	52	20	23400	54000	IRT 4020	HK 4520	HK 4520	HK 4520	FJV-4520
TLA 5020 Z	69	50	58	20	28800	64100	IRT 4520	HK 5020	HK 5020	HK 5020	FJ-5020
TLA 5025 Z	86	50	58	25	36900	88400	IRT 4525	HK 5025	HK 5025	HK 5025	—
TLA 5520 Z	75	55	63	20	29800	69400	IRT 5020-1	HK 5520	HK 5520	—	FJ-5520
TLA 5525 Z	98.5	55	63	25	38300	95700	IRT 5025-1	—	—	—	—

INTERCHANGE TABLE

**SHELL TYPE
NEEDLE ROLLER BEARINGS**

Metric Dimension



DIMENSION TABLE

IKO NUMBER CLOSED END TLAM	WEIGHT (g)	DIMENSIONS (mm)			BASIC DYNAMIC LOAD RATING (N)	BASIC STATIC LOAD RATING (N)	USABLE INNER RING IRT	INA BK	SKF BK	FAG BK
		Fw	D	C						
TLAM 48	1.67	4	8	8	1350	1010	—	BK 0408 TN	BK 0408 TN	BK 0408 TN
TLAM 59	2	5	9	9	1880	1600	—	BK 0509	BK 0509	BK 0509
TLAM 69	2.3	6	10	9	2100	1900	—	BK 0609	BK 0609	BK 0609
TLAM 79	2.7	7	11	9	2490	2450	—	BK 0709	BK 0709	BK 0709
TLAM 810	3.3	8	12	10	3320	3670	—	BK 0810	BK 0810	BK 0810
TLAM 910	3.6	9	13	10	3500	4040	—	BK 0910	BK 0910	BK 0910
TLAM 912	4.3	9	13	12	4460	5510	—	BK 0912	BK 0912	BK 0912
TLAM 1010	4	10	14	10	3870	4740	IRT 710	BK 1010	BK 1010	BK 1010
TLAM 1012	4.8	10	14	12	4920	6460	IRT 712	BK 1012	BK 1012	BK 1012
TLAM 1015	5.9	10	14	15	6390	9040	IRT 715	BK 1015	BK 1015	BK 1015
TLAM 1210	4.7	12	16	10	4350	5810	IRT 810	BK 1210	BK 1210	BK 1210
TLAM 1212	9.4	12	18	12	6420	7490	IRT 812	BK 1212	BK 1212	BK 1212
TLAM 1312	10.1	13	19	12	6760	8170	IRT 1012	BK 1312	BK 1312	BK 1312
TLAM 1412	10.8	14	20	12	7080	8840	IRT 1012-2	BK 1412	BK 1412	BK 1412
TLAM 1416	14.3	14	20	16	8950	12000	IRT 1016-2	—	—	—
TLAM 1512	11.5	15	21	12	7380	9520	IRT 1212	BK 1512	BK 1512	BK 1512
TLAM 1516	15.2	15	21	16	9330	12900	IRT 1216	BK 1516	BK 1516	BK 1516
TLAM 1522	20.5	15	21	22	13600	20900	IRT 1222	BK 1522	BK 1522	BK 1522
TLAM 1612	12.2	16	22	12	7670	10200	IRT 1212-1	BK 1612	BK 1612	BK 1612
TLAM 1616	16.1	16	22	16	9700	13800	IRT 1216-1	BK 1616	BK 1616	BK 1616
TLAM 1622	21.5	16	22	22	14200	22400	IRT 1222-1	BK 1622	BK 1622	BK 1622
TLAM 1712	13	17	23	12	7960	10900	—	BK 1712	BK 1712	BK 1712
TLAM 1812	13.7	18	24	12	8230	11500	IRT 1512	BK 1812	BK 1812	BK 1812
TLAM 1816	17.9	18	24	16	10400	15600	IRT 1516	BK 1816	BK 1816	BK 1816
TLAM 2012	15.2	20	26	12	8740	12900	—	BK 2012	BK 2012	BK 2012
TLAM 2016	19.9	20	26	16	11100	17500	IRT 1716	BK 2016	BK 2016	BK 2016
TLAM 2020	24	20	26	20	14500	24700	IRT 1720	BK 2020	BK 2020	BK 2020
TLAM 2030	35	20	26	30	22300	42900	IRT 1730	BK 2030	BK 2030	BK 2030
TLAM 2212	18.1	22	28	12	9230	14300	—	BK 2212	BK 2212	BK 2212
TLAM 2216	24	22	28	16	11700	19300	IRT 1716-2	BK 2216	BK 2216	BK 2216
TLAM 2220	29	22	28	20	15300	27300	IRT 1720-2	BK 2220	BK 2220	BK 2220
TLAM 2512	23.5	25	32	12	9440	13900	—	BK 2512	BK 2512	BK 2512
TLAM 2516	29.5	25	32	16	12800	20500	—	BK 2516	BK 2516	BK 2516
TLAM 2520	36	25	32	20	16900	29300	IRT 2020-1	BK 2520	BK 2520	BK 2520
TLAM 2526	45.5	25	32	26	22600	42500	IRT 2026-1	BK 2526	BK 2526	BK 2526
TLAMW 2538	62	25	32	38	28900	58500	IRT 2038-1	BK 2538	BK 2538	BK 2538
TLAM 2816	33.5	28	35	16	13800	23500	—	BK 2816	BK 2816	BK 2816
TLAM 2820	40.5	28	35	20	18300	33600	IRT 2220-1	BK 2820	BK 2820	BK 2820
TLAM 3012	29	30	37	12	10400	16600	—	BK 3012	BK 3012	BK 3012
TLAM 3016	36	30	37	16	14100	24500	—	BK 3016	BK 3016	BK 3016

INTERCHANGE TABLE

DIMENSION TABLE

IKO NUMBER CLOSED END TLAM	WEIGHT (g)	DIMENSIONS (mm)			BASIC DYNAMIC LOAD RATING (N)	BASIC STATIC LOAD RATING (N)	USABLE INNER RING IRT	INA BK	SKF BK	FAG BK
		Fw	D	C						
TLAM 3018	40	30	37	18	16400	29800	—	—	—	—
TLAM 3020	43.5	30	37	20	18600	35100	IRT 2520-1	BK 3020	BK 3020	BK 3020
TLAM 3026	54.5	30	37	26	24800	50900	IRT 2526-1	BK 3026	BK 3026	BK 3026
TLAMW 3038	74.5	30	37	38	31900	70200	IRT 2538-1	BK 3038	BK 3038	BK 3038
TLAM 3512	34.5	35	42	12	11600	20000	IRT 3012	BK 3512	BK 3512	—
TLAM 3516	42.5	35	42	16	15700	29600	—	BK 3516	BK 3516	—
TLAM 3520	51	35	42	20	20700	42300	IRT 3020	BK 3520	BK 3520	—
TLAM 4012	40	40	47	12	12400	22800	—	BK 4012	BK 4012	—
TLAM 4016	49	40	47	16	16700	33700	—	BK 4016	BK 4016	—
TLAM 4020	58.5	40	47	20	22100	48200	IRT 3520	BK 4020	BK 4020	—
TLAM 4516	56	45	52	16	17800	37800	—	BK 4516	BK 4516	—
TLAM 4520	67	45	52	20	23400	54000	IRT 4020	BK 4520	BK 4520	—
TLAM 5020	84.5	50	58	20	28800	64100	IRT 4520	BK 5020	BK 5020	—
TLAM 5025	107	50	58	25	36900	88400	IRT 4525	BK 5025	BK 5025	—
TLAM 5520	98.5	55	63	20	29800	69400	IRT 5020-1	BK 5520	BK 5520	—
TLAM 5525	118	55	63	25	38300	95700	IRT 5025-1	—	—	—

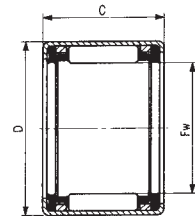
INTERCHANGE TABLE

IKO

TLA..UU

**SHELL TYPE
NEEDLE ROLLER BEARINGS**

Metric Dimension



TLA..UU

DIMENSION TABLE

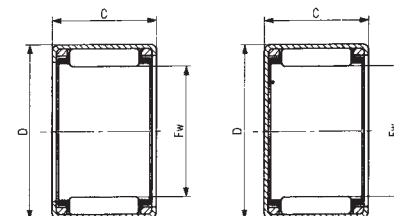
IKO NUMBER OPEN END TLA..UU	WEIGHT (g)	DIMENSIONS (mm)			BASIC DYNAMIC LOAD RATING (N)	BASIC STATIC LOAD RATING (N)	INTERCHANGE TABLE			
		Fw	D	C			INA HK..2RS	SKF HK..2RS	FAG HK..2RS	TORRINGTON FJTT
TLA 1216 UU	11.7	12	18	16	6420	7490	HK 1216.2RS	HK 1216.2RS	HK 1216.2RS	FJHTT-1216
TLA 1416 UU	13.3	14	20	16	7080	8840	HK 1416.2RS	HK 1416.2RS	HK 1416.2RS	FJTT-1416
TLA 1516 UU	14	15	21	16	7380	9520	HK 1516.2RS	HK 1516.2RS	HK 1516.2RS	FJTT-1516
TLA 1616 UU	14.8	16	22	16	7670	10200	HK 1616.2RS	HK 1616.2RS	HK 1616.2RS	FJTT-1616
TLA 1816 UU	16.3	18	24	16	8230	11500	HK 1816.2RS	HK 1816.2RS	HK 1816.2RS	FJTT-1816
TLA 2016 UU	17.8	20	26	16	8740	12900	HK 2016.2RS	HK 2016.2RS	HK 2016.2RS	FJTT-2016
TLA 2020 UU	22.5	20	26	20	11100	17500	HK 2020.2RS	HK 2020.2RS	HK 2020.2RS	FJTT-2020
TLA 2216 UU	19.4	22	28	16	9230	14300	HK 2216.2RS	HK 2216.2RS	HK 2216.2RS	FJTT-2216
TLA 2220 UU	25	22	28	20	11700	19300	HK 2220.2RS	HK 2220.2RS	HK 2220.2RS	FJTT-2220
TLA 2516 UU	26	25	32	16	9440	13900	HK 2516.2RS	HK 2516.2RS	HK 2516.2RS	FJTT-2516
TLA 2520 UU	33	25	32	20	12800	20500	HK 2520.2RS	HK 2520.2RS	HK 2520.2RS	FJTT-2520
TLA 2820 UU	36.5	28	35	20	13800	23500	HK 2820.2RS	HK 2820.2RS	HK 2820.2RS	FJTT-2820
TLA 3016 UU	30.5	30	37	16	10400	16600	HK 3016.2RS	HK 3016.2RS	HK 3016.2RS	FJTT-3016
TLA 3020 UU	39	30	37	20	14100	24500	HK 3020.2RS	HK 3020.2RS	HK 3020.2RS	FJTT-3020
TLA 3516 UU	35	35	42	16	11600	20000	HK 3516.2RS	HK 3516.2RS	HK 3516.2RS	FJTT-3516
TLA 3520 UU	45	35	42	20	15700	29600	HK 3520.2RS	HK 3520.2RS	HK 3520.2RS	FJTT-3520
TLA 4016 UU	39.5	40	47	16	12400	22800	HK 4016.2RS	HK 4016.2RS	HK 4016.2RS	FJTT-4016
TLA 4020 UU	50.5	40	47	20	16700	33700	HK 4020.2RS	HK 4020.2RS	HK 4020.2RS	FJTT-4020
TLA 4520 UU	56	45	52	20	17800	37800	HK 4520.2RS	HK 4520.2RS	HK 4520.2RS	FJTT-4520
TLA 5026 UU	89	50	58	26	28800	64100	—	—	—	—

IKO

TA..Z·TAM

**SHELL TYPE
NEEDLE ROLLER
BEARINGS**

Metric Dimension

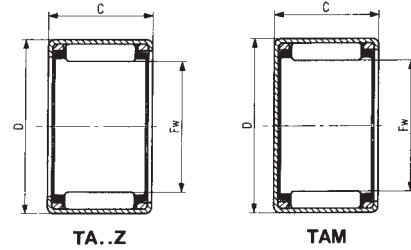


TA..Z

TAM

DIMENSION TABLE

IKO NUMBER OPEN END TA..Z	WEIGHT (g)	IKO NUMBER CLOSED END TAM	WEIGHT (g)	DIMENSIONS (mm)			BASIC DYNAMIC LOAD RATING (N)	BASIC STATIC LOAD RATING (N)	USABLE INNER RING IRT
				Fw	D	C			
TA 810 Z	6.7	TAM 810	7.1	8	15	10	3470	2880	—
TA 815 Z	9.7	TAM 815	10.1	8	15	15	5780	5570	—
TA 820 Z	12.9	TAM 820	13.3	8	15	20	8340	8920	—
TA 912 Z	8.7	TAM 912	9.2	9	16	12	5140	4880	—
TA 916 Z	11.4	TAM 916	11.9	9	16	16	6960	7210	—
TA 1010 Z	7.9	TAM 1010	8.5	10	17	10	4150	3780	IRT 710
TA 1012 Z	9.3	TAM 1012	10	10	17	12	5590	5540	IRT 712
TA 1015 Z	11.5	TAM 1015	12.2	10	17	15	6920	7300	IRT 715
TA 1020 Z	15.4	TAM 1020	16	10	17	20	9990	11700	—
TA 1212 Z	10.5	TAM 1212	11.5	12	19	12	6000	6310	IRT 812
TA 1215 Z	13.1	TAM 1215	14	12	19	15	7440	8320	IRT 815
TA 1220 Z	17.3	TAM 1220	18.3	12	19	20	10700	13300	—
TA 1225 Z	21.5	TAM 1225	22.5	12	19	25	13800	18300	—
TA 1416 Z	18.4	TAM 1416	19.6	14	22	16	10500	12000	IRT 1016-2
TA 1420 Z	23	TAM 1420	24	14	22	20	13900	17200	IRT 1020-2
TA 1510 Z	10.8	TAM 1510	12.3	15	22	10	5290	5680	IRT 1010-1
TA 1512 Z	12.9	TAM 1512	14.3	15	22	12	7120	8310	IRT 1012-1
TA 1515 Z	15.9	TAM 1515	17.3	15	22	15	8830	11000	IRT 1015-1
TA 1520 Z	21	TAM 1520	22.5	15	22	20	12700	17600	IRT 1020-1
TA 1525 Z	25	TAM 1525	26.5	15	22	25	16300	24200	IRT 1025-1
TA 1616 Z	20	TAM 1616	22	16	24	16	11100	13300	IRT 1216-1
TA 1620 Z	25	TAM 1620	27	16	24	20	14700	19100	IRT 1220-1
TA 1715 Z	17.6	TAM 1715	19.5	17	24	15	9660	12700	IRT 1215-2
TA 1720 Z	23.5	TAM 1720	25	17	24	20	13900	20400	IRT 1220-2
TA 1725 Z	29	TAM 1725	31	17	24	25	17900	28100	IRT 1225-2
TA 1813 Z	16.4	TAM 1813	18.5	18	25	13	9100	12000	IRT 1513
TA 1815 Z	18.5	TAM 1815	20.5	18	25	15	10100	13600	IRT 1515
TA 1817 Z	21	TAM 1817	23	18	25	17	11900	16900	IRT 1517
TA 1819 Z	23.5	TAM 1819	25.5	18	25	19	13700	20200	IRT 1519
TA 1820 Z	24.5	TAM 1820	26.5	18	25	20	14500	21800	IRT 1520
TA 1825 Z	30.5	TAM 1825	32.5	18	25	25	18600	30000	IRT 1525
TA 1916 Z	23	TAM 1916	25.5	19	27	16	12200	15700	IRT 1516-1
TA 1920 Z	29	TAM 1920	31	19	27	20	16100	22600	IRT 1520-1
TA 2015 Z	20	TAM 2015	22.5	20	27	15	10400	14600	IRT 1515-2
TA 2020 Z	26.5	TAM 2020	29	20	27	20	15000	23400	IRT 1520-2
TA 2025 Z	33	TAM 2025	35.5	20	27	25	19200	32200	IRT 1525-2
TA 2030 Z	39.5	TAM 2030	42	20	27	30	23100	41000	IRT 1530-2
TA 202820 Z	30	TAM 202820	32.5	20	28	20	16900	24300	IRT 1520-2
TA 2116 Z	25	TAM 2116	28	21	29	16	13300	18100	IRT 1716-1
TA 2120 Z	31.5	TAM 2120	34.5	21	29	20	17600	25900	IRT 1720-1



DIMENSION TABLE

IKO NUMBER OPEN END TA..Z	WEIGHT (g)	IKO NUMBER CLOSED END TAM	WEIGHT (g)	DIMENSIONS (mm)			BASIC DYNAMIC LOAD RATING (N)	BASIC STATIC LOAD RATING (N)	USABLE INNER RING IRT
				Fw	D	C			
TA 2210 Z	15	TAM 2210	18.1	22	29	10	6650	8500	IRT 1710-2
TA 2215 Z	21.5	TAM 2215	24.5	22	29	15	11100	16400	IRT 1715-2
TA 2220 Z	29	TAM 2220	32	22	29	20	16000	26300	IRT 1720-2
TA 2225 Z	35.5	TAM 2225	38.5	22	29	25	19700	34300	IRT 1725-2
TA 2230 Z	42.5	TAM 2230	45.5	22	29	30	23800	43700	IRT 1730-2
TA 223016 Z	26	TAM 223016	29	22	30	16	13200	18200	IRT 1716-2
TA 223020 Z	32.5	TAM 223020	35.5	22	30	20	17500	26100	IRT 1720-2
TA 2420 Z	31	TAM 2420	35	24	31	20	17000	29200	IRT 2020
TA 2428 Z	43.5	TAM 2428	47	24	31	28	24500	46700	IRT 2028
TA 243216 Z	28	TAM 243216	32	24	32	16	14200	20500	IRT 2016
TA 243220 Z	35.5	TAM 243220	39	24	32	20	18800	29400	IRT 2020
TA 2510 Z	19.1	TAM 2510	23	25	33	10	7990	9900	IRT 2010-1
TA 2515 Z	28.5	TAM 2515	32.5	25	33	15	13400	19300	IRT 2015-1
TA 2520 Z	36.5	TAM 2520	40.5	25	33	20	19500	31100	IRT 2020-1
TA 2525 Z	45.5	TAM 2525	49	25	33	25	24100	40800	IRT 2025-1
TA 2530 Z	54.5	TAM 2530	58.5	25	33	30	29100	52000	IRT 2030-1
TA 2616 Z	30.5	TAM 2616	34.5	26	34	16	15200	22900	IRT 2216
TA 2620 Z	38	TAM 2620	42.5	26	34	20	20100	32800	IRT 2220
TA 2820 Z	45	TAM 2820	50	28	37	20	21200	32300	IRT 2220-1
TA 2830 Z	67.5	TAM 2830	72.5	28	37	30	33000	56900	IRT 2230-1
TA 2920 Z	47	TAM 2920	52	29	38	20	22000	34200	IRT 2520
TA 2930 Z	70	TAM 2930	75.5	29	38	30	34200	60300	IRT 2530
TA 3013 Z	36.5	TAM 3013	42.5	30	40	13	13500	16800	—
TA 3015 Z	42	TAM 3015	47.5	30	40	15	16800	22400	IRT 2515-1
TA 3020 Z	54.5	TAM 3020	60	30	40	20	24500	36300	IRT 2520-1
TA 3025 Z	68	TAM 3025	73.5	30	40	25	31600	50300	IRT 2525-1
TA 3030 Z	80	TAM 3030	85.5	30	40	30	36700	60700	IRT 2530-1
TA 3220 Z	57.5	TAM 3220	63.5	32	42	20	25400	38600	IRT 2820
TA 3230 Z	86	TAM 3230	97.5	32	42	30	39500	68400	IRT 2830
TA 3512 Z	38.5	TAM 3512	46	35	45	12	14800	19900	IRT 3012
TA 3515 Z	48	TAM 3515	56	35	45	15	18500	26500	IRT 3015
TA 3520 Z	62.5	TAM 3520	70	35	45	20	27000	43100	IRT 3020
TA 3525 Z	78	TAM 3525	85.5	35	45	25	34800	59700	IRT 3025
TA 3530 Z	97	TAM 3530	105	35	45	30	40600	72600	IRT 3030
TA 3720 Z	64.5	TAM 3720	73	37	47	20	27800	45400	IRT 3220
TA 3730 Z	101	TAM 3730	110	37	47	30	41800	76700	IRT 3230
TA 3815 Z	51	TAM 3815	60	38	48	15	19000	28000	IRT 3215-1
TA 3820 Z	65.5	TAM 3820	74.5	38	48	20	27700	45600	IRT 3220-1
TA 3825 Z	82.5	TAM 3825	96	38	48	25	35600	63100	IRT 3225-1
TA 3830 Z	104	TAM 3830	114	38	48	30	43100	80600	IRT 3230-1

DIMENSION TABLE

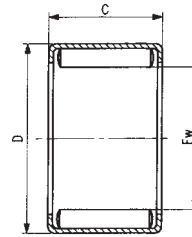
IKO NUMBER OPEN END TA..Z	WEIGHT (g)	IKO NUMBER CLOSED END TAM	WEIGHT (g)	DIMENSIONS (mm)			BASIC DYNAMIC LOAD RATING (N)	BASIC STATIC LOAD RATING (N)	USABLE INNER RING IRT
				Fw	D	C			
TAW 3845 Z	149	TAMW 3845	159	38	48	45	55700	112000	IRT 3245-1
TA 4015 Z	54	TAM 4015	63.5	40	50	15	19500	29400	IRT 3515
TA 4020 Z	69.5	TAM 4020	79	40	50	20	28400	47800	IRT 3520
TA 4025 Z	86.5	TAM 4025	102	40	50	25	36600	66200	IRT 3525
TA 4030 Z	110	TAM 4030	120	40	50	30	44300	84600	IRT 3530
TA 4040 Z	144	TAM 4040	154	40	50	40	56700	116000	IRT 3540
TA 4520 Z	77	TAM 4520	90	45	55	20	30600	54600	IRT 4020
TA 4525 Z	102	TAM 4525	115	45	55	25	39400	75600	IRT 4025
TA 4530 Z	122	TAM 4530	135	45	55	30	47700	96600	IRT 4030
TA 4540 Z	161	TAM 4540	174	45	55	40	61300	133000	IRT 4040
TA 5012 Z	62.5	TAM 5012	78	50	62	12	17700	24000	IRT 4512
TA 5015 Z	78	TAM 5015	98.5	50	62	15	25800	39000	IRT 4515
TA 5020 Z	107	TAM 5020	123	50	62	20	38000	64000	IRT 4520
TA 5025 Z	134	TAM 5025	150	50	62	25	49100	89000	IRT 4525
TA 5030 Z	161	TAM 5030	178	50	62	30	59500	114000	IRT 4530
TA 5040 Z	210	TAM 5040	230	50	62	40	76500	157000	IRT 4540
TAW 5045 Z	230	TAMW 5045	245	50	62	45	76700	158000	IRT 4545
TA 5520 Z	116	TAM 5520	136	55	67	20	39600	69700	IRT 5020-1
TA 5525 Z	145	TAM 5525	165	55	67	25	51200	97000	IRT 5025-1
TA 5530 Z	175	TAM 5530	195	55	67	30	62000	124000	IRT 5030-1
TA 5540 Z	230	TAM 5540	250	55	67	40	80000	172000	IRT 5040-1
TAW 5545 Z	250	TAMW 5545	270	55	67	45	79900	172000	IRT 5045-1
TAW 5550 Z	280	TAMW 5550	300	55	67	50	91500	205000	IRT 5050-1
TA 6025 Z	158	TAM 6025	182	60	72	25	54700	108000	IRT 5025
TA 6030 Z	191	TAM 6030	215	60	72	30	66300	139000	IRT 5030
TA 6040 Z	250	TAM 6040	275	60	72	40	85700	193000	IRT 5040
TAW 6045 Z	270	TAMW 6045	295	60	72	45	85400	193000	IRT 5045
TAW 6050 Z	305	TAMW 6050	330	60	72	50	97800	229000	IRT 5050
TA 6212 Z	78	TAM 6212	107	62	74	12	20100	30300	IRT 5212
TA 6525 Z	169	TAM 6525	197	65	77	25	56500	116000	IRT 5525
TA 6530 Z	205	TAM 6530	230	65	77	30	68500	149000	IRT 5530
TAW 6545 Z	290	TAMW 6545	315	65	77	45	88300	207000	IRT 5545
TAW 6550 Z	330	TAMW 6550	355	65	77	50	101000	246000	IRT 5550
TA 7025 Z	181	TAM 7025	215	70	82	25	58500	124000	IRT 6025
TA 7030 Z	220	TAM 7030	250	70	82	30	70900	159000	IRT 6030
TA 7040 Z	290	TAM 7040	320	70	82	40	92000	222000	IRT 6040
TAW 7050 Z	350	TAMW 7050	380	70	82	50	105000	262000	IRT 6050

IKO

YT·YTL

**SHELL TYPE
NEEDLE ROLLER BEARINGS**

Metric Dimension



YT·YTL

DIMENSION TABLE

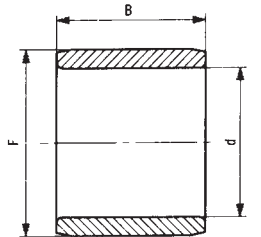
IKO NUMBER YT·YTL	WEIGHT (g)	DIMENSIONS (mm)			BASIC DYNAMIC LOAD RATING (N)	BASIC STATIC LOAD RATING (N)	USABLE INNER RING IRT
		Fw	D	C			
YTL 48	1.73	4	8	8	3010	2900	—
YTL 59	2.4	5	9	9	4320	4750	—
YT 810	7.7	8	15	10	7530	7950	—
YT 912	10.1	9	16	12	9690	11200	—
YTL 1210	5.1	12	16	10	7470	11800	IRT 810
YT 1212	12.8	12	19	12	11800	15200	IRT 812
YT 1715	20.5	17	24	15	16600	26000	IRT 1215-2
YT 1725	35.5	17	24	25	27200	49000	IRT 1225-2
YT 2015	23.5	20	27	15	18400	30900	IRT 1515-2
YT 2025	41	20	27	25	30000	58300	IRT 1525-2
YT 202820	37.5	20	28	20	26800	44600	IRT 1520-2
YT 2116	31	21	29	16	22100	35200	IRT 1716-1
YT 2120	39	21	29	20	27500	46800	IRT 1720-1
YT 223016	32	22	30	16	22600	36800	IRT 1716-2
YT 223020	40.5	22	30	20	28200	48900	IRT 1720-2
YT 2428	54	24	31	28	36800	79900	IRT 2028
YT 243216	34.5	24	32	16	23700	40100	IRT 2016
YT 243220	43.5	24	32	20	29500	53200	IRT 2020
YTL 2526	51.5	25	32	26	35000	75800	IRT 2026-1
YT 2510	22.5	25	33	10	15500	23600	IRT 2010-1
YT 2515	33	25	33	15	22700	38300	IRT 2015-1
YT 2520	45	25	33	20	30200	55400	IRT 2020-1
YT 2525	57	25	33	25	37200	72500	IRT 2025-1
YT 2616	37	26	34	16	24700	43300	IRT 2216
YT 2620	46.5	26	34	20	30800	57500	IRT 2220
YT 2820	56.5	28	37	20	34700	61700	IRT 2220-1
YT 2920	58.5	29	38	20	35500	64100	IRT 2520
YT 3220	71.5	32	42	20	39900	70100	IRT 2820
YT 3720	81	37	47	20	43300	81300	IRT 3220
YT 4015	63.5	40	50	15	33400	59800	IRT 3515
YT 4025	109	40	50	25	55300	114000	IRT 3525
YT 4520	96	45	55	20	47800	98200	IRT 4020
YT 4525	122	45	55	25	59100	129000	IRT 4025

IKO

IRT

**INNER RACES FOR SHELL TYPE
NEEDLE ROLLER BEARINGS**

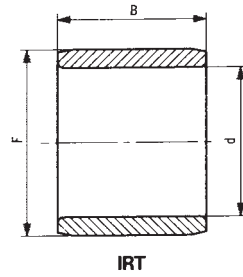
Metric Dimension



IRT

DIMENSION TABLE

IKO NUMBER IRT	WEIGHT (g)	DIMENSIONS (mm)			USABLE BEARING NUMBER		INA IR	SKF IR	FAG JR
		d	F	B	TA	TLA			
IRT 710	3.2	7	10	10.5	TA 1010 Z	TLA 1010 Z	IR 7×10×10.5	IR 7×10×10.5	JR 7×10×10.5
IRT 712	3.9	7	10	12.5	TA 1012 Z	TLA 1012 Z	—	—	—
IRT 715	4.8	7	10	15.5	TA 1015 Z	TLA 1015 Z	—	—	—
IRT 810	5.1	8	12	10.5	—	TLA 1210 Z	IR 8×12×10.5	IR 8×12×10.5	JR 8×12×10.5
IRT 812	6	8	12	12.5	TA 1212 Z	TLA 1212 Z	IR 8×12×12.5	IR 8×12×12.5	JR 8×12×12.5
IRT 815	7.5	8	12	15.5	TA 1215 Z	—	—	—	—
IRT 1012	5.2	10	13	12.5	—	TLA 1312 Z	IR 10×13×12.5	IR 10×13×12.5	JR 10×13×12.5
IRT 1012-2	7.2	10	14	12.5	—	TLA 1412 Z	—	—	—
IRT 1016-2	9.6	10	14	16.5	TA 1416 Z	TLA 1416 Z	—	—	—
IRT 1020-2	11.9	10	14	20.5	TA 1420 Z	—	—	—	—
IRT 1010-1	7.9	10	15	10.5	TA 1510 Z	—	—	—	—
IRT 1012-1	9.4	10	15	12.5	TA 1512 Z	TLA 1512 Z	—	—	—
IRT 1015-1	11.7	10	15	15.5	TA 1515 Z	—	—	—	—
IRT 1020-1	15.5	10	15	20.5	TA 1520 Z	—	—	—	—
IRT 1025-1	19.3	10	15	25.5	TA 1525 Z	—	—	—	—
IRT 1212	6.1	12	15	12.5	TA 1512 Z	TLA 1512 Z	IR 12×15×12.5	IR 12×15×12.5	JR 12×15×12.5
IRT 1216	8.1	12	15	16.5	—	TLA 1516 Z	IR 12×15×16.5	IR 12×15×16.5	JR 12×15×16.5
IRT 1222	11	12	15	22.5	—	TLA 1522 Z	IR 12×15×22.5	IR 12×15×22.5	JR 12×15×22.5
IRT 1212-1	8.5	12	16	12.5	—	TLA 1612 Z	—	—	—
IRT 1216-1	11.2	12	16	16.5	TA 1616 Z	TLA 1616 Z	—	—	—
IRT 1220-1	13.9	12	16	20.5	TA 1620 Z	—	—	—	—
IRT 1222-1	15.2	12	16	22.5	—	TLA 1622 Z	—	—	—
IRT 1215-2	13.6	12	17	15.5	TA 1715 Z	—	—	—	—
IRT 1220-2	18	12	17	20.5	TA 1720 Z	—	—	—	—
IRT 1225-2	22.5	12	17	25.5	TA 1725 Z	—	—	—	—
IRT 1512	7.5	15	18	12.5	—	TLA 1812 Z	—	—	—
IRT 1513	8.1	15	18	13.5	TA 1813 Z	—	—	—	—
IRT 1515	9.3	15	18	15.5	TA 1815 Z	—	—	—	—
IRT 1516	9.9	15	18	16.5	—	TLA 1816 Z	IR 15×18×16.5	IR 15×18×16.5	JR 15×18×16.5
IRT 1517	10.5	15	18	17.5	TA 1817 Z	—	—	—	—
IRT 1519	11.7	15	18	19.5	TA 1819 Z	—	—	—	—
IRT 1520	12.3	15	18	20.5	TA 1820 Z	—	—	—	—
IRT 1525	15.2	15	18	25.5	TA 1825 Z	—	—	—	—
IRT 1516-1	13.6	15	19	16.5	TA 1916 Z	—	—	—	—
IRT 1520-1	16.8	15	19	20.5	TA 1920 Z	—	—	—	—
IRT 1515-2	16.4	15	20	15.5	TA 2015 Z	—	—	—	—
IRT 1520-2	21.5	15	20	20.5	TA 2020 Z TA 202820 Z	TLA 2020 Z	—	—	—
IRT 1525-2	27	15	20	25.5	TA 2025 Z	—	—	—	—
IRT 1530-2	32	15	20	30.5	TA 2030 Z	TLA 2030 Z	—	—	—
IRT 1716	11.1	17	20	16.5	—	TLA 2016 Z	IR 17×20×16.5	IR 17×20×16.5	JR 17×20×16.5



DIMENSION TABLE

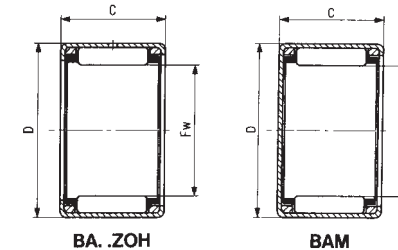
IKO NUMBER	WEIGHT	DIMENSIONS			USABLE BEARING NUMBER		INA	SKF	FAG
		(mm)			TA	TLA			
IRT	(g)	d	F	B			IR	IR	JR
IRT 1720	13.7	17	20	20.5	TA 2020 Z TA 202820 Z	TLA 2020 Z	IR 17×20×20.5	IR 17×20×20.5	JR 17×20×20.5
IRT 1730	20.5	17	20	30.5	TA 2030 Z	TLA 2030 Z	IR 17×20×30.5	IR 17×20×30.5	JR 17×20×30.5
IRT 1716-1	15.1	17	21	16.5	TA 2116 Z	—	—	—	—
IRT 1720-1	18.8	17	21	20.5	TA 2120 Z	—	—	—	—
IRT 1710-2	12.4	17	22	10.5	TA 2210 Z	—	—	—	—
IRT 1715-2	18.3	17	22	15.5	TA 2215 Z	—	—	—	—
IRT 1716-2	19.4	17	22	16.5	TA 223016 Z	TLA 2216 Z	—	—	—
IRT 1720-2	24	17	22	20.5	TA 2220 Z TA 223020 Z	TLA 2220 Z	—	—	—
IRT 1725-2	30	17	22	25.5	TA 2225 Z	—	—	—	—
IRT 1730-2	36	17	22	30.5	TA 2230 Z	—	—	—	—
IRT 2016	17.5	20	24	16.5	TA 243216 Z	—	—	—	—
IRT 2020	22	20	24	20.5	TA 2420 Z TA 243220 Z	—	—	—	—
IRT 2028	30.5	20	24	28.5	TA 2428 Z	—	—	—	—
IRT 2010-1	14.3	20	25	10.5	TA 2510 Z	—	—	—	—
IRT 2015-1	21	20	25	15.5	TA 2515 Z	—	—	—	—
IRT 2020-1	28	20	25	20.5	TA 2520 Z	TLA 2520 Z	IR 20×25×20.5	IR 20×25×20.5	JR 20×25×20.5
IRT 2025-1	34.5	20	25	25.5	TA 2525 Z	—	—	—	—
IRT 2026-1	36	20	25	26.5	—	TLA 2526 Z	IR 20×25×26.5	IR 20×25×26.5	JR 20×25×26.5
IRT 2030-1	41.5	20	25	30.5	TA 2530 Z	—	—	—	—
IRT 2038-1	52.5	20	25	38.5	—	TLAW 2538 Z	IR 20×25×38.5	IR 20×25×38.5	JR 20×25×38.5
IRT 2216	19.1	22	26	16.5	TA 2616 Z	—	—	—	—
IRT 2220	24	22	26	20.5	TA 2620 Z	—	—	—	—
IRT 2220-1	37	22	28	20.5	TA 2820 Z	TLA 2820 Z	IR 22×28×20.5	IR 22×28×20.5	JR 22×28×20.5
IRT 2230-1	55.5	22	28	30.5	TA 2830 Z	—	—	—	—
IRT 2520	26.5	25	29	20.5	TA 2920 Z	—	—	—	—
IRT 2530	40	25	29	30.5	TA 2930 Z	—	—	—	—
IRT 2515-1	25.5	25	30	15.5	TA 3015 Z	—	—	—	—
IRT 2520-1	34	25	30	20.5	TA 3020 Z	TLA 3020 Z	IR 25×30×20.5	IR 25×30×20.5	JR 25×30×20.5
IRT 2525-1	42.5	25	30	25.5	TA 3025 Z	—	—	—	—
IRT 2526-1	44	25	30	26.5	—	TLA 3026 Z	IR 25×30×26.5	IR 25×30×26.5	JR 25×30×26.5
IRT 2530-1	50.5	25	30	30.5	TA 3030 Z	—	—	—	—
IRT 2538-1	64	25	30	38.5	—	TLAW 3038 Z	IR 25×30×38.5	IR 25×30×38.5	JR 25×30×38.5
IRT 2820	29.5	28	32	20.5	TA 3220 Z	—	—	—	—
IRT 2830	44	28	32	30.5	TA 3230 Z	—	—	—	—
IRT 3012	24.5	30	35	12.5	TA 3512 Z	TLA 3512 Z	—	—	—
IRT 3015	30.5	30	35	15.5	TA 3515 Z	—	—	—	—
IRT 3020	40	30	35	20.5	TA 3520 Z	TLA 3520 Z	IR 30×35×20.5	IR 30×35×20.5	JR 30×35×20.5
IRT 3025	50	30	35	25.5	TA 3525 Z	—	—	—	—
IRT 3030	60	30	35	30.5	TA 3530 Z	—	—	—	—
IRT 3220	42.5	32	37	20.5	TA 3720 Z	—	—	—	—

DIMENSION TABLE

IKO NUMBER	WEIGHT	DIMENSIONS			USABLE BEARING NUMBER		INA	SKF	FAG
		(mm)			TA	TLA			
IRT	(g)	d	F	B			IR	IR	JR
IRT 3230	63.5	32	37	30.5	TA 3730 Z	—	—	—	—
IRT 3215-1	39.5	32	38	15.5	TA 3815 Z	—	—	—	—
IRT 3220-1	52	32	38	20.5	TA 3820 Z	—	—	—	—
IRT 3225-1	64.5	32	38	25.5	TA 3825 Z	—	—	—	—
IRT 3230-1	77.5	32	38	30.5	TA 3830 Z	—	—	—	—
IRT 3245-1	115	32	38	45.5	TAW 3845 Z	—	—	—	—
IRT 3515	35	35	40	15.5	TA 4015 Z	—	—	—	—
IRT 3520	46.5	35	40	20.5	TA 4020 Z	TLA 4020 Z	IR 35×40×20.5	IR 35×40×20.5	JR 35×40×20.5
IRT 3525	58	35	40	25.5	TA 4025 Z	—	—	—	—
IRT 3530	69	35	40	30.5	TA 4030 Z	—	—	—	—
IRT 3540	91.5	35	40	40.5	TA 4040 Z	—	—	—	—
IRT 4020	52.5	40	45	20.5	TA 4520 Z	TLA 4520 Z	IR 40×45×20.5	IR 40×45×20.5	JR 40×45×20.5
IRT 4025	65.5	40	45	25.5	TA 4525 Z	—	—	—	—
IRT 4030	78.5	40	45	30.5	TA 4530 Z	—	—	—	—
IRT 4040	104	40	45	40.5	TA 4540 Z	—	—	—	—
IRT 4512	36	45	50	12.5	TA 5012 Z	—	—	—	—
IRT 4515	44.5	45	50	15.5	TA 5015 Z	—	—	—	—
IRT 4520	59	45	50	20.5	TA 5020 Z	TLA 5020 Z	—	—	—
IRT 4525	73	45	50	25.5	TA 5025 Z	TLA 5025 Z	IR 45×50×25.5	IR 45×50×25.5	JR 45×50×25.5
IRT 4530	87.5	45	50	30.5	TA 5030 Z	—	—	—	—
IRT 4540	116	45	50	40.5	TA 5040 Z	—	—	—	—
IRT 4545	131	45	50	45.5	TAW 5045 Z	—	—	—	—
IRT 5020-1	65	50	55	20.5	TA 5520 Z	TLA 5520 Z	—	—	—
IRT 5025-1	81	50	55	25.5	TA 5525 Z	TLA 5525 Z	—	—	—
IRT 5030-1	96.5	50	55	30.5	TA 5530 Z	—	—	—	—
IRT 5040-1	128	50	55	40.5	TA 5540 Z	—	—	—	—
IRT 5045-1	144	50	55	45.5	TAW 5545 Z	—	—	—	—
IRT 5050-1	160	50	55	50.5	TAW 5550 Z	—	—	—	—
IRT 5025	169	50	60	25.5	TA 6025 Z	—	—	—	—
IRT 5030	205	50	60	30.5	TA 6030 Z	—	—	—	—
IRT 5040	270	50	60	40.5	TA 6040 Z	—	—	—	—
IRT 5045	300	50	60	45.5	TAW 6045 Z	—	—	—	—
IRT 5050	335	50	60	50.5	TAW 6050 Z	—	—	—	—
IRT 5212	86	52	62	12.5	TA 6212 Z	—	—	—	—
IRT 5525	185	55	65	25.5	TA 6525 Z	—	—	—	—
IRT 5530	220	55	65	30.5	TA 6530 Z	—	—	—	—
IRT 5545	330	55	65	45.5	TAW 6545 Z	—	—	—	—
IRT 5550	365	55	65	50.5	TAW 6550 Z	—	—	—	—
IRT 6025	200	60	70	25.5	TA 7025 Z	—	—	—	—
IRT 6030	240	60	70	30.5	TA 7030 Z	—	—	—	—
IRT 6040	320	60	70	40.5	TA 7040 Z	—	—	—	—
IRT 6050	395	60	70	50.5	TAW 7050 Z	—	—	—	—

**SHELL TYPE
NEEDLE ROLLER BEARINGS**

Inch Dimension



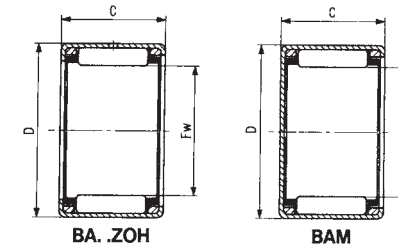
DIMENSION TABLE

INTERCHANGE TABLE

IKO NUMBER OPEN END BA..ZOH	WEIGHT (g)	IKO NUMBER CLOSED END BAM	WEIGHT (g)	DIMENSIONS						BASIC DYNAMIC LOAD RATING (N)	BASIC STATIC LOAD RATING (N)	USABLE INNER RING IRB	TORRINGTON		INA	
				Fw		D		C					OPEN END J	CLOSED END MJ	OPEN END SCE	CLOSED END BCE
				inch	mm	inch	mm	inch	mm							
BA 44 OH	2.1	—	2.3	¼	6.350	7/16	11.112	¼	6.35	1770	1390	—	JP-44-F	—	SCE 44	—
BA 45 ZOH	2.5	BAM 45	2.7	¼	6.350	7/16	11.112	5/16	7.92	1510	1120	—	J-45	MJ-451	SCE 45	BCE 45
BA 47 ZOH	3.5	BAM 47	3.7	¼	6.350	7/16	11.112	7/16	11.13	2650	2310	—	J-47	MJ-471	SCE 47	BCE 47
BA 55 ZOH	3	BAM 55	3.3	5/16	7.938	½	12.700	5/16	7.92	1880	1560	—	J-55	MJ-551	SCE 55	BCE 55
BA 56 ZOH	3.6	BAM 56	3.9	5/16	7.938	½	12.700	3/8	9.52	2620	2390	—	—	—	—	—
BA 57 ZOH	4.3	BAM 57	4.6	5/16	7.938	½	12.700	7/16	11.13	3310	3220	—	J-57	MJ-571	SCE 57	BCE 57
BA 59 ZOH	5.4	BAM 59	5.7	5/16	7.938	½	12.700	9/16	14.27	4190	4360	—	—	—	SCE 59	BCE 59
BA 65 ZOH	3.5	BAM 65	3.9	3/8	9.525	9/16	14.288	5/16	7.92	2220	2010	—	J-65	MJ-651	SCE 65	BCE 65
BA 66 ZOH	4.2	BAM 66	4.6	3/8	9.525	9/16	14.288	3/8	9.52	3090	3080	—	J-66	MJ-661	SCE 66	BCE 66
BA 68 ZOH	5.7	BAM 68	6.1	3/8	9.525	9/16	14.288	½	12.70	4190	4560	—	J-68	MJ-681	SCE 68	BCE 68
BA 69 ZOH	6.3	BAM 69	6.7	3/8	9.525	9/16	14.288	9/16	14.27	4940	5630	—	—	—	SCE 69	BCE 69
BA 610 ZOH	7	BAM 610	7.4	3/8	9.525	9/16	14.288	5/8	15.88	5660	6700	—	—	—	SCE 610	BCE 610
BA 76 ZOH	4.8	BAM 76	5.3	7/16	11.112	5/8	15.875	3/8	9.52	3290	3470	—	—	—	—	—
BA 77 ZOH	5.6	BAM 77	6.2	7/16	11.112	5/8	15.875	7/16	11.13	4150	4680	—	—	—	—	—
BA 78 ZOH	6.4	BAM 78	7	7/16	11.112	5/8	15.875	½	12.70	4460	5130	—	J-78	MJ-781	SCE 78	BCE 78
BA 710 ZOH	7.9	BAM 710	8.5	7/16	11.112	5/8	15.875	5/8	15.88	6020	7550	—	—	—	SCE 710	BCE 710
BA 85 ZOH	4.4	BAM 85	5.2	½	12.700	11/16	17.462	5/16	7.92	2490	2510	—	J-85	MJ-851	SCE 85	BCE 85
BA 86 ZOH	5.3	BAM 86	6.1	½	12.700	11/16	17.462	3/8	9.52	3470	3850	—	—	—	SCE 86	BCE 86
BA 87 ZOH	6.3	BAM 87	7	½	12.700	11/16	17.462	7/16	11.13	4380	5190	—	—	—	SCE 87	BCE 87
BA 88 ZOH	7.2	BAM 88	7.9	½	12.700	11/16	17.462	½	12.70	4710	5700	IRB 58	J-88	MJ-881	SCE 88	BCE 88
BA 810 ZOH	8.9	BAM 810	9.6	½	12.700	11/16	17.462	5/8	15.88	6350	8380	—	—	—	SCE 810	BCE 810
BA 812 ZOH	10.6	BAM 812	11.3	½	12.700	11/16	17.462	¾	19.05	7840	11000	—	J-812	—	SCE 812	BCE 812
BA 95 ZOH	4.9	BAM 95	5.8	9/16	14.288	¾	19.050	5/16	7.92	2760	2970	—	—	—	SCE 95	BCE 95
BA 96 ZOH	5.9	BAM 96	6.8	9/16	14.288	¾	19.050	3/8	9.52	3850	4560	—	—	—	SCE 96	BCE 96
BA 97 ZOH	6.9	BAM 97	7.8	9/16	14.288	¾	19.050	7/16	11.13	4860	6140	—	J-97	MJ-971	SCE 97	BCE 97
BA 98 ZOH	7.9	BAM 98	8.9	9/16	14.288	¾	19.050	½	12.70	5220	6740	IRB 68	J-98	MJ-981	SCE 98	BCE 98
BA 910 ZOH	9.9	BAM 910	10.8	9/16	14.288	¾	19.050	5/8	15.88	7050	9910	—	J-910-F	MJ-910-F	SCE 910	BCE 910
BA 912 ZOH	11.7	BAM 912	12.6	9/16	14.288	¾	19.050	¾	19.05	8690	13000	IRB 612	—	—	SCE 912	BCE 912
BA 105 ZOH	5.3	BAM 105	6.5	5/8	15.875	11/16	20.638	5/16	7.92	2870	3220	—	—	—	SCE 105	BCE 105
BA 107 ZOH	7.6	BAM 107	8.7	5/8	15.875	11/16	20.638	7/16	11.13	5040	6660	—	—	—	SCE 107	BCE 107
BA 108 ZOH	8.7	BAM 108	9.9	5/8	15.875	11/16	20.638	½	12.70	5420	7310	IRB 68-1	J-108	MJ-1081	SCE 108	BCE 108
BA 1010 ZOH	10.8	BAM 1010	12	5/8	15.875	11/16	20.638	5/8	15.88	7320	10700	—	J-1010	MJ-10101	SCE 1010	BCE 1010
BA 1012 ZOH	12.9	BAM 1012	14	5/8	15.875	11/16	20.638	¾	19.05	9020	14100	IRB 612-1	J-1012	MJ-10121	SCE 1012	BCE 1012
BA 1014 ZOH	15.1	BAM 1014	16.2	5/8	15.875	11/16	20.638	7/8	22.22	10700	17500	IRB 714	—	—	—	—
BA 1016 ZOH	17.3	BAM 1016	18.4	5/8	15.875	11/16	20.638	1	25.40	12300	20800	IRB 716	—	—	—	—
BA 116 ZOH	7	BAM 116	8.4	11/16	17.462	7/8	22.225	3/8	9.52	4530	5980	IRB 86	—	—	SCE 116	BCE 116
BA 118 ZOH	9.5	BAM 118	10.8	11/16	17.462	7/8	22.225	½	12.70	6140	8850	IRB 88	—	—	SCE 118	BCE 118
BA 1110 ZOH	11.8	BAM 1110	13.2	11/16	17.462	7/8	22.225	5/8	15.88	8280	13000	—	—	—	SCE 1110	BCE 1110
BA 1112 ZOH	14	BAM 1112	15.4	11/16	17.462	7/8	22.225	¾	19.05	10200	17000	IRB 812	J-1112	MJ-11121	SCE 1112	BCE 1112
BA 126 ZOH	10	BAM 126	11.7	¾	19.050	1	25.400	3/8	9.52	5040	5850	—	J-126	—	SCE 126	BCE 126

**SHELL TYPE
NEEDLE ROLLER BEARINGS**

Inch Dimension



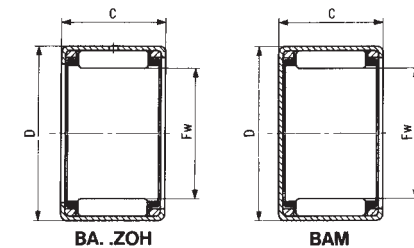
DIMENSION TABLE

INTERCHANGE TABLE

IKO NUMBER OPEN END BA..ZOH	WEIGHT (g)	IKO NUMBER CLOSED END BAM	WEIGHT (g)	DIMENSIONS						BASIC DYNAMIC LOAD RATING (N)	BASIC STATIC LOAD RATING (N)	USABLE INNER RING IRB	TORRINGTON		INA	
				Fw		D		C					OPEN END J	CLOSED END MJ	OPEN END SCE	CLOSED END BCE
				inch	mm	inch	mm	inch	mm							
BA 128 ZOH	13.5	BAM 128	15.2	3/4	19.050	1	25.400	1/2	12.70	6910	8780	IRB 88-1	J-128	—	SCE 128	BCE 128
BA 1210 ZOH	17	BAM 1210	18.6	3/4	19.050	1	25.400	5/8	15.88	9500	13200	IRB 810-1	J-1210	MJ-12101	SCE 1210	BCE 1210
BA 1212 ZOH	20.5	BAM 1212	22	3/4	19.050	1	25.400	3/4	19.05	11900	17700	IRB 812-1	J-1212	MJ-12121	SCE 1212	BCE 1212
BA 1214 ZOH	23.5	BAM 1214	25	3/4	19.050	1	25.400	7/8	22.22	14200	22200	IRB 814-1	—	—	—	—
BA 1216 ZOH	27	BAM 1216	28.5	3/4	19.050	1	25.400	1	25.40	16300	26500	IRB 816-1	—	—	—	—
BA 136 ZOH	10.7	BAM 136	12.6	13/16	20.638	1 1/16	26.988	3/8	9.52	5230	6300	—	—	—	SCE 136	BCE 136
BA 138 ZOH	14.5	BAM 138	16.4	13/16	20.638	1 1/16	26.988	1/2	12.70	7170	9450	IRB 98	—	—	SCE 138	BCE 138
BA 1310 ZOH	18.2	BAM 1310	20	13/16	20.638	1 1/16	26.988	5/8	15.88	9870	14200	IRB 910	—	—	—	—
BA 1312 ZOH	22	BAM 1312	23.5	13/16	20.638	1 1/16	26.988	3/4	19.05	12400	19000	IRB 912	—	—	SCE 1312	BCE 1312
BA 1314 ZOH	25	BAM 1314	27	13/16	20.638	1 1/16	26.988	7/8	22.22	14700	23800	IRB 914	J-1314	—	SCE 1314	BCE 1314
BA 1316 ZOH	28.5	BAM 1316	30.5	13/16	20.638	1 1/16	26.988	1	25.40	16900	28500	IRB 916	—	—	—	—
BA 1320 ZOH	35.5	BAM 1320	37.5	13/16	20.638	1 1/16	26.988	1 1/4	31.75	21200	38100	IRB 920	—	—	—	—
BA 146 ZOH	11.5	BAM 146	13.8	7/8	22.225	1 1/8	28.575	3/8	9.52	5430	6740	IRB 106	J-146	—	SCE 146	BCE 146
BA 148 ZOH	15.6	BAM 148	17.8	7/8	22.225	1 1/8	28.575	1/2	12.70	7440	10100	IRB 108	J-148	—	SCE 148	BCE 148
BA 1412ZO H	23.5	BAM 1412	26	7/8	22.225	1 1/8	28.575	3/4	19.05	12800	20400	IRB 1012	J-1412	—	SCE 1412	BCE 1412
BA 1414 ZOH	27	BAM 1414	29.5	7/8	22.225	1 1/8	28.575	7/8	22.22	15300	25500	IRB 1014	—	—	—	—
BA 1416 ZOH	31	BAM 1416	33.5	7/8	22.225	1 1/8	28.575	1	25.40	17600	30500	IRB 1016	J-1416	MJ-14161	SCE 1416	BCE 1416
BA 1418 ZOH	34.5	BAM 1418	37	7/8	22.225	1 1/8	28.575	1 1/8	28.58	19800	35600	—	—	—	—	—
BA 1422 ZOH	42.5	BAM 1422	44.5	7/8	22.225	1 1/8	28.575	1 3/8	34.92	24100	45700	IRB 1022	—	—	—	—
BA 158 ZOH	16.5	BAM 158	19	15/16	23.812	1 3/16	30.162	1/2	12.70	8000	11400	—	—	—	—	—
BA 1510 ZOH	20.5	BAM 1510	23	15/16	23.812	1 3/16	30.162	5/8	15.88	11000	17100	IRB 1110	—	—	—	—
BA 1516 ZOH	33	BAM 1516	35.5	15/16	23.812	1 3/16	30.162	1	25.40	18900	34300	IRB 1116	—	—	SCE 1516	BCE 1516
BA 166 ZOH	13.1	BAM 166	16	1	25.400	1 1/4	31.750	3/8	9.52	6010	8020	—	—	—	—	—
BA 167 ZOH	15.4	BAM 167	18.3	1	25.400	1 1/4	31.750	7/16	11.13	7720	11100	—	—	—	SCE 167	BCE 167
BA 168 ZOH	17.7	BAM 168	20.5	1	25.400	1 1/4	31.750	1/2	12.70	8240	12000	IRB 128	—	—	SCE 168	BCE 168
BA 1610 ZOH	22	BAM 1610	25	1	25.400	1 1/4	31.750	5/8	15.88	11300	18100	—	—	—	—	—
BA 1612 ZOH	26.5	BAM 1612	29.5	1	25.400	1 1/4	31.750	3/4	19.05	14200	24300	IRB 1212	J-1612	—	SCE 1612	BCE 1612
BA 1614 ZOH	31	BAM 1614	33.5	1	25.400	1 1/4	31.750	7/8	22.22	16900	30400	IRB 1214	—	—	—	—
BA 1616 ZOH	35.5	BAM 1616	38	1	25.400	1 1/4	31.750	1	25.40	19400	36300	IRB 1216	J-1616	MJ-16161	SCE 1616	BCE 1616
BA 1620 ZOH	44	BAM 1620	46.5	1	25.400	1 1/4	31.750	1 1/4	31.75	24400	48500	IRB 1220	—	—	—	—
BA 1710 ZOH	23.5	BAM 1710	26.5	1 1/16	26.988	1 5/16	33.338	5/8	15.88	11600	19200	—	—	—	—	—
BA 1716 ZOH	37	BAM 1716	40.5	1 1/16	26.988	1 5/16	33.338	1	25.40	20000	38300	—	—	—	—	—
BA 186 ZOH	14.5	BAM 186	18.1	1 1/8	28.575	1 3/8	34.925	3/8	9.52	6330	8910	—	—	—	SCE 186	BCE 186
BA 188 ZOH	19.5	BAM 188	23	1 1/8	28.575	1 3/8	34.925	1/2	12.70	8680	13400	IRB 148	J-188	MJ-1881	SCE 188	BCE 188
BA 1812 ZOH	29.5	BAM 1812	33	1 1/8	28.575	1 3/8	34.925	3/4	19.05	15000	26900	IRB 1412	J-1812	MJ-18121	SCE 1812	BCE 1812
BA 1816 ZOH	39	BAM 1816	42.5	1 1/8	28.575	1 3/8	34.925	1	25.40	20500	40300	IRB 1416	J-1816	MJ-18161	SCE 1816	BCE 1816
BA 1820 ZOH	48.5	BAM 1820	52	1 1/8	28.575	1 3/8	34.925	1 1/4	31.75	25700	53900	IRB 1420	—	—	—	—
BA 1910 ZOH	32.5	BAM 1910	37.5	1 3/16	30.162	1 1/2	38.100	5/8	15.88	15000	22500	—	—	—	—	—
BA 1916 ZOH	52	BAM 1916	57	1 3/16	30.162	1 1/2	38.100	1	25.40	25800	45300	—	—	—	SCE 1916	BCE 1916
BA 208 ZOH	21.5	BAM 208	26	1 1/4	31.750	1 1/2	38.100	1/2	12.70	9100	14700	IRB 168	—	—	SCE 208	BCE 208

**SHELL TYPE
NEEDLE ROLLER BEARINGS**

Inch Dimension



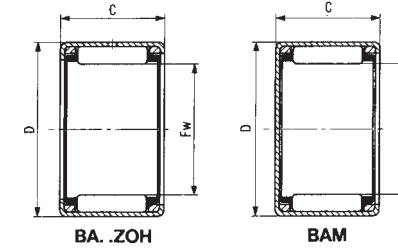
DIMENSION TABLE

INTERCHANGE TABLE

IKO NUMBER OPEN END BA..ZOH	WEIGHT (g)	IKO NUMBER CLOSED END BAM	WEIGHT (g)	DIMENSIONS						BASIC DYNAMIC LOAD RATING (N)	BASIC STATIC LOAD RATING (N)	USABLE INNER RING IRB	TORRINGTON		INA	
				Fw		D		C					OPEN END J	CLOSED END MJ	OPEN END SCE	CLOSED END BCE
				inch	mm	inch	mm	inch	mm							
BA 2010 ZOH	27	BAM 2010	31.5	1¼	31.750	1½	38.100	⅝	15.88	12500	22200	IRB 1610	—	—	SCE 2010	BCE 2010
BA 2012 ZOH	32.5	BAM 2012	37	1¼	31.750	1½	38.100	¾	19.05	15700	29600	IRB 1612	J-2012	MJ-20121	SCE 2012	BCE 2012
BA 2016 ZOH	43	BAM 2016	47.5	1¼	31.750	1½	38.100	1	25.40	21500	44300	IRB 1616	J-2016	MJ-20161	SCE 2016	BCE 2016
BA 2020 ZOH	53.5	BAM 2020	58	1¼	31.750	1½	38.100	1¼	31.75	26900	59200	IRB 1620	—	—	SCE 2020	BCE 2020
BA 218 ZOH	28.5	BAM 218	35	1⅝	33.338	1⅝	41.275	½	12.70	11100	15800	IRB 168-1	—	—	—	—
BA 2110 ZOH	35.5	BAM 2110	41.5	1⅝	33.338	1⅝	41.275	⅝	15.88	15400	23900	IRB 1610-1	—	—	SCE 2110	BCE 2110
BA 2112 ZOH	43	BAM 2112	49	1⅝	33.338	1⅝	41.275	¾	19.05	19300	32100	IRB 1612-1	—	—	—	—
BA 228 ZOH	23.5	BAM 228	29	1⅜	34.925	1⅝	41.275	½	12.70	9770	16600	IRB 188	J-228	MJ-2281	SCE 228	BCE 228
BA 2212 ZOH	35.5	BAM 2212	41	1⅜	34.925	1⅝	41.275	¾	19.05	16900	33500	IRB 1812	—	—	SCE 2212	BCE 2212
BA 2216 ZOH	47.5	BAM 2216	53	1⅜	34.925	1⅝	41.275	1	25.40	23100	50200	IRB 1816	—	—	SCE 2216	BCE 2216
BA 2220 ZOH	59	BAM 2220	64	1⅜	34.925	1⅝	41.275	1¼	31.75	28900	67100	IRB 1820	—	—	SCE 2220	BCE 2220
BA 248 ZOH	38.5	BAM 248	47.5	1½	38.100	1⅞	47.625	½	12.70	12900	17900	—	—	—	SCE 248	BCE 248
BA 2410 ZOH	48.5	BAM 2410	57.5	1½	38.100	1⅞	47.625	⅝	15.88	17800	27100	IRB 2010	—	—	SCE 2410	BCE 2410
BA 2412 ZOH	58.5	BAM 2412	67.5	1½	38.100	1⅞	47.625	¾	19.05	22500	36600	—	J-2412	MJ-24121	SCE 2412	BCE 2412
BA 2414 ZOH	69	BAM 2414	78	1½	38.100	1⅞	47.625	⅞	22.22	26700	45600	IRB 2014	—	—	SCE 2414	BCE 2414
BA 2416 ZOH	79	BAM 2416	88	1½	38.100	1⅞	47.625	1	25.40	31100	55400	IRB 2016	J-2416	MJ-24161	SCE 2416	BCE 2416
BA 2420 ZOH	97.5	BAM 2420	106	1½	38.100	1⅞	47.625	1¼	31.75	39000	74200	IRB 2020	J-2420	MJ-24201	SCE 2420	BCE 2420
BA 268 ZOH	41	BAM 268	51.5	1⅝	41.275	2	50.800	½	12.70	13700	19800	—	—	—	—	—
BA 2610 ZOH	52	BAM 2610	62.5	1⅝	41.275	2	50.800	⅝	15.88	18900	30000	IRB 2210	—	—	SCE 2610	BCE 2610
BA 2616 ZOH	85	BAM 2616	95.5	1⅝	41.275	2	50.800	1	25.40	33000	61400	—	J-2616	MJ-26161	—	—
BA 2620 ZOH	105	BAM 2620	115	1⅝	41.275	2	50.800	1¼	31.75	41400	82100	IRB 2220	—	—	SCE 2620	BCE 2620
BA 2812 ZOH	67.5	BAM 2812	79.5	1¾	44.450	2⅞	53.975	¾	19.05	25200	44500	IRB 2412	J-2812	MJ-28121	SCE 2812	BCE 2812
BA 2816 ZOH	91	BAM 2816	103	1¾	44.450	2⅞	53.975	1	25.40	34800	67400	IRB 2416	J-2816	MJ-28161	SCE 2816	BCE 2816
BA 2820 ZOH	112	BAM 2820	125	1¾	44.450	2⅞	53.975	1¼	31.75	43600	90200	—	—	—	—	—
BA 2824 ZOH	136	BAM 2824	148	1¾	44.450	2⅞	53.975	1½	38.10	52000	113000	IRB 2424	J-2824	MJ-28241	SCE 2824	BCE 2824
BA 308ZO H	47.5	BAM 308	61	1⅞	47.625	2¼	57.150	½	12.70	14700	22800	IRB 248-1	—	—	—	—
BA 3010 ZOH	60	BAM 3010	74	1⅞	47.625	2¼	57.150	⅝	15.88	20300	34500	IRB 2410-1	—	—	—	—
BA 3012 ZOH	72.5	BAM 3012	86.5	1⅞	47.625	2¼	57.150	¾	19.05	25700	46700	—	—	—	—	—
BA 3016 ZOH	97.5	BAM 3016	112	1⅞	47.625	2¼	57.150	1	25.40	35400	70600	—	J-3016	MJ-30161	—	—
BA 328 ZOH	50	BAM 328	66	2	50.800	2⅜	60.325	½	12.70	15400	24700	—	—	—	SCE 328	BCE 328
BA 3216 ZOH	104	BAM 3216	119	2	50.800	2⅜	60.325	1	25.40	37100	76500	IRB 2616	J-3216	MJ-32161	SCE 3216	BCE 3216
BA 3220 ZOH	128	BAM 3220	144	2	50.800	2⅜	60.325	1¼	31.75	46600	102000	IRB 2720	—	—	SCE 3220	BCE 3220
BA 3224 ZOH	155	BAM 3224	170	2	50.800	2⅜	60.325	1½	38.10	55500	128000	—	—	—	—	—
BAW 3228 ZOH	180	BAMW 3228	196	2	50.800	2⅜	60.325	1¾	44.45	57900	136000	IRB 2628	—	—	—	—
BA 348ZO H	53	BAM 348	70.5	2⅞	53.975	2½	63.500	½	12.70	16100	26600	—	—	—	—	—
BA 3416 ZOH	109	BAM 3416	127	2⅞	53.975	2½	63.500	1	25.40	38700	82500	IRB 3016	—	—	SCE 3416	BCE 3416
BA 3424 ZOH	162	BAM 3424	180	2⅞	53.975	2½	63.500	1½	38.10	57900	138000	IRB 3024	—	—	—	—
BA 3612 ZOH	85.5	BAM 3612	105	2¼	57.150	2⅝	66.675	¾	19.05	28500	56700	—	—	—	SCE 3612	BCE 3612
BA 3616 ZOH	115	BAM 3616	135	2¼	57.150	2⅝	66.675	1	25.40	39300	85700	—	J-3616	—	SCE 3616	BCE 3616
BA 3620 ZOH	143	BAM 3620	163	2¼	57.150	2⅝	66.675	1¼	31.75	49400	115000	—	—	—	—	—

**SHELL TYPE
NEEDLE ROLLER BEARINGS**

Inch Dimension



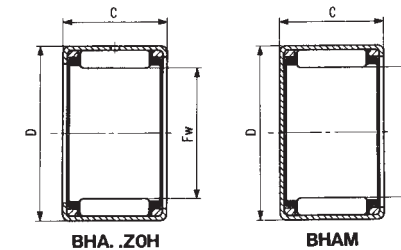
DIMENSION TABLE

INTERCHANGE TABLE

IKO NUMBER OPEN END BA..ZOH	WEIGHT (g)	IKO NUMBER CLOSED END BAM	WEIGHT (g)	DIMENSIONS						BASIC DYNAMIC LOAD RATING (N)	BASIC STATIC LOAD RATING (N)	USABLE INNER RING IRB	TORRINGTON		INA	
				Fw		D		C					OPEN END J	CLOSED END MJ	OPEN END SCE	CLOSED END BCE
				inch	mm	inch	mm	inch	mm							
BA 3624 ZOH	172	BAM 3624	192	2¼	57.150	2⅝	66.675	1½	38.10	58800	144000	—	—	—	—	—
BA 4216 ZOH	133	BAM 4216	161	2⅝	66.675	3	76.200	1	25.40	42000	97900	IRB 3616	—	—	—	—
BA 4410 ZOH	85.5	BAM 4410	115	2¾	69.850	3⅛	79.375	⅝	15.88	25000	50800	—	—	—	—	—
BA 4412 ZOH	103	BAM 4412	133	2¾	69.850	3⅛	79.375	¾	19.05	31500	68700	—	J-4412	—	SCE 4412	BCE 4412
BA 4416 ZOH	139	BAM 4416	169	2¾	69.850	3⅛	79.375	1	25.40	43500	104000	IRB 4016	—	—	—	—
BA 4420 ZOH	173	BAM 4420	205	2¾	69.850	3⅛	79.375	1¼	31.75	54600	139000	IRB 4020	—	—	—	—

**SHELL TYPE
NEEDLE ROLLER BEARINGS**

Inch Dimension



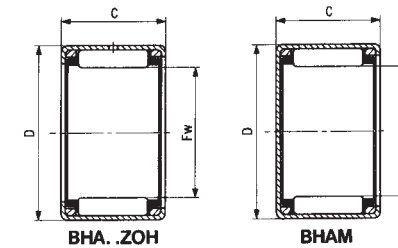
DIMENSION TABLE

INTERCHANGE TABLE

IKO NUMBER OPEN END BHA..ZOH	WEIGHT (g)	IKO NUMBER CLOSED END BHAM	WEIGHT (g)	DIMENSIONS						BASIC DYNAMIC LOAD RATING (N)	BASIC STATIC LOAD RATING (N)	USABLE INNER RING IRB	TORRINGTON		INA	
				Fw		D		C					OPEN END JH	CLOSED END MJH	OPEN END SCH	CLOSED END BCH
				inch	mm	inch	mm	inch	mm							
BHA 57 ZOH	6.3	BHAM 57	6.6	5/16	7.938	9/16	14.288	7/16	11.13	4150	3730	—	JH-57	MJH-571	SCH 57	BCH 57
BHA 68 ZOH	8.2	BHAM 68	8.6	3/8	9.525	5/8	15.875	1/2	12.70	4880	4740	—	JH-68	MJH-681	SCH 68	BCH 68
BHA 78 ZOH	9.3	BHAM 78	10	7/16	11.112	11/16	17.462	1/2	12.70	5680	5970	—	JH-78	MJH-781	SCH 78	BCH 78
BHA 87 ZOH	9.1	BHAM 87	9.9	1/2	12.700	3/4	19.050	7/16	11.13	5670	6120	—	JH-87	MJH-871	SCH 87	BCH 87
BHA 88 ZOH	10.4	BHAM 88	11.3	1/2	12.700	3/4	19.050	1/2	12.70	6040	6650	IRB 58	JH-88	MJH-881	SCH 88	BCH 88
BHA 810 ZOH	12.5	BHAM 810	13.3	1/2	12.700	3/4	19.050	5/8	15.88	8830	10900	—	—	—	SCH 810	BCH 810
BHA 812 ZOH	15	BHAM 812	15.8	1/2	12.700	3/4	19.050	3/4	19.05	11100	14500	—	JH-812	MJH-8121	SCH 812	BCH 812
BHA 98 ZOH	11.4	BHAM 98	12.5	9/16	14.288	13/16	20.638	1/2	12.70	6380	7330	IRB 68	JH-98	MJH-981	SCH 98	BCH 98
BHA 910 ZOH	13.6	BHAM 910	14.7	9/16	14.288	13/16	20.638	5/8	15.88	9280	11900	—	—	—	—	—
BHA 912 ZOH	16.3	BHAM 912	17.4	9/16	14.288	13/16	20.638	3/4	19.05	11600	15900	IRB 612	JH-912	MJH-9121	SCH 912	BCH 912
BHA 108 ZOH	12.6	BHAM 108	13.9	5/8	15.875	7/8	22.225	1/2	12.70	6680	8020	IRB 68-1	—	—	SCH 108	BCH 108
BHA 1010 ZOH	14.9	BHAM 1010	16.2	5/8	15.875	7/8	22.225	5/8	15.88	10200	13800	—	JH-1010	MJH-10101	SCH 1010	BCH 1010
BHA 1012 ZOH	18	BHAM 1012	19.3	5/8	15.875	7/8	22.225	3/4	19.05	12700	18500	IRB 612-1	—	—	SCH 1012	BCH 1012
BHA 1016 ZOH	24	BHAM 1016	25	5/8	15.875	7/8	22.225	1	25.40	17400	27600	IRB 716	JH-1016	MJH-10161	SCH 1016	BCH 1016
BHA 117 ZOH	11.9	BHAM 117	13.5	11/16	17.462	13/16	23.812	7/16	11.13	6860	8530	—	—	—	SCH 117	BCH 117
BHA 118 ZOH	13.7	BHAM 118	15.3	11/16	17.462	13/16	23.812	1/2	12.70	7320	9270	IRB 88	—	—	—	—
BHA 1110 ZOH	16	BHAM 1110	17.6	11/16	17.462	13/16	23.812	5/8	15.88	10500	14900	—	JH-1110	MJH-11101	SCH 1110	BCH 1110
BHA 1112 ZOH	19.3	BHAM 1112	21	11/16	17.462	13/16	23.812	3/4	19.05	13200	19900	IRB 812	JH-1112	MJH-11121	SCH 1112	BCH 1112
BHA 1212 ZOH	26.5	BHAM 1212	28.5	3/4	19.050	11/16	26.988	3/4	19.05	16600	22600	IRB 812-1	JH-1212	MJH-12121	SCH 1212	BCH 1212
BHA 138 ZOH	20	BHAM 138	22.5	13/16	20.638	11/8	28.575	1/2	12.70	9500	11200	IRB 98	—	—	—	—
BHA 1310 ZOH	23.5	BHAM 1310	25.5	13/16	20.638	11/8	28.575	5/8	15.88	13800	18200	IRB 910	—	—	—	—
BHA 1312 ZOH	28.5	BHAM 1312	30.5	13/16	20.638	11/8	28.575	3/4	19.05	17300	24400	IRB 912	JH-1312	MJH-13121	SCH 1312	BCH 1312
BHA 1410 ZOH	25	BHAM 1410	27.5	7/8	22.225	13/16	30.162	5/8	15.88	14300	19500	—	—	—	SCH 1410	BCH 1410
BHA 1412 ZOH	30	BHAM 1412	32.5	7/8	22.225	13/16	30.162	3/4	19.05	18000	26100	IRB 1012	JH-1412	MJH-14121	SCH 1412	BCH 1412
BHA 1416 ZOH	39.5	BHAM 1416	42	7/8	22.225	13/16	30.162	1	25.40	23600	36900	IRB 1016	JH-1416	MJH-14161	SCH 1416	BCH 1416
BHA 168 ZOH	24	BHAM 168	27	1	25.400	15/16	33.338	1/2	12.70	10200	13100	IRB 128	—	—	SCH 168	BCH 168
BHA 1610 ZOH	28	BHAM 1610	31	1	25.400	15/16	33.338	5/8	15.88	15300	22100	—	—	—	SCH 1610	BCH 1610
BHA 1612 ZOH	33.5	BHAM 1612	37	1	25.400	15/16	33.338	3/4	19.05	19300	29700	IRB 1212	JH-1612	MJH-16121	SCH 1612	BCH 1612
BHA 1614 ZOH	39.5	BHAM 1614	42.5	1	25.400	15/16	33.338	7/8	22.22	23000	37200	IRB 1214	—	—	—	—
BHA 1616 ZOH	45	BHAM 1616	48	1	25.400	15/16	33.338	1	25.40	26400	44500	IRB 1216	JH-1616	MJH-16161	SCH 1616	BCH 1616
BHA 1620 ZOH	56.5	BHAM 1620	59.5	1	25.400	15/16	33.338	1 1/4	31.75	33200	59600	IRB 1220	—	—	SCH 1620	BCH 1620
BHA 1624 ZOH	67.5	BHAM 1624	71	1	25.400	15/16	33.338	1 1/2	38.10	39400	74400	—	—	—	SCH 1624	BCH 1624
BHA 1812 ZOH	45	BHAM 1812	49	1 1/8	28.575	1 1/2	38.100	3/4	19.05	22500	32200	IRB 1412	JH-1812	MJH-18121	SCH 1812	BCH 1812
BHA 1816 ZOH	60	BHAM 1816	64	1 1/8	28.575	1 1/2	38.100	1	25.40	30900	48600	IRB 1416	JH-1816	MJH-18161	SCH 1816	BCH 1816
BHA 1818 ZOH	67.5	BHAM 1818	71.5	1 1/8	28.575	1 1/2	38.100	1 1/8	28.58	34900	56600	—	JH-1818	MJH-18181	SCH 1818	BCH 1818
BHA 1820 ZOH	73.5	BHAM 1820	78	1 1/8	28.575	1 1/2	38.100	1 1/4	31.75	37100	61100	IRB 1420	—	—	SCH 1820	BCH 1820
BHA 208 ZOH	34.5	BHAM 208	40	1 1/4	31.750	15/8	41.275	1/2	12.70	13700	17600	IRB 168	—	—	SCH 208	BCH 208
BHA 2012 ZOH	49.5	BHAM 2012	54.5	1 1/4	31.750	15/8	41.275	3/4	19.05	24100	36400	IRB 1612	JH-2012	—	SCH 2012	BCH 2012
BHA 2016 ZOH	66	BHAM 2016	71	1 1/4	31.750	15/8	41.275	1	25.40	33200	55000	IRB 1616	JH-2016	MJH-20161	SCH 2016	BCH 2016
BHA 2020 ZOH	81.5	BHAM 2020	86.5	1 1/4	31.750	15/8	41.275	1 1/4	31.75	40000	69600	IRB 1620	JH-2020	—	SCH 2020	BCH 2020

**SHELL TYPE
NEEDLE ROLLER BEARINGS**

Inch Dimension



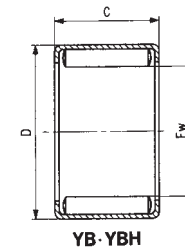
DIMENSION TABLE

INTERCHANGE TABLE

IKO NUMBER OPEN END BHA..ZOH	WEIGHT (g)	IKO NUMBER CLOSED END BHAM	WEIGHT (g)	DIMENSIONS						BASIC DYNAMIC LOAD RATING (N)	BASIC STATIC LOAD RATING (N)	USABLE INNER RING IRB	TORRINGTON		INA	
				Fw		D		C					OPEN END JH	CLOSED END MJH	OPEN END SCH	CLOSED END BCH
				inch	mm	inch	mm	inch	mm							
BHA 228 ZOH	37	BHAM 228	43	1 ³ / ₈	34.925	1 ³ / ₄	44.450	1/2	12.70	14100	18800	IRB 188	—	—	SCH 228	BCH 228
BHA 2210 ZOH	44	BHAM 2210	50	1 ³ / ₈	34.925	1 ³ / ₄	44.450	5/8	15.88	19700	28800	—	—	—	—	—
BHA 2212 ZOH	53	BHAM 2212	59	1 ³ / ₈	34.925	1 ³ / ₄	44.450	3/4	19.05	24800	38800	IRB 1812	JH-2212	MJH-22121	SCH 2212	BCH 2212
BHA 2216 ZOH	71	BHAM 2216	77	1 ³ / ₈	34.925	1 ³ / ₄	44.450	1	25.40	34100	58400	IRB 1816	JH-2216	MJH-22161	SCH 2216	BCH 2216
BHA 2220 ZOH	87	BHAM 2220	98.5	1 ³ / ₈	34.925	1 ³ / ₄	44.450	1 ¹ / ₄	31.75	41200	74200	IRB 1820	—	—	—	—
BHA 2824 ZOH	195	BHAM 2824	210	1 ³ / ₄	44.450	2 ¹ / ₄	57.150	1 ¹ / ₂	38.10	72200	135000	IRB 2424	—	—	—	—
BHA 3312 ZOH	104	BHAM 3312	122	2 ¹ / ₁₆	52.388	2 ¹ / ₃₂	64.294	3/4	19.05	36400	62100	—	—	—	—	—
BHA 3316 ZOH	139	BHAM 3316	157	2 ¹ / ₁₆	52.388	2 ¹ / ₃₂	64.294	1	25.40	50600	94700	—	—	—	—	—
BHA 3324 ZOH	205	BHAM 3324	225	2 ¹ / ₁₆	52.388	2 ¹ / ₃₂	64.294	1 ¹ / ₂	38.10	73900	154000	—	—	—	—	—

**SHELL TYPE
NEEDLE ROLLER BEARINGS**

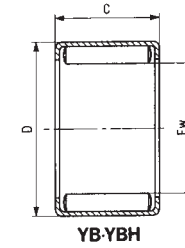
Inch Dimension



DIMENSION TABLE

INTERCHANGE TABLE

IKO NUMBER OPEN END YB, YBH	WEIGHT (g)	DIMENSIONS						BASIC DYNAMIC LOAD RATING (N)	BASIC STATIC LOAD RATING (N)	USABLE INNER RING IRB	TORRINGTON Y	INA SN	KAYDON KN
		Fw		D		C							
		inch	mm	inch	mm	inch	mm						
YB 2.5 2.5	0.64	5/32	3.969	9/32	7.144	5/32	3.96	1350	1220	—	Y-2 1/2 2 1/2	—	—
YB 2.5 4	0.96	5/32	3.969	9/32	7.144	1/4	6.35	2320	2440	—	Y-2 1/2 4	—	—
YB 34	1.6	3/16	4.762	11/32	8.731	1/4	6.35	2770	2700	—	Y-34	—	KN-035504
YB 45	3.2	1/4	6.350	7/16	11.112	5/16	7.92	4450	4870	—	Y-45	—	KN-040705
YB 47	4.6	1/4	6.350	7/16	11.112	7/16	11.13	6320	7650	—	Y-47	—	—
YB 55	3.8	5/16	7.938	1/2	12.700	5/16	7.92	5110	6090	—	Y-55	SN 55	KN-050805
YB 64	3.4	3/8	9.525	9/16	14.288	1/4	6.35	4470	5360	—	Y-64	SN 64	KN-060904
YB 66	5.3	3/8	9.525	9/16	14.288	3/8	9.52	6920	9410	—	Y-66	SN 66	KN-060906
YB 68	7.2	3/8	9.525	9/16	14.288	1/2	12.70	9210	13600	—	Y-68	SN 68	KN-060908
YB 610	9.1	3/8	9.525	9/16	14.288	5/8	15.88	11300	17800	—	Y-610	SN 610	KN-060910
YB 78	8.2	7/16	11.112	5/8	15.875	1/2	12.70	10100	15900	—	Y-78	SN 78	KN-071008
YBH 78	10.5	7/16	11.112	11/16	17.462	1/2	12.70	12500	15800	—	YH-78	—	—
YB 84	4.3	1/2	12.700	11/16	17.462	1/4	6.35	5260	7150	—	Y-84	—	—
YB 86	6.7	1/2	12.700	11/16	17.462	3/8	9.52	8150	12600	—	Y-86	SN 86	KN-081106
YB 87	7.9	1/2	12.700	11/16	17.462	7/16	11.13	9530	15300	—	Y-87	—	KN-081107
YB 88	9.1	1/2	12.700	11/16	17.462	1/2	12.70	10800	18100	IRB 58	Y-88	SN 88	KN-081108
YB 810	11.5	1/2	12.700	11/16	17.462	5/8	15.88	13400	23700	—	Y-810	SN 810	KN-081110
YB 812	13.9	1/2	12.700	11/16	17.462	3/4	19.05	15800	29300	—	Y-812	SN 812	KN-081112
YBH 810	16	1/2	12.700	3/4	19.050	5/8	15.88	16300	23500	—	YH-810	—	—
YB 98	10.1	9/16	14.288	3/4	19.050	1/2	12.70	11600	20400	IRB 68	Y-98	SN 98	KN-091208
YB 910	12.7	9/16	14.288	3/4	19.050	5/8	15.88	14300	26700	—	Y-910	—	KN-091210
YB 912	15.4	9/16	14.288	3/4	19.050	3/4	19.05	16800	33000	IRB 612	Y-912	—	KN-091212
YB 105	6.7	5/8	15.875	11/16	20.638	5/16	7.92	7580	12200	—	Y-105	—	KN-101305
YB 108	11	5/8	15.875	11/16	20.638	1/2	12.70	12300	22700	IRB 68-1	Y-108	SN 108	KN-101308
YB 1012	16.9	5/8	15.875	11/16	20.638	3/4	19.05	17800	36600	IRB 612-1	Y-1012	—	KN-101312
YBH 108	15.3	5/8	15.875	7/8	22.225	1/2	12.70	15000	22400	IRB 68-1	YH-108	—	KN-101408
YB 1112	18.3	11/16	17.462	7/8	22.225	3/4	19.05	18700	40300	IRB 812	Y-1112	SN 1112	KN-111412
YB 124	8.5	3/4	19.050	1	25.400	1/4	6.35	7820	10200	—	Y-124	—	—
YB 128	17.8	3/4	19.050	1	25.400	1/2	12.70	16600	26900	IRB 88-1	Y-128	SN 128	KN-121608
YB 1210	22.5	3/4	19.050	1	25.400	5/8	15.88	20500	35300	IRB 810-1	Y-1210	SN 1210	KN-121610
YB 1212	27	3/4	19.050	1	25.400	3/4	19.05	24100	43400	IRB 812-1	Y-1212	SN 1212	KN-121612
YB 136	14.1	11/16	20.638	1 1/16	26.988	3/8	9.52	13000	20100	—	Y-136	—	—
YB 138	19.1	11/16	20.638	1 1/16	26.988	1/2	12.70	17400	29200	IRB 98	Y-138	—	—
YBH 1310	30.5	11/16	20.638	1 1/8	28.575	5/8	15.88	22900	36300	IRB 910	YH-1310	—	—
YBH 1312	37	11/16	20.638	1 1/8	28.575	3/4	19.05	27200	45300	IRB 912	YH-1312	—	—
YB 148	20.5	7/8	22.225	1 1/8	28.575	1/2	12.70	18100	31400	IRB 108	Y-148	SN 148	KN-141808
YB 1412	31	7/8	22.225	1 1/8	28.575	3/4	19.05	26300	50700	IRB 1012	Y-1412	SN 1412	—
YB 1416	41.5	7/8	22.225	1 1/8	28.575	1	25.40	33800	70200	IRB 1016	Y-1416	SN 1416	KN-141816
YBH 1412	39	7/8	22.225	1 3/8	30.162	3/4	19.05	28200	49000	IRB 1012	YH-1412	—	—
YB 168	23	1	25.400	1 1/4	31.750	1/2	12.70	19400	36000	IRB 128	Y-168	—	—



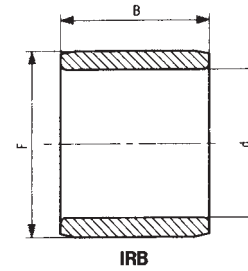
DIMENSION TABLE

INTERCHANGE TABLE

IKO NUMBER OPEN END YB, YBH	WEIGHT (g)	DIMENSIONS						BASIC DYNAMIC LOAD RATING (N)	BASIC STATIC LOAD RATING (N)	USABLE INNER RING IRB	TORRINGTON	INA	KAYDON
		Fw		D		C					Y	SN	KN
		inch	mm	inch	mm	inch	mm						
YB 1612	34.5	1	25.400	1¼	31.750	¾	19.05	28200	58000	IRB 1212	Y-1612	SN 1612	KN-162012
YB 1616	46.5	1	25.400	1¼	31.750	1	25.40	36300	80300	IRB 1216	Y-1616	SN 1616	KN-162016
YBH 168	29	1	25.400	1⅝	33.338	½	12.70	20900	34100	IRB 128	YH-168	—	KN-162108
YBH 1612	44.5	1	25.400	1⅝	33.338	¾	19.05	30700	56100	IRB 1212	YH-1612	—	—
YBH 1616	59.5	1	25.400	1⅝	33.338	1	25.40	39900	78400	IRB 1216	YH-1616	—	—
YB 188	25.5	1⅞	28.575	1⅜	34.925	½	12.70	20700	40500	IRB 148	Y-188	SN 188	KN-182208
YB 1812	38.5	1⅞	28.575	1⅜	34.925	¾	19.05	30000	65300	IRB 1412	Y-1812	SN 1812	—
YB 1816	51.5	1⅞	28.575	1⅜	34.925	1	25.40	38700	90400	IRB 1416	Y-1816	SN 1816	KN-182216
YB 1910	42.5	1⅞	30.162	1½	38.100	⅝	15.88	28400	53600	—	Y-1910	—	—
YB 2010	35	1¼	31.750	1½	38.100	⅝	15.88	27000	59000	IRB 1610	Y-2010	—	—
YB 2012	42.5	1¼	31.750	1½	38.100	¾	19.05	31800	72500	IRB 1612	Y-2012	SN 2012	KN-202412
YB 2016	57	1¼	31.750	1½	38.100	1	25.40	40900	100000	IRB 1616	Y-2016	SN 2016	KN-202416
YB 2018	64	1¼	31.750	1½	38.100	1⅞	28.58	45300	114000	—	Y-2018	—	KN-202418
YB 2020	68	1¼	31.750	1½	38.100	1¼	31.75	49400	128000	IRB 1620	Y-2020	—	KN-202420
YB 228	30.5	1⅜	34.925	1⅝	41.275	½	12.70	23000	49500	IRB 188	Y-228	SN 228	—
YB 2212	46	1⅜	34.925	1⅝	41.275	¾	19.05	33400	79800	IRB 1812	Y-2212	SN 2212	KN-222612
YB 2220	77.5	1⅜	34.925	1⅝	41.275	1¼	31.75	52000	141000	IRB 1820	Y-2220	—	—
YB 246	38	1½	38.100	1⅞	47.625	⅜	9.52	21000	34100	—	Y-246	—	—
YB 248	51.5	1½	38.100	1⅞	47.625	½	12.70	28700	50900	—	Y-248	—	—
YB 2414	91	1½	38.100	1⅞	47.625	⅞	22.22	48900	101000	IRB 2014	Y-2414	SN 2414	—
YB 2416	105	1½	38.100	1⅞	47.625	1	25.40	55100	118000	IRB 2016	Y-2416	SN 2416	—
YB 2420	131	1½	38.100	1⅞	47.625	1¼	31.75	66800	151000	IRB 2020	Y-2420	SN 2420	KN-243020
YB 2610	69	1⅝	41.275	2	50.800	⅝	15.88	37000	71700	IRB 2210	Y-2610	SN 2610	—
YB 2816	119	1¾	44.450	2⅞	53.975	1	25.40	59500	136000	IRB 2416	Y-2816	—	—
YB 3012	95	1⅞	47.625	2¼	57.150	¾	19.05	47800	105000	—	Y-3012	—	—
YB 3216	130	2	50.800	2⅜	60.325	1	25.40	64100	156000	IRB 2616	Y-3216	—	KN-323816

**INNER RINGS FOR SHELL TYPE
NEEDLE ROLLER BEARINGS**

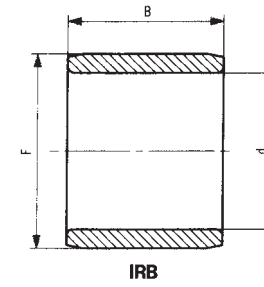
Inch Dimension



DIMENSION TABLE

INTERCHANGE TABLE

IKO NUMBER	WEIGHT	DIMENSIONS					USABLE BEARING NUMBER				TORRINGTON	INA
		d		F		B	BA	BHA	YB	YBH		
IRB	(g)	inch	mm	inch	mm	mm						
IRB 58	8	5/16	7.938	1/2	12.7	12.95	BA 88 ZOH	BHA 88 ZOH	YB 88	—	—	SI 58
IRB 68	8.9	3/8	9.525	9/16	14.288	12.95	BA 98 ZOH	BHA 98 ZOH	YB 98	—	IR-68	SI 68
IRB 68-1	12.6	3/8	9.525	5/8	15.875	12.95	BA 108 ZOH	BHA 108 ZOH	YB 108	YBH 108	IR-68-1	SI 68-1
IRB 612	13.2	3/8	9.525	9/16	14.288	19.3	BA 912 ZOH	—	YB 912	—	IR-612	—
IRB 612-1	18.8	3/8	9.525	5/8	15.875	19.3	BA 1012 ZOH	BHA 1012 ZOH	YB 1012	—	IR-612-1	SI 612-1
IRB 78	10.1	7/16	11.112	5/8	15.875	12.95	BA 108 ZOH	BHA 108 ZOH	YB 108	YBH 108	—	—
IRB 712	15	7/16	11.112	5/8	15.875	19.3	BA 1012 ZOH	—	YB 1012	—	—	—
IRB 714	17.4	7/16	11.112	5/8	15.875	22.475	BA 1014 ZOH	—	—	—	—	—
IRB 716	19.9	7/16	11.112	5/8	15.875	25.65	BA 1016 ZOH	BHA 1016 ZOH	—	—	—	—
IRB 86	8.5	1/2	12.7	11/16	17.462	9.775	BA 116 ZOH	—	—	—	—	—
IRB 88	11.2	1/2	12.7	11/16	17.462	12.95	BA 118 ZOH	—	—	—	—	—
IRB 812	16.7	1/2	12.7	11/16	17.462	19.3	BA 1112 ZOH	—	YB 1112	—	—	—
IRB 88-1	15.8	1/2	12.7	3/4	19.05	12.95	BA 128 ZOH	—	YB 128	—	IR-88	SI 88
IRB 810-1	19.6	1/2	12.7	3/4	19.05	16.125	BA 1210 ZOH	—	YB 1210	—	—	SI 810
IRB 812-1	23.5	1/2	12.7	3/4	19.05	19.3	BA 1212 ZOH	—	YB 1212	—	IR-812	SI 812
IRB 814-1	27.5	1/2	12.7	3/4	19.05	22.475	BA 1214 ZOH	—	—	—	—	—
IRB 816-1	31	1/2	12.7	3/4	19.05	25.65	BA 1216 ZOH	—	—	—	—	—
IRB 98	17.3	9/16	14.288	11/16	20.638	12.95	BA 138 ZOH	—	YB 138	—	—	—
IRB 910	21.5	9/16	14.288	11/16	20.638	16.125	BA 1310 ZOH	—	—	YBH 1310	—	—
IRB 912	26	9/16	14.288	11/16	20.638	19.3	BA 1312 ZOH	BHA 1312 ZOH	—	YBH 1312	—	—
IRB 914	30	9/16	14.288	11/16	20.638	22.475	BA 1314 ZOH	—	—	—	—	—
IRB 916	34.5	9/16	14.288	11/16	20.638	25.65	BA 1316 ZOH	—	—	—	—	—
IRB 920	43	9/16	14.288	11/16	20.638	32	BA 1320 ZOH	—	—	—	—	—
IRB 106	14.5	5/8	15.875	7/8	22.225	9.775	BA 146 ZOH	—	—	—	—	SI 106
IRB 108	18.9	5/8	15.875	7/8	22.225	12.95	BA 148 ZOH	—	YB 148	—	—	SI 108
IRB 1012	28	5/8	15.875	7/8	22.225	19.3	BA 1412 ZOH	BHA 1412 ZOH	YB 1412	—	IR-1012	SI 1012
IRB 1014	33	5/8	15.875	7/8	22.225	22.475	BA 1414 ZOH	—	—	—	—	—
IRB 1016	37.5	5/8	15.875	7/8	22.225	25.65	BA 1416 ZOH	BHA 1416 ZOH	YB 1416	—	IR-1016	SI 1016
IRB 1022	51.5	5/8	15.875	7/8	22.225	35.175	BA 1422 ZOH	—	—	—	—	—
IRB 1110	25.5	11/16	17.462	11/16	23.812	16.125	BA 1510 ZOH	—	—	—	—	—
IRB 1116	40.5	11/16	17.462	11/16	23.812	25.65	BA 1516 ZOH	—	—	—	—	—
IRB 128	22	3/4	19.05	1	25.4	12.95	BA 168 ZOH	BHA 168 ZOH	YB 168	YBH 168	IR-128	SI 128
IRB 1212	33	3/4	19.05	1	25.4	19.3	BA 1612 ZOH	BHA 1612 ZOH	YB 1612	YBH 1612	IR-1212	SI 1212
IRB 1214	38.5	3/4	19.05	1	25.4	22.475	BA 1614 ZOH	—	—	—	—	—
IRB 1216	43.5	3/4	19.05	1	25.4	25.65	BA 1616 ZOH	BHA 1616 ZOH	YB 1616	YBH 1616	IR-1216	SI 1216
IRB 1220	54.5	3/4	19.05	1	25.4	32	BA 1620 ZOH	—	—	—	IR-1220	SI 1220
IRB 1316	34	11/16	20.638	1	25.4	25.65	BA 1616 ZOH	BHA 1616 ZOH	YB 1616	YBH 1616	IR-1316	—
IRB 148	25	7/8	22.225	1 1/8	28.575	12.95	BA 188 ZOH	—	YB 188	—	—	SI 148
IRB 1412	37.5	7/8	22.225	1 1/8	28.575	19.3	BA 1812 ZOH	BHA 1812 ZOH	YB 1812	—	—	SI 1412
IRB 1416	50	7/8	22.225	1 1/8	28.575	25.65	BA 1816 ZOH	BHA 1816 ZOH	YB 1816	—	IR-1416	SI 1416

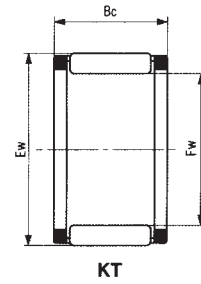


DIMENSION TABLE

INTERCHANGE TABLE

IRB NUMBER	WEIGHT (g)	DIMENSIONS					USABLE BEARING NUMBER				TORRINGTON	INA
		d		F		B	BA	BHA	YB	YBH	IR	SI
IRB	(g)	inch	mm	inch	mm	mm	BA	BHA	YB	YBH	IR	SI
IRB 1420	62.5	7/8	22.225	1 1/8	28.575	32	BA 1820 ZOH	BHA 1820 ZOH	—	—	—	SI 1420
IRB 168	28.5	1	25.4	1 1/4	31.75	12.95	BA 208 ZOH	—	—	—	—	—
IRB 1610	35.5	1	25.4	1 1/4	31.75	16.125	BA 2010 ZOH	—	YB 2010	—	—	—
IRB 1612	42.5	1	25.4	1 1/4	31.75	19.3	BA 2012 ZOH	—	YB 2012	—	IR-1612	SI 1612
IRB 1616	56	1	25.4	1 1/4	31.75	25.65	BA 2016 ZOH	BHA 2016 ZOH	YB 2016	—	IR-1616	SI 1616
IRB 1620	70	1	25.4	1 1/4	31.75	32	BA 2020 ZOH	—	—	—	—	SI 1620
IRB 168-1	36.5	1	25.4	1 5/16	33.338	12.95	BA 218 ZOH	—	—	—	—	—
IRB 1610-1	45.5	1	25.4	1 5/16	33.338	16.125	BA 2110 ZOH	—	—	—	—	—
IRB 1612-1	54.5	1	25.4	1 5/16	33.338	19.3	BA 2112 ZOH	—	—	—	—	—
IRB 188	31.5	1 1/8	28.575	1 3/8	34.925	12.95	BA 228 ZOH	—	YB 228	—	—	SI 188
IRB 1812	47	1 1/8	28.575	1 3/8	34.925	19.3	BA 2212 ZOH	BHA 2212 ZOH	YB 2212	—	IR-1812	SI 1812
IRB 1816	62.5	1 1/8	28.575	1 3/8	34.925	25.65	BA 2216 ZOH	BHA 2216 ZOH	—	—	IR-1816	SI 1816
IRB 1820	78	1 1/8	28.575	1 3/8	34.925	32	BA 2220 ZOH	—	YB 2220	—	IR-1820	SI 1820
IRB 2010	43	1 1/4	31.75	1 1/2	38.1	16.125	BA 2410 ZOH	—	—	—	—	—
IRB 2014	60	1 1/4	31.75	1 1/2	38.1	22.475	BA 2414 ZOH	—	YB 2414	—	—	—
IRB 2016	68.5	1 1/4	31.75	1 1/2	38.1	25.65	BA 2416 ZOH	—	YB 2416	—	IR-2016	SI 2016
IRB 2020	85.5	1 1/4	31.75	1 1/2	38.1	32	BA 2420 ZOH	—	YB 2420	—	IR-2020	SI 2020
IRB 2210	47	1 3/8	34.925	1 5/8	41.275	16.125	BA 2610 ZOH	—	YB 2610	—	—	SI 2210
IRB 2220	93.5	1 3/8	34.925	1 5/8	41.275	32	BA 2620 ZOH	—	—	—	IR-2220	SI 2220
IRB 2316	99	1 7/8	36.512	1 3/4	44.45	25.65	BA 2816 ZOH	—	—	—	IR-2316	—
IRB 2412	62	1 1/2	38.1	1 3/4	44.45	19.3	BA 2812 ZOH	—	—	—	—	SI 2412
IRB 2416	81	1 1/2	38.1	1 3/4	44.45	25.65	BA 2816 ZOH	—	YB 2816	—	IR-2416	SI 2416
IRB 2424	121	1 1/2	38.1	1 3/4	44.45	38.35	BA 2824 ZOH	BHA 2824 ZOH	—	—	IR-2424	—
IRB 248-1	64	1 1/2	38.1	1 7/8	47.625	12.95	BA 308 ZOH	—	—	—	—	—
IRB 2410-1	79.5	1 1/2	38.1	1 7/8	47.625	16.125	BA 3010 ZOH	—	—	—	—	—
IRB 2616	136	1 5/8	41.275	2	50.8	25.65	BA 3216 ZOH	—	—	—	—	—
IRB 2628	235	1 5/8	41.275	2	50.8	44.7	BAW 3228 ZOH	—	—	—	—	—
IRB 2720	146	1 1/16	42.862	2	50.8	32	BA 3220 ZOH	—	—	—	—	SI 2720
IRB 3016	100	1 7/8	47.625	2 1/8	53.975	25.65	BA 3416 ZOH	—	—	—	—	—
IRB 3024	149	1 7/8	47.625	2 1/8	53.975	38.35	BA 3424 ZOH	—	—	—	IR-3024	—
IRB 3616	183	2 1/4	57.15	2 5/8	66.675	25.65	BA 4216 ZOH	—	—	—	—	—
IRB 4016	131	2 1/2	63.5	2 3/4	69.85	25.65	BA 4416 ZOH	—	—	—	IR-4016	—
IRB 4020	164	2 1/2	63.5	2 3/4	69.85	32	BA 4420 ZOH	—	—	—	—	—

NEEDLE ROLLER CAGES
Metric Dimension



DIMENSION TABLE

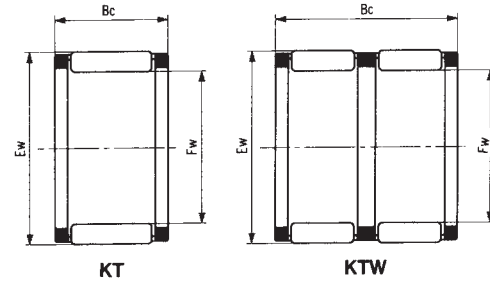
INTERCHANGE TABLE

IKO NUMBER KT	WEIGHT (g)	DIMENSIONS (mm)			BASIC DYNAMIC LOAD RATING (N)	BASIC STATIC LOAD RATING (N)	INA	SKF	TORRINGTON	FAG
		Fw	Ew	Bc			K	K	FWJV	K
KT 367 N	0.39	3	6	7	1480	990	K 3×6×7 TN	K 3×6×7 TN	—	K 3×6×7 TN
KT 477 N	0.47	4	7	7	1800	1300	K 4×7×7 TN	K 4×7×7 TN	—	K 4×7×7 TN
KT 587	0.89	5	8	7	2070	1600	—	—	—	—
KT 588 N	0.66	5	8	8	2420	1950	K 5×8×8 TN	K 5×8×8 TN	—	K 5×8×8 TN
KT 697 N	0.63	6	9	7	2310	1900	—	—	—	—
KT 698 N	0.75	6	9	8	2700	2320	K 6×9×8 TN	K 6×9×8 TN	—	K 6×9×8
KT 6910	1.45	6	9	10	3010	2660	K 6×9×10 TN	K 6×9×10 TN	—	K 6×9×10 TN
KT 61013	2.7	6	10	13	4410	3720	K 6×10×13 TN	K 6×10×13 TN	—	—
KT 7108 N	0.86	7	10	8	2960	2690	K 7×10×8 TN	K 7×10×8 TN	—	K 7×10×8 TN
KT 71010	1.69	7	10	10	3340	3130	K 7×10×10 TN	K 7×10×10 TN	—	K 7×10×10 TN
KT 8118 N	0.96	8	11	8	3190	3060	K 8×11×8 TN	K 8×11×8 TN	—	K 8×11×8 FV
KT 81110	1.9	8	11	10	3630	3600	K 8×11×10 TN	K 8×11×10 TN	—	K 8×11×10 F
KT 81113	2.5	8	11	13	4500	4750	K 8×11×13 TN	K 8×11×13 TN	—	K 8×11×13 F
KT 8128	2.1	8	12	8	3630	3040	—	—	—	—
KT 81211	3	8	12	11	4630	4170	—	—	—	—
KT 91210	2.1	9	12	10	3900	4070	K 9×12×10 TN	K 9×12×10 TN	—	K 9×12×10 FV
KT 91213	2.8	9	12	13	4840	5370	K 9×12×13 TN	K 9×12×13 TN	—	K 9×12×13 F
KT 10138	1.9	10	13	8	3370	3470	—	—	—	—
KT 101310	2.3	10	13	10	4160	4550	K 10×13×10 TN	K 10×13×10 TN	—	K 10×13×10
KT 101313	3	10	13	13	5160	6000	K 10×13×13 TN	K 10×13×13 TN	—	K 10×13×13 F
KT 101410	3.2	10	14	10	4900	4680	K 10×14×10 TN	K 10×14×10 TN	—	K 10×14×10
KT 101412	3.8	10	14	12	5940	6000	—	—	—	—
KT 101413	4.2	10	14	13	6100	6200	K 10×14×13 TN	K 10×14×13 TN	—	K 10×14×13
KT 101415	4.8	10	14	15	7080	7520	—	—	—	—
KT 111410	2.5	11	14	10	4400	5020	—	K 11×14×10 TN	—	K 11×14×10 F
KT 12158	2.2	12	15	8	3750	4200	—	—	—	—
KT 121510	2.7	12	15	10	4620	5490	K 12×15×10 TN	K 12×15×10 TN	—	K 12×15×10
KT 121512	3.2	12	15	12	5590	7020	—	—	—	—
KT 121513	3.6	12	15	13	5730	7250	K 12×15×13 TN	K 12×15×13 TN	—	K 12×15×13
KT 121514	3.8	12	15	14	6200	8010	—	—	—	—
KT 121610	4	12	16	10	5650	5890	K 12×16×10	K 12×16×10	—	K 12×16×10
KT 121613	5.2	12	16	13	7020	7800	K 12×16×13 TN	K 12×16×13 TN	—	K 12×16×13 F
KT 121618	7	12	16	18	9790	11900	—	—	—	—
KT 121710	5.1	12	17	10	6170	5740	—	—	—	—
KT 121812	7.8	12	18	12	9030	8460	K 12×18×12 TN	K 12×18×12	—	K 12×18×12 F
KT 121820	13.2	12	18	20	13700	14400	—	—	—	—
KT 131710	4.3	13	17	10	5990	6500	—	—	—	K 13×17×10
KT 131815	8.2	13	18	15	9660	10400	—	K 13×18×15	—	K 13×18×15F
KT 131816	8.7	13	18	16	10300	11400	—	—	—	—
KT 14188	3.7	14	18	8	5110	5410	—	—	—	K 14×18×8 F

DIMENSION TABLE

INTERCHANGE TABLE

IKO NUMBER KT	WEIGHT (g)	DIMENSIONS (mm)			BASIC DYNAMIC LOAD RATING (N)	BASIC STATIC LOAD RATING (N)	INA	SKF	TORRINGTON	FAG
		Fw	Ew	Bc			K	K	FWJV	K
KT 141810	4.6	14	18	10	6320	7110	K 14×18×10	K 14×18×10	—	K 14×18×10
KT 141811	5.2	14	18	11	6520	7410	—	—	—	—
KT 141813	6	14	18	13	7860	9410	K 14×18×13	K 14×18×13	—	K 14×18×13
KT 141816	7.3	14	18	16	9750	12400	—	—	—	K 14×18×16 CH
KT 141910	5.9	14	19	10	7130	7180	—	—	—	—
KT 141916	9.4	14	19	16	11100	12600	—	—	—	—
KT 141918	10.5	14	19	18	12400	14700	—	—	—	K 14×19×18 F
KT 142012	8.7	14	20	12	9790	9680	K 14×20×12	K 14×20×12	—	K 14×20×12
KT 142017	12.4	14	20	17	13300	14400	—	—	—	—
KT 15199	4.4	15	19	9	6120	6950	—	—	—	—
KT 151910	4.9	15	19	10	6630	7720	K 15×19×10	K 15×19×10	—	K 15×19×10
KT 151911	5.5	15	19	11	6850	8040	—	—	—	K 15×19×11
KT 151913	6.4	15	19	13	8250	10200	K 15×19×13	K 15×19×13	—	K 15×19×13
KT 151917	8.2	15	19	17	10900	14600	K 15×19×17	K 15×19×17	—	K 15×19×17
KT 151918	8.7	15	19	18	11500	15600	—	—	—	—
KT 152010	6.3	15	20	10	7580	7920	—	—	—	—
KT 152115	11.9	15	21	15	12600	13500	K 15×21×15	K 15×21×15	—	K 15×21×15 F
KT 162010	5.2	16	20	10	6930	8330	K 16×20×10	K 16×20×10	—	K 16×20×10
KT 162013	6.8	16	20	13	8620	11000	K 16×20×13	K 16×20×13	FWJV-162013	K 16×20×13
KT 162016	8.3	16	20	16	10700	14600	—	—	—	—
KT 162017	8.7	16	20	17	11400	15700	K 16×20×17	K 16×20×17	—	K 16×20×17 F
KT 162118	12	16	21	18	14000	17700	—	—	—	—
KT 162120	13.6	16	21	20	14700	18900	—	—	—	—
KT 162125	16.6	16	21	25	18300	25100	—	—	—	—
KT 162212	9.7	16	22	12	10500	10900	K 16×22×12	K 16×22×12	—	K 16×22×12 F
KT 162214	11.5	16	22	14	11600	12500	—	—	—	—
KT 162217	13.8	16	22	17	14200	16100	—	—	—	—
KT 162220	16.5	16	22	20	15900	18600	K 16×22×20	K 16×22×20	—	K 16×22×20 F
KT 162420	23.5	16	24	20	18500	19000	K 16×24×20	K 16×24×20	—	K 16×24×20 F
KT 172110	5.5	17	21	10	7220	8950	K 17×21×10	K 17×21×10	—	K 17×21×10
KT 172113	7.2	17	21	13	8980	11800	K 17×21×13	K 17×21×13	—	K 17×21×13
KT 172115	8.2	17	21	15	10400	14400	—	K 17×21×15	—	K 17×21×15
KT 172117	9.3	17	21	17	11800	16900	K 17×21×17	K 17×21×17	—	K 17×21×17 F
KT 172220	14	17	22	20	15500	20500	—	K 17×21×20	—	K 17×21×20 F
KT 172311	9.6	17	23	11	10100	10500	—	—	—	—
KT 172315	13.1	17	23	15	13300	15100	—	K 17×23×15	—	K 17×23×15 F
KT 172418	18.6	17	24	18	16500	18000	—	—	—	—
KT 18228	4.7	18	22	8	6060	7270	—	—	—	K 18×22×8 F
KT 182210	5.8	18	22	10	7500	9560	K 18×22×10	K 18×22×10	—	K 18×22×10
KT 182213	7.6	18	22	13	9330	12700	K 18×22×13	K 18×22×13	FWJV-182213	K 18×22×13 H



DIMENSION TABLE

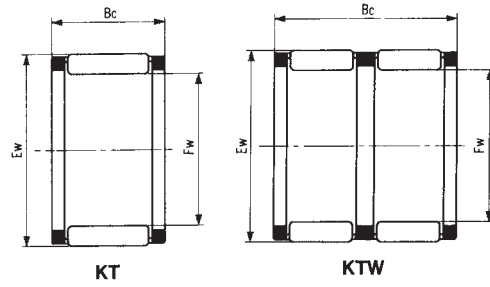
INTERCHANGE TABLE

IKO NUMBER KT	WEIGHT (g)	DIMENSIONS (mm)			BASIC DYNAMIC LOAD RATING (N)	BASIC STATIC LOAD RATING (N)	INA	SKF	TORRINGTON	FAG
		Fw	Ew	Bc			K	K	FWJV	K
KT 182216	9.2	18	22	16	11600	16700	—	—	—	—
KT 182412	11	18	24	12	11800	13100	K 18×24×12	K 18×24×12	—	K 18×24×12
KT 182416	14.8	18	24	16	15100	17900	—	—	—	—
KT 182417	15.7	18	24	17	16000	19400	—	—	—	—
KT 182420	18.7	18	24	20	17900	22400	K 18×24×20	K 18×24×20	—	K 18×24×20
KT 182517	18.8	18	25	17	16700	18600	—	—	—	—
KT 182519	21	18	25	19	18700	21400	—	—	—	—
KT 182522	24.5	18	25	22	20600	24200	K 18×25×22	K 18×25×22	—	K 18×25×22 H
KT 182614	18.1	18	26	14	14600	14400	—	—	—	—
KT 182620	26	18	26	20	20000	21600	—	K 18×26×20	—	K 18×26×20 F.ZB2
KT 202410	6.3	20	24	10	7710	10200	K 20×24×10	K 20×24×10	—	K 20×24×10
KT 202413	8.3	20	24	13	9590	13500	K 20×24×13	K 20×24×13	FWJV-202413	K 20×24×13
KT 202417	10.6	20	24	17	12600	19300	K 20×24×17	K 20×24×17	FWJV-202417	K 20×24×17
KTW 202422	14.6	20	24	22	13700	21300	—	—	—	—
KT 202525	19.7	20	25	25	19900	29800	—	—	—	—
KTW 202531.6	26.5	20	25	31.6	21700	33200	—	—	—	—
KTW 202540	32.5	20	25	40	27500	44900	—	K 20×25×40 ZW	—	K 20×25×40 FZW
KT 202611	11.1	20	26	11	11200	12500	—	—	—	—
KT 202612	12	20	26	12	12400	14300	K 20×26×12	K 20×26×12	—	K 20×26×12
KT 202614	14.2	20	26	14	13700	16400	—	—	—	—
KT 202617	17	20	26	17	16800	21200	K 20×26×17	K 20×26×17	FWJV-202617	K 20×26×17
KT 202620	20.5	20	26	20	18700	24400	K 20×26×20	K 20×26×20	—	K 20×26×20
KT 202624	24	20	26	24	22500	30900	—	—	—	—
KT 202627	26.5	20	26	27	26000	37300	—	—	—	—
KT 202814	20	20	28	14	15700	16100	—	—	—	—
KT 202820	29	20	28	20	21500	24200	K 20×28×20	K 20×28×20	—	K 20×28×20
KT 203225	49.5	20	32	25	30800	30500	—	—	—	—
KT 212610	8.5	21	26	10	9090	11000	—	—	—	—
KT 212611	9.6	21	26	11	9390	11500	—	—	—	—
KT 222610	6.9	22	26	10	8220	11500	K 22×26×10	K 22×26×10	—	K 22×26×10 H
KT 222613	9.1	22	26	13	10200	15200	K 22×26×13	K 22×26×13	FWJV-222613	K 22×26×13
KT 222617	11.6	22	26	17	13500	21600	K 22×26×17	K 22×26×17	FWJV-222617	K 22×26×17
KTW 222625	17.7	22	26	25	17100	29400	—	—	—	—
KT 222720	17.9	22	27	20	17400	25700	—	—	—	—
KT 222726	22.5	22	27	26	22500	35800	—	—	—	—
KT 222817	18.4	22	28	17	17500	23000	K 22×28×17	K 22×28×17	—	K 22×28×17 H
KT 222912	16.1	22	29	12	12900	14000	—	—	—	—
KT 222916	21	22	29	16	17600	20900	K 22×29×16	K 22×29×16	—	K 22×29×16
KT 222917	22.5	22	29	17	18700	22600	—	—	—	—
KT 222918	23.5	22	29	18	19800	24400	—	—	—	—

DIMENSION TABLE

INTERCHANGE TABLE

IKO NUMBER KT	WEIGHT (g)	DIMENSIONS (mm)			BASIC DYNAMIC LOAD RATING (N)	BASIC STATIC LOAD RATING (N)	INA	SKF	TORRINGTON	FAG
		Fw	Ew	Bc			K	K	FWJV	K
KT 222920	26.5	22	29	20	20900	26100	—	—	—	—
KT 223015	23.5	22	30	15	17900	19700	K 22×30×15 TN	K 22×30×15 TN	—	K 22×30×15 H
KT 223230	52.5	22	32	30	36400	42700	—	—	—	K 22×32×30 H
KT 223232	56	22	32	32	38800	46300	—	—	—	—
KT 232824	22	23	28	24	21600	34500	—	K 23×28×24	—	K 23×28×24 F
KT 232913	15.1	23	29	13	13800	17200	—	—	—	—
KT 233015	21	23	30	15	17300	20800	—	—	—	—
KT 233016	22	23	30	16	18600	22600	—	—	—	—
KT 242813	9.9	24	28	13	10800	16800	K 24×28×13	K 24×28×13	—	K 24×28×13 H
KT 242816	12	24	28	16	13400	22200	—	K 24×28×16	—	K 24×28×16 F
KTW 242834	27	24	28	34	21600	40700	—	—	—	—
KT 242913	12.8	24	29	13	12700	17600	K 24×29×13	—	—	—
KT 243020	23.5	24	30	20	20300	28500	—	—	—	—
KT 252910	7.9	25	29	10	8940	13300	K 25×29×10	K 25×29×10	—	K 25×29×10 H
KT 252913	10.3	25	29	13	11100	17600	K 25×29×13	K 25×29×13	FWJV-252913	K 25×29×13 F
KT 253013	13.3	25	30	13	13100	18600	K 25×30×13	K 25×30×13	—	K 25×30×13
KT 253016	16.2	25	30	16	16300	24600	—	—	—	—
KT 253017	17.1	25	30	17	17300	26600	—	K 25×30×17	—	K 25×30×17 H
KT 253020	20	25	30	20	18600	29100	K 25×30×20	K 25×30×20	FWJV-253020	K 25×30×20 F
KT 253113	16.2	25	31	13	14300	18400	—	—	—	—
KT 253116	19.6	25	31	16	17800	24400	—	—	—	—
KT 253117	20.5	25	31	17	19000	26500	K 25×31×17	K 25×31×17	—	K 25×31×17
KT 253120	25	25	31	20	21200	30500	—	K 25×31×20	—	K 25×31×20 H
KT 253216	23.5	25	32	16	19400	24500	K 25×32×16	K 25×32×16	—	K 25×32×16
KT 253224	35	25	32	24	27700	38700	—	—	—	—
KT 253515	33	25	35	15	22600	23800	—	—	—	—
KT 253525	48	25	35	25	32500	37900	—	—	—	K 25×35×25 H
KT 253530	58	25	35	30	39100	48000	K 25×35×30	K 25×35×30	—	K 25×35×30
KT 263013	10.7	26	30	13	11400	18400	K 26×30×13	K 26×30×13	—	K 26×30×13 F
KT 263832	79.5	26	38	32	47200	55300	—	—	—	—
KT 283313	14.8	28	33	13	13800	20700	K 28×33×13	K 28×33×13	—	K 28×33×13 F
KT 283317	18.9	28	33	17	18300	29500	K 28×33×17	K 28×33×17	FWJV-283317	K 28×33×17
KT 283327	29	28	33	27	26300	47300	K 28×33×27 TN	K 28×33×27 TN	FWJV-283327	K 28×33×27 H
KT 283417	23	28	34	17	20300	29900	K 28×34×17	K 28×34×17	—	K 28×34×17
KT 283516	26	28	35	16	20100	26500	K 28×35×16	K 28×35×16	—	K 28×35×16 F
KT 283528	44.5	28	35	28	33200	50600	—	—	—	—
KT 283620	38.5	28	36	20	26500	34700	—	K 28×36×20	—	K 28×36×20 FV
KT 284138	110	28	41	38	58700	71100	—	—	—	—
KT 303513	15.6	30	35	13	14100	21700	K 30×15×13	K 30×15×13	—	K 30×15×13 H
KT 303516	18.9	30	35	16	17500	28700	—	—	—	—



DIMENSION TABLE

INTERCHANGE TABLE

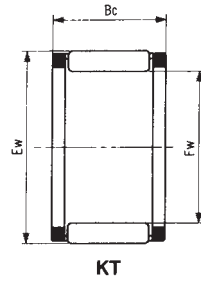
IKO NUMBER KT	WEIGHT (g)	DIMENSIONS (mm)			BASIC DYNAMIC LOAD RATING (N)	BASIC STATIC LOAD RATING (N)	INA	SKF	TORRINGTON	FAG
		Fw	Ew	Bc			K	K	FWJV	K
KT 303517	20	30	35	17	18700	31100	K 30×35×17	K 30×35×17	FWJV-303517	K 30×35×17 H
KT 303524	28.5	30	35	24	24900	45100	—	—	—	K 30×35×24
KT 303527	31.5	30	35	27	27900	52100	K 30×35×27	K 30×35×27	FWJV-303527	K 30×35×27
KT 303613	19.1	30	36	13	15800	22100	—	—	—	—
KT 303620	29.5	30	36	20	23300	36500	—	—	—	—
KT 303630	41.5	30	36	30	33200	57500	—	—	—	—
KT 303715	26	30	37	15	19500	26000	—	—	—	—
KT 303716	27.5	30	37	16	20800	28400	K 30×37×16	K 30×37×16	—	K 30×37×16
KT 303720	35	30	37	20	24700	35400	—	—	—	—
KT 303723	39.5	30	37	23	28500	42500	—	—	—	—
KT 303818	36.5	30	38	18	26200	34800	—	—	—	—
KT 303824	48.5	30	38	24	33200	47200	—	—	—	—
KT 304232	93	30	42	32	54000	68100	—	—	—	—
KTW 304237	117	30	42	37	55900	71300	—	—	—	—
KT 323713	16.7	32	37	13	14900	23700	K 32×37×13	K 32×37×13	—	K 32×37×13 F
KT 323717	21.5	32	37	17	19600	33900	K 32×37×17	K 32×37×17	FWJV-323717	K 32×37×17 F
KT 323723	28.5	32	37	23	24400	44800	—	—	—	—
KT 323813	20.5	32	38	13	16800	24400	—	—	—	—
KT 323820	31.5	32	38	20	24800	40300	K 32×38×20	K 32×38×20	—	K 32×38×20 F
KT 323916	29	32	39	16	21600	30200	K 32×39×16	K 32×39×16	—	—
KT 323920	37	32	39	20	25600	37700	—	—	—	—
KT 324519	63.5	32	45	19	33700	35900	—	—	—	—
KT 324525	84.5	32	45	25	45600	53000	—	—	—	—
KT 324532	109	32	45	32	58500	73000	—	—	—	—
KT 324550	162	32	45	50	81500	111000	—	—	—	—
KT 354013	18.1	35	40	13	15500	25800	K 35×40×13	K 35×40×13	FWJV-354013	K 35×40×13 H
KT 354017	23	35	40	17	20500	36900	K 35×40×17	K 35×40×17	FWJV-354017	K 35×40×17 H
KT 354026	34.5	35	40	26	28700	56800	—	K 35×40×26 ZW	—	K 35×40×26 FZW
KT 354113	22.5	35	41	13	17700	26800	—	—	—	—
KT 354216	32	35	42	16	23100	33900	K 35×42×16	K 35×42×16	—	K 35×42×16
KT 354218	35.5	35	42	18	26000	39500	K 35×42×18	K 35×42×18	—	K 35×42×18
KT 354220	40.5	35	42	20	27400	42300	K 35×42×20	K 35×42×20	—	K 35×42×20 F
KT 354230	59	35	42	30	40600	70300	K 35×42×30	K 35×42×30	—	K 35×42×30 FH.ZB 2
KT 354525	68.5	35	45	25	42100	57900	—	—	—	—
KT 364216	27.5	36	42	16	21900	35700	K 36×42×16	K 36×42×16	—	K 36×42×16
KT 384417	30.5	38	44	17	23800	40400	—	—	—	—
KT 384620	50	38	46	20	30500	45400	K 38×46×20	K 38×46×20	—	K 38×46×20
KT 384632	80	38	46	32	45400	75700	K 38×46×32	K 38×46×32	—	K 38×46×32 H
KT 404513	20.5	40	45	13	16800	29800	K 40×45×13	K 40×45×13	—	K 40×45×13 F
KT 404517	26.5	40	45	17	22200	42700	K 40×45×17	K 40×45×17	FWJV-404517	K 40×45×17 H

DIMENSION TABLE

INTERCHANGE TABLE

IKO NUMBER KT	WEIGHT (g)	DIMENSIONS (mm)			BASIC DYNAMIC LOAD RATING (N)	BASIC STATIC LOAD RATING (N)	INA	SKF	TORRINGTON	FAG
		Fw	Ew	Bc			K	K	FWJV	K
KT 404527	41	40	45	27	32400	69200	K 40×45×27	K 40×45×27	FWJV-404527	K 40×45×27 H
KT 404817	44	40	48	17	28100	41600	—	—	—	—
KT 404820	52.5	40	48	20	31400	48000	K 40×48×20	K 40×48×20	FWJV-404820	K 40×48×20 F
KT 404825	64.5	40	48	25	39300	64000	—	—	—	—
KT 404834	87.5	40	48	34	51100	89600	—	—	—	—
KT 405015	48.5	40	50	15	28200	35900	—	—	—	—
KT 405017	56.5	40	50	17	30200	39200	—	—	—	—
KT 405020	61	40	50	20	35700	48600	—	—	—	—
KTW 405238	158	40	52	38	65000	93000	—	—	—	—
KT 405432	144	40	54	32	66800	87200	—	—	—	—
KT 405450	215	40	54	50	93600	134000	—	—	—	—
KT 405463	270	40	54	63	115000	175000	—	—	—	—
KT 414835	78.5	41	48	35	47800	90800	—	—	—	—
KT 424717	27.5	42	47	17	22500	44200	K 42×27×17	K 42×27×17	FWJV-424717	K 42×27×17 F
KT 424815	30	42	48	15	22400	38600	—	—	—	—
KT 424816	32	42	48	16	24000	42100	—	—	—	—
KT 425020	55	42	50	20	32400	50600	K 42×50×20	K 42×50×20	—	K 42×50×20 F
KT 425030	80.5	42	50	30	48200	84400	—	—	—	—
KT 455017	29.5	45	50	17	23300	47100	K 45×50×17	K 45×50×17	FWJV-455017	K 45×50×17 H
KT 455027	46	45	50	27	34800	79000	K 45×50×27	K 45×50×27	FWJV-455027	K 45×50×27 F
KT 455320	58	45	53	20	33200	53300	K 45×53×20	K 45×53×20	—	K 45×53×20 H
KT 455325	71.5	45	53	25	41500	71100	—	—	—	K 45×53×25 F
KT 455330	86	45	53	30	47800	85300	—	—	—	—
KT 455335	101	45	53	35	53900	99500	—	—	—	—
KT 455527	90.5	45	55	27	50300	78200	—	—	—	—
KT 485320	37	48	53	20	26800	57600	—	—	—	—
KT 485420	46	48	54	20	30600	60400	—	—	—	—
KT 505520	38.5	50	55	20	27100	59300	K 50×55×20	K 50×55×20	FWJV-505520	K 50×55×20 H
KT 505527	50.5	50	55	27	35600	84100	—	—	—	—
KT 505820	65	50	58	20	35900	61100	K 50×58×20	K 50×58×20	—	K 50×58×20 H
KT 505825	80	50	58	25	44900	81500	K 50×58×25	K 50×58×25	—	K 50×58×25 H
KT 505830	96.5	50	58	30	51700	97800	—	—	—	—
KT 505835	113	50	58	35	58300	114000	—	K 50×58×35	—	K 50×58×35 H
KT 525817	41	52	58	17	28300	56000	—	—	—	—
KT 526024	80	52	60	24	44000	80800	—	K 52×60×24	—	K 52×60×24
KT 556020	42.5	55	60	20	28600	66000	K 55×60×20	K 55×60×20	FWJV-556020	K 55×60×20 H
KT 556027	55.5	55	60	27	37600	93900	K 55×60×27	—	—	—
KT 556120	52	55	61	20	32600	68500	—	—	—	—
KT 556315	52.5	55	63	15	29400	48700	K 55×63×15	K 55×63×15	—	K 55×63×15 F
KT 556320	71	55	63	20	37400	66400	K 55×63×20	K 55×63×20	—	K 55×63×20

KT

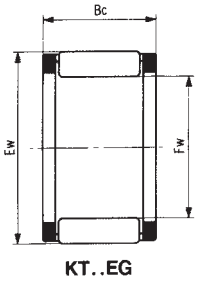


IKO

KT..EG

NEEDLE ROLLER CAGES FOR CONNECTING ROD OF ENGINE

Metric Dimension



DIMENSION TABLE

INTERCHANGE TABLE

IKO NUMBER KT	WEIGHT (g)	DIMENSIONS (mm)			BASIC DYNAMIC LOAD RATING (N)	BASIC STATIC LOAD RATING (N)	INA	SKF	TORRINGTON	FAG
		Fw	Ew	Bc			K	K	FWJV	K
KT 556325	87	55	63	25	46800	88600	K 55×63×25	K 55×63×25	—	K 55×63×25
KT 586320	44.5	58	63	20	29300	69400	—	—	—	—
KT 586420	54.5	58	64	20	33600	72500	—	—	—	—
KT 606520	45.5	60	65	20	29700	71100	K 60×65×20	K 60×65×20	—	K 60×65×20 H
KT 606820	76.5	60	68	20	38900	71700	K 60×68×20	K 60×68×20	—	K 60×68×20
KT 606825	94	60	68	25	48600	95600	K 60×68×25	K 60×68×25	—	K 60×68×25
KT 606827	101	60	68	27	52400	105000	K 60×68×27	—	—	—
KT 607236	205	60	72	36	86700	152000	—	—	—	—
KT 637120	79.5	63	71	20	39500	74400	—	K 63×71×20	—	K 63×71×20
KT 657320	83.5	65	73	20	41200	79600	—	—	—	—
KT 657330	124	65	73	30	59300	127000	K 65×73×30	K 65×73×30	—	K 65×73×30 H
KT 687620	86.5	68	76	20	41800	82200	—	—	—	K 68×76×20
KT 707820	89	70	78	20	42500	84900	—	—	—	K 70×78×20
KT 707830	132	70	78	30	61200	136000	K 70×78×30	K 70×78×30	—	K 70×78×30
KT 728020	91.5	72	80	20	43200	87500	K 72×80×20	K 72×80×20	—	K 72×80×20
KT 758320	94.5	75	83	20	43800	90200	—	—	—	K 75×83×20 F
KT 758325	116	75	83	25	54800	120000	—	—	—	—
KT 758330	141	75	83	30	63100	144000	K 72×83×30	K 72×83×30	—	K 72×83×30 F
KT 758335	164	75	83	35	71200	168000	K 75×83×35 ZW	—	—	—
KT 808822	110	80	88	22	49700	108000	—	—	—	K 80×88×22 F
KT 808825	123	80	88	25	56400	127000	—	—	—	K 80×88×25 F
KT 808830	149	80	88	30	65000	153000	K 80×88×30	K 80×88×30	—	K 80×88×30
KT 859112	44.5	85	91	12	25200	56700	—	—	—	—
KT 859325	130	85	93	25	57800	134000	—	K 85×93×25	—	K 85×93×25 F
KT 859330	157	85	93	30	66600	161000	—	—	—	K 85×93×30
KT 909825	138	90	98	25	60400	145000	—	K 90×98×25	—	K 90×98×25 F
KT 909830	167	90	98	30	69600	174000	K 90×98×30	K 90×98×30	—	K 90×98×30 F
KT 9510330	175	95	103	30	70900	182000	K 95×103×30	K 95×103×30	—	K 95×103×30 F
KT 10010830	184	100	108	30	72500	191000	K 100×108×30	K 100×108×30	—	K 100×108×30 F

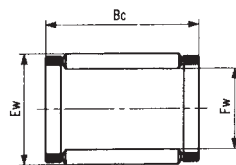
DIMENSION TABLE

INTERCHANGE TABLE

IKO NUMBER KT..EG	WEIGHT (g)	DIMENSIONS (mm)			BASIC DYNAMIC LOAD RATING (N)	BASIC STATIC LOAD RATING (N)	INA	SKF	FAG
		Fw	Ew	Bc			KZK	KZK	K..FV
KT 8128 EG	2.1	8	12	8	3280	2660	—	—	—
KT 101410 EG	3.2	10	14	10	4900	4680	—	—	—
KT 121610 EG	3.8	12	16	10	5650	5890	KZK 12×16×10	KZK 12×16×10	K 12×16×10 FV
KT 121710 EG	5.3	12	17	10	6670	6380	KZK 12×17×10	—	K 12×17×10 FV
KT 14199.7 EG	5.7	14	19	9.7	6120	5880	—	—	—
KT 141910 EG	5.7	14	19	10	6640	6530	—	—	—
KT 15199 EG	4.2	15	19	9	5790	6460	—	—	—
KT 152010 EG	6.1	15	20	10	7100	7260	—	—	—
KT 162211.5 EG	9.5	16	22	11.5	9550	9660	—	—	—
KT 162212 EG	9.7	16	22	12	10500	10900	KZK 16×22×12	KZK 16×22×12	K 16×22×12 FV
KT 182210 EG	5.7	18	22	10	7500	9560	—	—	—
KT 182411.6 EG	11	18	24	11.6	10600	11500	—	—	—
KT 182412 EG	11	18	24	12	11800	13100	KZK 18×24×12	KZK 18×24×12	K 18×24×12 JPSV.ZB 2
KT 202612 EG	12	20	26	12	12400	14300	KZK 20×26×12	KZK 20×26×12	K 20×26×12 FV
KT 202614 EG	13.8	20	26	14	13000	15200	—	—	—
KT 202814 EG	20	20	28	14	15700	16100	—	—	—
KT 222814 EG	14.9	22	28	14	13600	16600	—	—	—
KT 222816 EG	17.5	22	28	16	15700	19800	KZK 22×28×16	—	WK 22×28×16 FVCZ61
KT 222912 EG	15.2	22	29	12	12900	14000	—	—	—
KT 223215 EG	30	22	32	15	21300	21500	—	—	—
KT 232913 EG	14.9	23	29	13	12800	15600	—	—	—
KT 243015 EG	17.9	24	30	15	14200	18000	—	—	—
KT 243016 EG	18.2	24	30	16	16300	21500	—	—	—
KT 243120 EG	28	24	31	20	20800	26400	—	—	—
KT 303818 EG	35.5	30	38	18	24900	32600	—	—	—
KT 324220 EG	54	32	42	20	31900	39400	—	—	—

**NEEDLE ROLLER CAGES
FOR CONNECTING ROD OF ENGINE**

Metric Dimension



KTV..EG

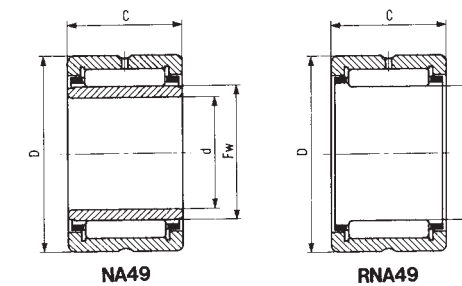
DIMENSION TABLE

INTERCHANGE TABLE

IKO NUMBER KTV..EG	WEIGHT (g)	DIMENSIONS (mm)			BASIC DYNAMIC LOAD RATING (N)	BASIC STATIC LOAD RATING (N)	INA	SKF	FAG
		Fw	Ew	Bc			KBK	KBK	K..FKIV
KTV 91211.5 EG	2.8	9	12	11.5	3900	4070	—	—	—
KTV 91214 EG	3.5	9	12	14	4440	4810	—	—	—
KTV 101316 EG	4.5	10	13	16	4400	4880	—	—	—
KTV 101410 EG	3.8	10	14	10	4520	4220	—	—	—
KTV 101411 EG	4.1	10	14	11	5060	4880	—	—	—
KTV 101412.5 EG	4.8	10	14	12.5	5590	5540	—	—	—
KTV 10.51415 EG	5.1	10.5	14	15	5710	6270	—	—	—
KTV 121514.3 EG	4.3	12	15	14.3	5840	7390	—	—	—
KTV 121613 EG	5.6	12	16	13	7020	7800	KBK 12×16×13	KBK 12×16×13	K 12×16×13 FKIV1
KTV 121615.5 EG	6.8	12	16	15.5	7600	8600	—	—	—
KTV 141812 EG	6	14	18	12	6780	7760	—	—	—
KTV 141816.5 EG	8.2	14	18	16.5	9180	11500	—	—	—
KTV 141822 EG	10.8	14	18	22	9950	12600	—	—	—
KTV 162019 EG	10.6	16	20	19	10800	14600	—	—	—
KTV 162022 EG	12.7	16	20	22	11400	15700	—	—	—
KTV 182223.5 EG	14.9	18	22	23.5	13000	19300	—	—	—
KTV 182321 EG	16.4	18	23	21	14400	18900	—	—	—

**MACHINED TYPE
NEEDLE ROLLER BEARINGS**

Metric Dimension

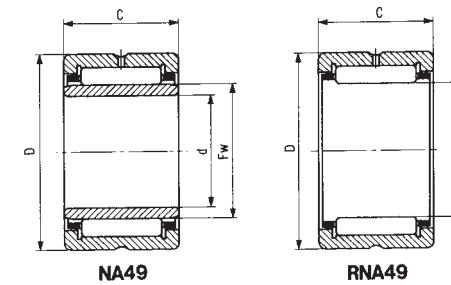


DIMENSION TABLE

IKO NUMBER WITH INNER RING NA49	WEIGHT (g)	IKO NUMBER WITHOUT INNER RING RNA49	WEIGHT (g)	DIMENSIONS (mm)				BASIC DYNAMIC LOAD RATING (N)	BASIC STATIC LOAD RATING (N)
				d	Fw	D	C		
—	—	RNA 493	4.6	—	5	11	10	2420	1950
—	—	RNA 494	5.3	—	6	12	10	2700	2320
NA 495	7.3	RNA 495	5.9	5	7	13	10	2960	2690
NA 496	9.1	RNA 496	7.4	6	8	15	10	3960	3420
NA 497	11.2	RNA 497	9.3	7	9	17	10	4530	3650
NA 498	15	RNA 498	12.6	8	10	19	11	6180	5030
NA 499	16.7	RNA 499	13.6	9	12	20	11	6600	6310
NA 4900	24	RNA 4900	16.5	10	14	22	13	9230	10100
NA 4901	26.5	RNA 4901	18.1	12	16	24	13	9660	11100
—	—	RNA 49/14	19.9	—	18	26	13	10600	12800
NA 4902	35	RNA 4902	21.5	15	20	28	13	10900	13800
NA 4903	39	RNA 4903	23.5	17	22	30	13	11700	15600
NA 4904	78.5	RNA 4904	55.5	20	25	37	17	21000	25000
NA 49/22	87	RNA 49/22	56.5	22	28	39	17	21400	28900
NA 4905	92.5	RNA 4905	64	25	30	42	17	23700	30700
NA 49/28	101	RNA 49/28	76.5	28	32	45	17	24500	32700
NA 4906	106	RNA 4906	72.5	30	35	47	17	25200	34700
NA 49/32	165	RNA 49/32	96	32	40	52	20	31200	47800
NA 4907	178	RNA 4907	113	35	42	55	20	32000	50100
—	—	RNA 49/38	120	—	45	58	20	33600	54600
NA 4908	245	RNA 4908	152	40	48	62	22	41600	67400
—	—	RNA 49/42	174	—	50	65	22	42500	70300
NA 4909	285	RNA 4909	197	45	52	68	22	43500	73300
—	—	RNA 49/48	188	—	55	70	22	44300	76300
NA 4910	295	RNA 4910	179	50	58	72	22	46200	82100
—	—	RNA 49/52	205	—	60	75	22	47100	85100
NA 4911	410	RNA 4911	265	55	63	80	25	57600	97200
—	—	RNA 49/58	275	—	65	82	25	58900	101000
NA 4912	440	RNA 4912	285	60	68	85	25	60200	105000
—	—	RNA 49/62	320	—	70	88	25	61500	109000
NA 4913	470	RNA 4913	325	65	72	90	25	62700	113000
—	—	RNA 49/68	470	—	75	95	30	79900	147000
NA 4914	765	RNA 4914	495	70	80	100	30	83200	158000
NA 4915	810	RNA 4915	525	75	85	105	30	86200	169000
NA 4916	855	RNA 4916	550	80	90	110	30	87300	175000
—	—	RNA 49/82	575	—	95	115	30	90000	186000
NA 4917	1280	RNA 4917	705	85	100	120	35	110000	244000
NA 4918	1350	RNA 4918	740	90	105	125	35	113000	258000
NA 4919	1420	RNA 4919	770	95	110	130	35	116000	271000
NA 4920	1960	RNA 4920	1190	100	115	140	40	145000	329000

INTERCHANGE TABLE

INA		SKF		FAG	
WITH INNER RING NA	WITHOUT INNER RING RNA	WITH INNER RING NA	WITHOUT INNER RING RNA	WITH INNER RING NA	WITHOUT INNER RING RNA
—	—	—	—	—	—
—	NK 6/10 TN	—	NK 6/10 TN	—	NK 6/10
—	—	—	—	—	—
—	—	—	—	—	—
—	—	—	—	—	—
—	—	—	—	—	—
—	—	—	—	—	—
NA 4900	RNA 4900	NA 4900	RNA 4900	NA 4900	RNA 4900
NA 4901	RNA 4901	NA 4901	RNA 4901	NA 4901	RNA 4901
—	—	—	—	—	—
NA 4902	RNA 4902	NA 4902	RNA 4902	NA 4902	RNA 4902
NA 4903	RNA 4903	NA 4903	RNA 4903	NA 4903	RNA 4903
NA 4904	RNA 4904	NA 4904	RNA 4904	NA 4904	RNA 4904
NA 49/22	RNA 49/22	NA 49/22	RNA 49/22	NA 49/22	RNA 49/22
NA 4905	RNA 4905	NA 4905	RNA 4905	NA 4905	RNA 4905
NA 49/28	RNA 49/28	NA 49/28	RNA 49/28	NA 49/28	RNA 49/28
NA 4906	RNA 4906	NA 4906	RNA 4906	NA 4906	RNA 4906
NA 49/32	RNA 49/32	NA 49/32	RNA 49/32	NA 49/32	RNA 49/32
NA 4907	RNA 4907	NA 4907	RNA 4907	NA 4907	RNA 4907
—	—	—	—	—	—
NA 4908	RNA 4908	NA 4908	RNA 4908	NA 4908	RNA 4908
—	NKS 50	—	NKS 50	—	NKS 50 A
NA 4909	RNA 4909	NA 4909	RNA 4909	NA 4909	RNA 4909
—	—	—	—	—	—
NA 4910	RNA 4910	NA 4910	RNA 4910	NA 4910	RNA 4910
—	—	—	—	—	—
NA 4911	RNA 4911	NA 4911	RNA 4911	NA 4911	RNA 4911
—	—	—	—	—	—
NA 4912	RNA 4912	NA 4912	RNA 4912	NA 4912	RNA 4912
—	—	—	—	—	—
NA 4913	RNA 4913	NA 4913	RNA 4913	NA 4913	RNA 4913
—	—	—	—	—	—
NA 4914	RNA 4914	NA 4914	RNA 4914	NA 4914	RNA 4914
NA 4915	RNA 4915	NA 4915	RNA 4915	NA 4915	RNA 4915
NA 4916	RNA 4916	NA 4916	RNA 4916	NA 4916	RNA 4916
—	—	—	—	—	—
NA 4917	RNA 4917	NA 4917	RNA 4917	NA 4917	RNA 4917
NA 4918	RNA 4918	NA 4918	RNA 4918	NA 4918	RNA 4918
NA 4919	RNA 4919	NA 4919	RNA 4919	NA 4919	RNA 4919
NA 4920	RNA 4920	NA 4920	RNA 4920	NA 4920	RNA 4920



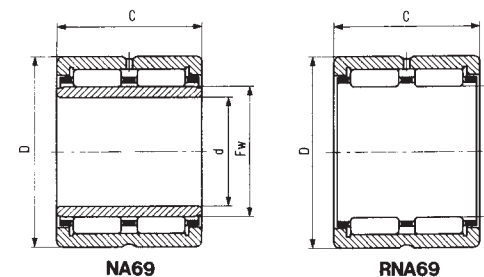
DIMENSION TABLE

INTERCHANGE TABLE

IKO NUMBER WITH INNER RING NA49	WEIGHT (g)	IKO NUMBER WITHOUT INNER RING RNA49	WEIGHT (g)	DIMENSIONS (mm)				BASIC DYNAMIC LOAD RATING (N)	BASIC STATIC LOAD RATING (N)	INA		SKF		FAG	
				d	Fw	D	C			WITH INNER RING NA	WITHOUT INNER RING RNA	WITH INNER RING NA	WITHOUT INNER RING RNA	WITH INNER RING NA	WITHOUT INNER RING RNA
NA 4922	2120	RNA 4922	1280	110	125	150	40	152000	357000	NA 4922	RNA 4922	NA 4922	RNA 4922	NA 4922	RNA 4922
NA 4924	2960	RNA 4924	1930	120	135	165	45	187000	435000	NA 4924	RNA 4924	NA 4924	RNA 4924	NA 4924	RNA 4924
NA 4926	4030	RNA 4926	2360	130	150	180	50	215000	540000	NA 4926	RNA 4926	NA 4926	RNA 4926	NA 4926	RNA 4926
NA 4928	4290	RNA 4928	2500	140	160	190	50	224000	580000	NA 4928	RNA 4928	NA 4928	RNA 4928	NA 4928	RNA 4928
NA 4930	6380	RNA 4930	4090	150	170	210	60	324000	712000	—	—	—	—	—	—
NA 4932	6750	RNA 4932	4310	160	180	220	60	337000	761000	—	—	—	—	—	—
NA 4934	7110	RNA 4934	4530	170	190	230	60	347000	810000	—	—	—	—	—	—
NA 4936	10200	RNA 4936	6250	180	205	250	69	434000	989000	—	—	—	—	—	—
NA 4938	10700	RNA 4938	6500	190	215	260	69	440000	1020000	—	—	—	—	—	—
NA 4940	15400	RNA 4940	10400	200	225	280	80	518000	1120000	—	—	—	—	—	—
NA 4944	16700	RNA 4944	11200	220	245	300	80	536000	1200000	—	—	—	—	—	—
NA 4948	18000	RNA 4948	12000	240	265	320	80	565000	1320000	—	—	—	—	—	—
NA 4952	31100	RNA 4952	21200	260	290	360	100	847000	1900000	—	—	—	—	—	—
NA 4956	33100	RNA 4956	22500	280	310	380	100	877000	2040000	—	—	—	—	—	—
NA 4960	51400	RNA 4960	33400	300	340	420	118	1130000	2650000	—	—	—	—	—	—
NA 4964	54400	RNA 4964	35200	320	360	440	118	1170000	2830000	—	—	—	—	—	—
NA 4968	57300	RNA 4968	37000	340	380	460	118	1220000	3020000	—	—	—	—	—	—
NA 4972	60200	RNA 4972	38700	360	400	480	118	1260000	3200000	—	—	—	—	—	—
NA 4976	90300	RNA 4976	56400	380	430	520	140	1540000	4030000	—	—	—	—	—	—
NA 4980	94400	RNA 4980	58800	400	450	540	140	1590000	4270000	—	—	—	—	—	—
NA 4984	98500	RNA 4984	61200	420	470	560	140	1640000	4510000	—	—	—	—	—	—
NA 4988	131000	RNA 4988	86900	440	490	600	160	1910000	5140000	—	—	—	—	—	—

**MACHINED TYPE
NEEDLE ROLLER BEARINGS**

Metric Dimension



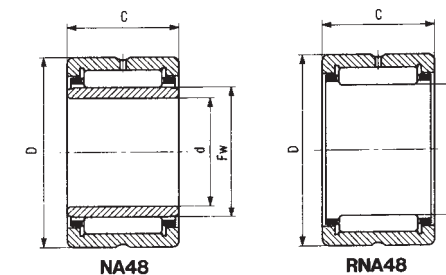
DIMENSION TABLE

INTERCHANGE TABLE

IKO NUMBER WITH INNER RING NA69	WEIGHT (g)	IKO NUMBER WITHOUT INNER RING RNA69	WEIGHT (g)	DIMENSIONS (mm)				BASIC DYNAMIC LOAD RATING (N)	BASIC STATIC LOAD RATING (N)	INA		SKF		FAG	
				d	Fw	D	C			WITH INNER RING NA	WITHOUT INNER RING RNA	WITH INNER RING NA	WITHOUT INNER RING RNA	WITH INNER RING NA	WITHOUT INNER RING RNA
NA 6901	44.5	RNA 6901	30	12	16	24	22	17100	23000	NA 6901	RNA 6901	NA 6901	RNA 6901	NA 6901 A	RNA 6901 A
NA 6902	61	RNA 6902	37	15	20	28	23	19300	28800	NA 6902	RNA 6902	NA 6902	RNA 6902	NA 6902 A	RNA 6902 A
NA 6903	67	RNA 6903	40.5	17	22	30	23	20800	32500	NA 6903	RNA 6903	NA 6903	RNA 6903	NA 6903 A	RNA 6903 A
NA 6904	136	RNA 6904	95.5	20	25	37	30	35400	48900	NA 6904	RNA 6904	NA 6904	RNA 6904	NA 6904 A	RNA 6904 A
NA 69/22	152	RNA 69/22	97.5	22	28	39	30	36300	56900	NA 69/22	RNA 69/22	NA 69/22	RNA 69/22	NA 69/22	RNA 69/22
NA 6905	160	RNA 6905	111	25	30	42	30	42100	64300	NA 6905	RNA 6905	NA 6905	RNA 6905	NA 6905 A	RNA 6905 A
NA 69/28	176	RNA 69/28	133	28	32	45	30	41800	64800	NA 69/28	RNA 69/28	NA 69/28	RNA 69/28	NA 69/28 A	—
NA 6906	184	RNA 6906	125	30	35	47	30	43000	69000	NA 6906	RNA 6906	NA 6906	RNA 6906	NA 6906 A	RNA 6906 A
NA 69/32	295	RNA 69/32	172	32	40	52	36	53500	95700	NA 69/32	RNA 69/32	NA 69/32	RNA 69/32	NA 69/32 A	RNA 69/32 A
NA 6907	320	RNA 6907	200	35	42	55	36	54900	100000	NA 6907	RNA 6907	NA 6907	RNA 6907	NA 6907 A	RNA 6907 A
NA 6908	440	RNA 6908	275	40	48	62	40	71300	135000	NA 6908	RNA 6908	NA 6908	RNA 6908	NA 6908 A	RNA 6908 A
NA 6909	520	RNA 6909	355	45	52	68	40	74600	147000	NA 6909	RNA 6909	NA 6909	RNA 6909	NA 6909 A	RNA 6909 A
NA 6910	530	RNA 6910	320	50	58	72	40	79200	164000	NA 6910	RNA 6910	NA 6910	RNA 6910	NA 6910 A	RNA 6910 A
NA 6911	730	RNA 6911	475	55	63	80	45	98700	194000	NA 6911	RNA 6911	NA 6911	RNA 6911	NA 6911 A	RNA 6911 A
NA 6912	785	RNA 6912	510	60	68	85	45	103000	211000	NA 6912	RNA 6912	NA 6912	RNA 6912	NA 6912	RNA 6912
NA 6913	840	RNA 6913	585	65	72	90	45	108000	227000	NA 6913	RNA 6913	NA 6913	RNA 6913	NA 6913 A	RNA 6913 A
NA 6914	1400	RNA 6914	910	70	80	100	54	134000	311000	NA 6914	RNA 6914	NA 6914	RNA 6914	NA 6914 A	RNA 6914 A
NA 6915	1480	RNA 6915	960	75	85	105	54	138000	331000	NA 6915	RNA 6915	NA 6915	RNA 6915	NA 6915 A	RNA 6915 A
NA 6916	1560	RNA 6916	1010	80	90	110	54	143000	351000	NA 6916	RNA 6916	NA 6916	RNA 6916	NA 6916	RNA 6916
NA 6917	2340	RNA 6917	1300	85	100	120	63	173000	467000	NA 6917	RNA 6917	NA 6917	RNA 6917	NA 6917	RNA 6917
NA 6918	2460	RNA 6918	1360	90	105	125	63	178000	490000	NA 6918	RNA 6918	NA 6918	RNA 6918	NA 6918	RNA 6918
NA 6919	2580	RNA 6919	1420	95	110	130	63	182000	514000	NA 6919	RNA 6919	NA 6919	RNA 6919	NA 6919	RNA 6919

**MACHINED TYPE
NEEDLE ROLLER BEARINGS**

Metric Dimension



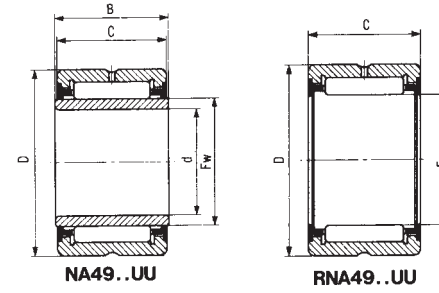
DIMENSION TABLE

INTERCHANGE TABLE

IKO NUMBER WITH INNER RING NA48	WEIGHT (g)	IKO NUMBER WITHOUT INNER RING RNA48	WEIGHT (g)	DIMENSIONS (mm)				BASIC DYNAMIC LOAD RATING (N)	BASIC STATIC LOAD RATING (N)	INA		SKF		FAG	
				d	Fw	D	C			WITH INNER RING NA	WITHOUT INNER RING RNA	WITH INNER RING NA	WITHOUT INNER RING RNA	WITH INNER RING NA	WITHOUT INNER RING RNA
NA 4822	1200	RNA 4822	790	110	120	140	30	93200	239000	NA 4822	RNA 4822	NA 4822	RNA 4822	NA 4822	RNA 4822
NA 4824	1300	RNA 4824	850	120	130	150	30	96900	259000	NA 4824	RNA 4824	NA 4824	RNA 4824	NA 4824	RNA 4824
NA 4826	1960	RNA 4826	1100	130	145	165	35	116000	340000	NA 4826	RNA 4826	NA 4826	RNA 4826	NA 4826	RNA 4826
NA 4828	2100	RNA 4828	1170	140	155	175	35	120000	363000	NA 4828	RNA 4828	NA 4828	RNA 4828	NA 4828	RNA 4828
NA 4830	2880	RNA 4830	1750	150	165	190	40	168000	446000	NA 4830	RNA 4830	NA 4830	RNA 4830	NA 4830	RNA 4830
NA 4832	3050	RNA 4832	1850	160	175	200	40	173000	474000	NA 4832	RNA 4832	NA 4832	RNA 4832	NA 4832	RNA 4832
NA 4834	4120	RNA 4834	2700	170	185	215	45	211000	567000	NA 4834	RNA 4834	NA 4834	RNA 4834	NA 4834	RNA 4834
NA 4836	4340	RNA 4836	2840	180	195	225	45	218000	602000	NA 4836	RNA 4836	NA 4836	RNA 4836	NA 4836	RNA 4836
NA 4838	5760	RNA 4838	3380	190	210	240	50	249000	726000	NA 4838	RNA 4838	NA 4838	RNA 4838	NA 4838	RNA 4838
NA 4840	6040	RNA 4840	3520	200	220	250	50	255000	766000	NA 4840	RNA 4840	NA 4840	RNA 4840	NA 4840	RNA 4840
NA 4844	6570	RNA 4844	3820	220	240	270	50	266000	833000	NA 4844	RNA 4844	NA 4844	RNA 4844	NA 4844	RNA 4844
NA 4848	10200	RNA 4848	5670	240	265	300	60	345000	1150000	NA 4848	RNA 4848	NA 4848	RNA 4848	NA 4848	RNA 4848
NA 4852	11000	RNA 4852	6070	260	285	320	60	354000	1220000	NA 4852	RNA 4852	NA 4852	RNA 4852	NA 4852	RNA 4852
NA 4856	15800	RNA 4856	9750	280	305	350	69	486000	1550000	NA 4856	RNA 4856	NA 4856	RNA 4856	NA 4856	RNA 4856
NA 4860	22300	RNA 4860	13200	300	330	380	80	610000	1900000	NA 4860	RNA 4860	NA 4860	RNA 4860	NA 4860	RNA 4860
NA 4864	23700	RNA 4864	14000	320	350	400	80	635000	2040000	NA 4864	RNA 4864	NA 4864	RNA 4864	NA 4864	RNA 4864
NA 4868	25000	RNA 4868	14800	340	370	420	80	651000	2140000	NA 4868	RNA 4868	NA 4868	RNA 4868	NA 4868	RNA 4868
NA 4872	26400	RNA 4872	15600	360	390	440	80	680000	2320000	NA 4872	RNA 4872	NA 4872	RNA 4872	NA 4872	RNA 4872
NA 4876	44600	RNA 4876	27900	380	415	480	100	951000	2860000	NA 4876	RNA 4876	NA 4876	RNA 4876	NA 4876	RNA 4876

**MACHINED TYPE
NEEDLE ROLLER BEARINGS (with seals)**

Metric Dimension



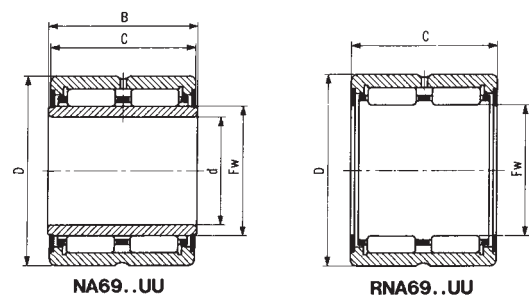
DIMENSION TABLE

INTERCHANGE TABLE

IKO NUMBER WITH INNER RING NA49..UU	WEIGHT (g)	IKO NUMBER WITHOUT INNER RING RNA49..UU	WEIGHT (g)	DIMENSIONS (mm)					BASIC DYNAMIC LOAD RATING (N)	BASIC STATIC LOAD RATING (N)	INA		SKF		FAG	
				d	Fw	D	C	B			WITH INNER RING NA..2RS	WITHOUT INNER RING RNA..2RS	WITH INNER RING NA..2RS	WITHOUT INNER RING RNA..2RS	WITH INNER RING NA..2RS	WITHOUT INNER RING RNA..2RS
NA 4900 UU	24.5	RNA 4900 UU	16.3	10	14	22	13	14	8080	8490	NA 4900 .2RS	RNA 4900 .2RS	NA 4900 .2RS	RNA 4900 .2RS	NA 4900A .2RS	RNA 4900A .2RS
NA 4901 UU	27.5	RNA 4901 UU	17.9	12	16	24	13	14	8470	9320	NA 4901 .2RS	RNA 4901 .2RS	NA 4901 .2RS	RNA 4901 .2RS	NA 4901A .2RS	RNA 4901A .2RS
—	—	RNA 49/14 UU	19.7	—	18	26	13	—	9260	10800	—	—	—	—	—	—
NA 4902 UU	36	RNA 4902 UU	21.5	15	20	28	13	14	9570	11600	NA 4902 .2RS	RNA 4902 .2RS	NA 4902 .2RS	RNA 4902 .2RS	NA 4902A .2RS	RNA 4902A .2RS
NA 4903 UU	39.5	RNA 4903 UU	23	17	22	30	13	14	10300	13100	NA 4903 .2RS	RNA 4903 .2RS	NA 4903 .2RS	RNA 4903 .2RS	NA 4903A .2RS	RNA 4903A .2RS
NA 4904 UU	78.5	RNA 4904 UU	54.5	20	25	37	17	18	18000	20500	NA 4904 .2RS	RNA 4904 .2RS	NA 4904 .2RS	RNA 4904 .2RS	NA 4904A .2RS	RNA 4904A .2RS
NA 49/22 UU	87.5	RNA 49/22 UU	55.5	22	28	39	17	18	18300	23700	—	—	—	—	—	—
NA 4905 UU	92.5	RNA 4905 UU	63	25	30	42	17	18	20300	25100	NA 4905 .2RS	RNA 4905 .2RS	NA 4905 .2RS	RNA 4905 .2RS	NA 4905A .2RS	RNA 4905A .2RS
NA 49/28 UU	101	RNA 49/28 UU	75.5	28	32	45	17	18	21000	26800	—	—	—	—	—	—
NA 4906 UU	106	RNA 4906 UU	71	30	35	47	17	18	21500	28400	NA 4906 .2RS	RNA 4906 .2RS	NA 4906 .2RS	RNA 4906 .2RS	NA 4906A .2RS	RNA 4906A .2RS
NA 49/32 UU	167	RNA 49/32 UU	94.5	32	40	52	20	21	29400	44200	—	—	—	—	—	—
NA 4907 UU	179	RNA 4907 UU	112	35	42	55	20	21	30100	46300	NA 4907 .2RS	RNA 4907 .2RS	NA 4907 .2RS	RNA 4907 .2RS	NA 4907A .2RS	RNA 4907A .2RS
—	—	RNA 49/38 UU	119	—	45	58	20	—	31600	50400	—	—	—	—	—	—
NA 4908 UU	245	RNA 4908 UU	150	40	48	62	22	23	37200	58400	NA 4908 .2RS	RNA 4908 .2RS	NA 4908 .2RS	RNA 4908 .2RS	NA 4908A .2RS	RNA 4908A .2RS
—	—	RNA 49/42 UU	173	—	50	65	22	—	38000	60900	—	—	—	—	—	—
NA 4909 UU	290	RNA 4909 UU	197	45	52	68	22	23	38900	63400	NA 4909 .2RS	RNA 4909 .2RS	NA 4909 .2RS	RNA 4909 .2RS	NA 4909A .2RS	RNA 4909A .2RS
—	—	RNA 49/48 UU	187	—	55	70	22	—	39600	66100	—	—	—	—	—	—
NA 4910 UU	295	RNA 4910 UU	177	50	58	72	22	23	41300	71100	NA 4910 .2RS	RNA 4910 .2RS	NA 4910 .2RS	RNA 4910 .2RS	NA 4910A .2RS	RNA 4910A .2RS
—	—	RNA 49/52 UU	200	—	60	75	22	—	42100	73600	—	—	—	—	—	—
NA 4911 UU	415	RNA 4911 UU	265	55	63	80	25	26	52200	85700	—	—	—	—	—	—
—	—	RNA 49/58 UU	275	—	65	82	25	—	53400	89200	—	—	—	—	—	—
NA 4912 UU	445	RNA 4912 UU	285	60	68	85	25	26	54500	92800	—	—	—	—	—	—
—	—	RNA 49/62 UU	320	—	70	88	25	—	55700	96300	—	—	—	—	—	—
NA 4913 UU	475	RNA 4913 UU	325	65	72	90	25	26	56800	99800	—	—	—	—	—	—
—	—	RNA 49/68 UU	465	—	75	95	30	—	73900	133000	—	—	—	—	—	—
NA 4914 UU	770	RNA 4914 UU	495	70	80	100	30	31	76900	143000	—	—	—	—	—	—
NA 4915 UU	815	RNA 4915 UU	520	75	85	105	30	31	79600	153000	—	—	—	—	—	—
NA 4916 UU	860	RNA 4916 UU	545	80	90	110	30	31	80700	158000	—	—	—	—	—	—
—	—	RNA 49/82 UU	570	—	95	115	30	—	83200	168000	—	—	—	—	—	—
NA 4917 UU	1300	RNA 4917 UU	695	85	100	120	35	36	103000	225000	—	—	—	—	—	—
NA 4918 UU	1360	RNA 4918 UU	730	90	105	125	35	36	106000	238000	—	—	—	—	—	—
NA 4919 UU	1420	RNA 4919 UU	760	95	110	130	35	36	109000	250000	—	—	—	—	—	—
NA 4920 UU	1980	RNA 4920 UU	1200	100	115	140	40	41	134000	297000	—	—	—	—	—	—
NA 4922 UU	2150	RNA 4922 UU	1280	110	125	150	40	41	140000	322000	—	—	—	—	—	—
NA 4924 UU	2990	RNA 4924 UU	1940	120	135	165	45	46	178000	410000	—	—	—	—	—	—
NA 4926 UU	4080	RNA 4926 UU	2360	130	150	180	50	51	206000	511000	—	—	—	—	—	—
NA 4928 UU	4340	RNA 4928 UU	2510	140	160	190	50	51	214000	549000	—	—	—	—	—	—

**MACHINED TYPE
NEEDLE ROLLER
BEARINGS (with seals)**

Metric Dimension



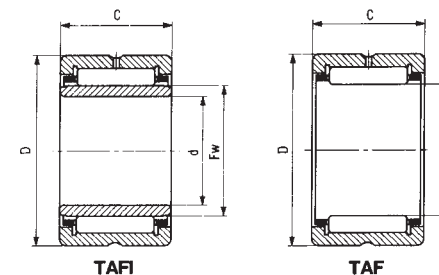
DIMENSION TABLE

IKO NUMBER WITH INNER RING NA69..UU	WEIGHT (g)	IKO NUMBER WITHOUT INNER RING RNA69..UU	WEIGHT (g)	DIMENSIONS (mm)					BASIC DYNAMIC LOAD RATING (N)	BASIC STATIC LOAD RATING (N)
				d	Fw	D	C	B		
NA 6901 UU	45.5	RNA 6901 UU	30	12	16	24	22	23	15500	20400
NA 6902 UU	62.5	RNA 6902 UU	37.5	15	20	28	23	24	18500	27100
NA 6903 UU	68.5	RNA 6903 UU	40.5	17	22	30	23	24	19800	30600
NA 6904 UU	137	RNA 6904 UU	95.5	20	25	37	30	31	33000	44600
NA 69/22 UU	153	RNA 69/22 UU	97.5	22	28	39	30	31	33800	52000
NA 6905 UU	162	RNA 6905 UU	111	25	30	42	30	31	39200	58700
NA 69/28 UU	177	RNA 69/28 UU	133	28	32	45	30	31	38900	59100
NA 6906 UU	185	RNA 6906 UU	125	30	35	47	30	31	40100	63000
NA 69/32 UU	300	RNA 69/32 UU	170	32	40	52	36	37	50300	88300
NA 6907 UU	320	RNA 6907 UU	200	35	42	55	36	37	51600	92600
NA 6908 UU	440	RNA 6908 UU	270	40	48	62	40	41	63700	117000
NA 6909 UU	520	RNA 6909 UU	355	45	52	68	40	41	66600	127000
NA 6910 UU	530	RNA 6910 UU	320	50	58	72	40	41	70800	142000
NA 6911 UU	730	RNA 6911 UU	470	55	63	80	45	46	89400	171000
NA 6912 UU	785	RNA 6912 UU	505	60	68	85	45	46	93400	186000
NA 6913 UU	845	RNA 6913 UU	580	65	72	90	45	46	97400	200000
NA 6914 UU	1400	RNA 6914 UU	910	70	80	100	54	55	124000	281000
NA 6915 UU	1480	RNA 6915 UU	960	75	85	105	54	55	128000	299000
NA 6916 UU	1570	RNA 6916 UU	1010	80	90	110	54	55	132000	317000
NA 6917 UU	2360	RNA 6917 UU	1300	85	100	120	63	64	168000	448000
NA 6918 UU	2480	RNA 6918 UU	1360	90	105	125	63	64	172000	471000
NA 6919 UU	2600	RNA 6919 UU	1420	95	110	130	63	64	177000	493000

Remark: When Fw is 35 or less, single row roller cage is assembled.

**MACHINED TYPE
NEEDLE ROLLER BEARINGS**

Metric Dimension

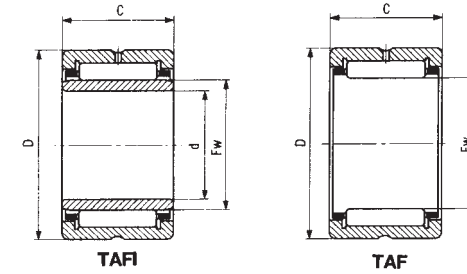


DIMENSION TABLE

INTERCHANGE TABLE

IKO NUMBER WITH INNER RING TAFI	WEIGHT (g)	IKO NUMBER WITHOUT INNER RING TAF	WEIGHT (g)	DIMENSIONS (mm)				BASIC DYNAMIC LOAD RATING (N)	BASIC STATIC LOAD RATING (N)	INA		SKF		FAG	
				d	Fw	D	C			WITH INNER RING NKI	WITHOUT INNER RING NK	WITH INNER RING NKI	WITHOUT INNER RING NK	WITH INNER RING NKJ	WITHOUT INNER RING NK
—	—	TAF 51010	3.4	—	5	10	10	2420	1950	—	NK 5/10 TN	—	NK 5/10 TN	—	NK 5/10 B.TN
—	—	TAF 51012	4.2	—	5	10	12	3080	2660	—	NK 5/12 TN	—	NK 5/12	—	NK 5/12 TN
—	—	TAF 61212	6.4	—	6	12	12	3440	3170	—	NK 6/12 TN	—	NK 6/12 TN	—	NK 6/12 TN
—	—	TAF 71410	6.9	—	7	14	10	3600	2960	—	NK 7/10 TN	—	NK 7/10 TN	—	NK 7/10 TN
—	—	TAF 71412	8.3	—	7	14	12	4610	4050	—	NK 7/12 TN	—	NK 7/12 TN	—	NK 7/12 TN
TAFI 51512	11.9	TAF 81512	9.1	5	8	15	12	5060	4690	NKI 5/12 TN	NK 8/12 TN	NKI 5/12	NK 8/12	NKJ 5/12	NK 8/12
TAFI 51516	16.7	TAF 81516	12.9	5	8	15	16	7080	7220	NKI 5/16 TN	NK 8/16 TN	NKI 5/16 TN	NK 8/16 TN	NKJ 5/16	NK 8/16
TAFI 61612	13	TAF 91612	9.8	6	9	16	12	5490	5330	NKI 6/12 TN	NK 9/12 TN	NKI 6/12 TN	NK 9/12 TN	NKJ 6/12	NK 9/12
TAFI 61616	17.5	TAF 91616	13.2	6	9	16	16	7680	8210	NKI 6/16 TN	NK 9/16 TN	NKI 6/16 TN	NK 9/16 TN	NKJ 6/16	NK 9/16
TAFI 71712	14.3	TAF 101712	10.7	7	10	17	12	5880	5970	NKI 7/12 TN	NK 10/12 TN	NKI 7/12	NK 10/12	NKJ 7/12	NK 10/12
TAFI 71716	19.2	TAF 101716	14.3	7	10	17	16	8230	9190	NKI 7/16 TN	NK 10/16 TN	NKI 7/16 TN	NK 10/16 TN	NKJ 7/16	NK 10/16
TAFI 91912	16.7	TAF 121912	12.2	9	12	19	12	6610	7260	NKI 9/12	NK 12/12	NKI 9/12	NK 12/12	NKJ 9/12	NK 12/12
TAFI 91916	22.5	TAF 121916	16.3	9	12	19	16	9250	11200	NKI 9/16	NK 12/16	NKI 9/16 TN	NK 12/16 TN	NKJ 9/16	NK 12/16
TAFI 102216	30	TAF 142216	21	10	14	22	16	11700	13700	NKI 10/16	NK 14/16	NKI 10/16	NK 14/16	NKJ 10/16 A	NK 14/16 A
TAFI 102220	38	TAF 142220	26.5	10	14	22	20	14800	18600	NKI 10/20	NK 14/20	NKI 10/20	NK 14/20	NKJ 10/20 A	NK 14/20 A
—	—	TAF 152316	22.5	—	15	23	16	12300	14900	—	NK 15/16	—	NK 15/16	—	NK 15/16 A
—	—	TAF 152320	28	—	15	23	20	15600	20200	—	NK 15/20	—	NK 15/20	—	NK 15/20 A
TAFI 122416	33.5	TAF 162416	23	12	16	24	16	12300	15100	NKI 12/16	NK 16/16	NKI 12/16	NK 16/16	NKJ 12/16 A	NK 16/16 A
TAFI 122420	42.5	TAF 162420	29	12	16	24	20	15500	20400	NKI 12/20	NK 16/20	NKI 12/20	NK 16/20	NKJ 12/20 A	NK 16/20 A
—	—	TAF 172516	24.5	—	17	25	16	12900	16300	—	NK 17/16	—	NK 17/16	—	NK 17/16 A
—	—	TAF 172520	30.5	—	17	25	20	16300	22000	—	NK 17/20	—	NK 17/20	—	NK 17/20 A
—	—	TAF 182616	25.5	—	18	26	16	13400	17500	—	NK 18/16	—	NK 18/16	—	NK 18/16 A
—	—	TAF 182620	32	—	18	26	20	17000	23600	—	NK 18/20	—	NK 18/20	—	NK 18/20 A
TAFI 152716	39.5	TAF 192716	27	15	19	27	16	14000	18700	NKI 15/16	NK 19/16	NKI 15/16	NK 19/16	NKJ 15/16 A	NK 19/16 A
TAFI 152720	50	TAF 192720	34	15	19	27	20	17700	25300	NKI 15/20	NK 19/20	NKI 15/20	NK 19/20	NKJ 15/20 A	NK 19/20 A
—	—	TAF 202816	27.5	—	20	28	16	13900	18800	—	NK 20/16	—	NK 20/16	—	NK 20/16 A
—	—	TAF 202820	35.5	—	20	28	20	17600	25400	—	NK 20/20	—	NK 20/20	—	NK 20/20 A
TAFI 172916	43.5	TAF 212916	29	17	21	29	16	14400	20000	NKI 17/16	NK 21/16	NKI 17/16	NK 21/16	NKJ 17/16 A	NK 21/16 A
TAFI 172920	54	TAF 212920	36	17	21	29	20	18200	27100	NKI 17/20	NK 21/20	NKI 17/20	NK 21/20	NKJ 17/20 A	NK 21/20 A
—	—	TAF 223016	30	—	22	30	16	14900	21200	—	NK 22/16	—	NK 22/16	—	NK 22/16 A
—	—	TAF 223020	37.5	—	22	30	20	18900	28700	—	NK 22/20	—	NK 22/20	—	NK 22/20 A
TAFI 203216	48.5	TAF 243216	32	20	24	32	16	15300	22500	NKI 20/16	NK 24/16	NKI 20/16	NK 24/16	NKJ 20/16 A	NK 24/16 A
TAFI 203220	61	TAF 243220	40.5	20	24	32	20	19400	30500	NKI 20/20	NK 24/20	NKI 20/20	NK 24/20	NKJ 20/20 A	NK 24/20 A
—	—	TAF 253316	33.5	—	25	33	16	15800	23700	—	NK 25/16	—	NK 25/16	—	NK 25/16 A
—	—	TAF 253320	42	—	25	33	20	20000	32100	—	NK 25/20	—	NK 25/20	—	NK 25/20 A
TAFI 223416	52	TAF 263416	34.5	22	26	34	16	16300	24900	NKI 22/16	NK 26/16	NKI 22/16	NK 26/16	NKJ 22/16 A	NK 26/16 A
TAFI 223420	67.5	TAF 263420	43.5	22	26	34	20	20600	33800	NKI 22/20	NK 26/20	NKI 22/20	NK 26/20	NKJ 22/20 A	NK 26/20 A
—	—	TAF 283720	51.5	—	28	37	20	21700	37100	—	NK 28/20	—	NK 28/20	—	NK 28/20 A
—	—	TAF 283730	83.5	—	28	37	30	31100	58900	—	NK 28/30	—	NK 28/30	—	NK 28/30 ASR 1
TAFI 253820	82	TAF 293820	57	25	29	38	20	21600	37200	NKI 25/20	NK 29/20	NKI 25/20	NK 29/20	NKJ 25/20 A	NK 29/20 A

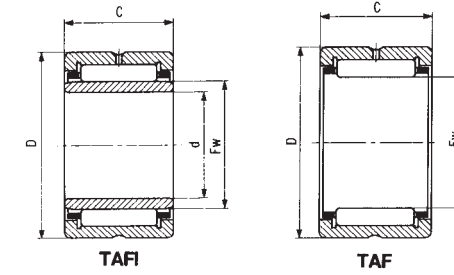
Remark: When Fw is 26 or less, an oil hole is optionally available.



DIMENSION TABLE

INTERCHANGE TABLE

IKO NUMBER WITH INNER RING TAFI	WEIGHT (g)	IKO NUMBER WITHOUT INNER RING TAF	WEIGHT (g)	DIMENSIONS (mm)				BASIC DYNAMIC LOAD RATING (N)	BASIC STATIC LOAD RATING (N)	INA		SKF		FAG	
				d	Fw	D	C			WITH INNER RING NKI	WITHOUT INNER RING NK	WITH INNER RING NKI	WITHOUT INNER RING NK	WITH INNER RING NKJ	WITHOUT INNER RING NK
TAFI 253830	123	TAF 293830	85	25	29	38	30	30900	59100	NKI 25/30	NK 29/30	NKI 25/30	NK 29/30	NKJ 25/30 A	NK 29/30 A
—	—	TAF 304020	64.5	—	30	40	20	25100	40100	—	NK 30/20	—	NK 30/20	—	NK 30/20 A
—	—	TAF 304030	97.5	—	30	40	30	36000	63900	—	NK 30/30	—	NK 30/30	—	NK 30/30 A
TAFI 284220	96.5	TAF 324220	68	28	32	42	20	25700	42200	NKI 28/20	NK 32/20	NKI 28/20	NK 32/20	NKJ 28/20 A	NK 32/20 A
TAFI 284230	145	TAF 324230	102	28	32	42	30	36800	67200	NKI 28/30	NK 32/30	NKI 28/30	NK 32/30	NKJ 28/30 A	NK 32/30 A
TAFI 304520	112	TAF 354520	73.5	30	35	45	20	26900	46200	NKI 30/20	NK 35/20	NKI 30/20	NK 35/20	NKJ 30/20 A	NK 35/20 A
TAFI 304530	171	TAF 354530	112	30	35	45	30	38600	73600	NKI 30/30	NK 35/30	NKI 30/30	NK 35/30	NKJ 30/30 A	NK 35/30 A
TAFI 324720	121	TAF 374720	77.5	32	37	47	20	28200	50100	NKI 32/20	NK 37/20	NKI 32/20	NK 37/20	NKJ 32/20 A	NK 37/20 A
TAFI 324730	180	TAF 374730	117	32	37	47	30	40500	79800	NKI 32/30	NK 37/30	NKI 32/30	NK 37/30	NKJ 32/30 A	NK 37/30 A
—	—	TAF 384820	79	—	38	48	20	28100	50200	—	NK 38/20	—	NK 38/20	—	NK 38/20 B.ASR 1
—	—	TAF 384830	119	—	38	48	30	40300	80000	—	NK 38/30	—	NK 38/30	—	NK 38/30 ASR 1
TAFI 355020	129	TAF 405020	83	35	40	50	20	29400	54100	NKI 35/20	NK 40/20	NKI 35/20	NK 40/20	NKJ 35/20 A	NK 40/20 A
TAFI 355030	192	TAF 405030	125	35	40	50	30	42300	86200	NKI 35/30	NK 40/30	NKI 35/30	NK 40/30	NKJ 35/30 A	NK 40/30 A
—	—	TAF 425220	86.5	—	42	52	20	29900	56200	—	NK 42/20	—	NK 42/20	—	NK 42/20 A
—	—	TAF 425230	130	—	42	52	30	43000	89400	—	NK 42/30	—	NK 42/30	—	NK 42/30 A
TAFI 385320	136	TAF 435320	88.5	38	43	53	20	30500	58200	NKI 38/20	NK 43/20	NKI 38/20	NK 43/20	NKJ 38/20 A	NK 43/20 A
TAFI 385330	205	TAF 435330	133	38	43	53	30	43800	92600	NKI 38/30	NK 43/30	NKI 38/30	NK 43/30	NKJ 38/30 A	NK 43/30 A
TAFI 405520	143	TAF 455520	92	40	45	55	20	31000	60200	NKI 40/20	NK 45/20	NKI 40/20	NK 45/20	NKJ 40/20 A	NK 45/20 A
TAFI 405530	215	TAF 455530	138	40	45	55	30	44600	95800	NKI 40/30	NK 45/30	NKI 40/30	NK 45/30	NKJ 40/30 A	NK 45/30 A
TAFI 425720	149	TAF 475720	95	42	47	57	20	31500	62200	NKI 42/20	NK 47/20	NKI 42/20	NK 47/20	NKJ 42/20 A	NK 47/20 A
TAFI 425730	225	TAF 475730	144	42	47	57	30	45200	99100	NKI 42/30	NK 47/30	NKI 42/30	NK 47/30	NKJ 42/30 A	NK 47/30 A
TAFI 456225	230	TAF 506225	159	45	50	62	25	43000	85300	NKI 45/25	NK 50/25	NKI 45/25	NK 50/25	NKJ 45/25 A	NK 50/25 A
TAFI 456235	320	TAF 506235	225	45	50	62	35	58000	125000	NKI 45/35	NK 50/35	NKI 45/35	NK 50/35	NKJ 45/35 A	NK 50/35 A
TAFI 506825	270	TAF 556825	193	50	55	68	25	45400	94000	NKI 50/25	NK 55/25	NKI 50/25	NK 55/25	NKJ 50/25 A	NK 55/25 A
TAFI 506835	365	TAF 556835	255	50	55	68	35	61200	138000	NKI 50/35	NK 55/35	NKI 50/35	NK 55/35	NKJ 50/35 A	NK 55/35 A
TAFI 557225	275	TAF 607225	187	55	60	72	25	47500	103000	NKI 55/25	NK 60/25	NKI 55/25	NK 60/25	NKJ 55/25 A	NK 60/25 A
TAFI 557235	380	TAF 607235	260	55	60	72	35	64100	151000	NKI 55/35	NK 60/35	NKI 55/35	NK 60/35	NKJ 55/35 A	NK 60/35 A
—	—	TAF 657825	225	—	65	78	25	49600	112000	—	NK 65/25	—	NK 65/25	—	NK 65/25 A
—	—	TAF 657835	315	—	65	78	35	67000	164000	—	NK 65/35	—	NK 65/35	—	NK 65/35 A
TAFI 608225	395	TAF 688225	250	60	68	82	25	54800	117000	NKI 60/25	NK 68/25	NKI 60/25	NK 68/25	NKJ 60/25 A	NK 68/25 A
TAFI 608235	560	TAF 688235	350	60	68	82	35	72000	166000	NKI 60/35	NK 68/35	NKI 60/35	NK 68/35	NKJ 60/35 A	NK 68/35 A
—	—	TAF 708525	280	—	70	85	25	55500	120000	—	NK 70/25	—	NK 70/25	—	NK 70/25 ASR 1
—	—	TAF 708535	395	—	70	85	35	73000	171000	—	NK 70/35	—	NK 70/35	—	NK 70/35 ASR 1
—	—	TAF 739025	335	—	73	90	25	61100	127000	—	NK 73/25	—	NK 73/25	—	NK 73/25 A
TAFI 659035	710	TAF 739035	475	65	73	90	35	80400	181000	NKI 65/35	NK 73/35	NKI 65/35	NK 73/35	NKJ 65/35 A	NK 73/35 A
—	—	TAF 759225	345	—	75	92	25	62100	131000	—	NK 75/25	—	NK 75/25	—	NK 75/25 ASR 1
—	—	TAF 759235	485	—	75	92	35	81700	186000	—	NK 75/35	—	NK 75/35	—	NK 75/35 ASR 1
TAFI 709525	540	TAF 809525	315	70	80	95	25	59400	137000	NKI 70/25	NK 80/25	NKI 70/25	NK 80/25	NKJ 70/25 A	NK 80/25 A
TAFI 709535	755	TAF 809535	445	70	80	95	35	78100	195000	NKI 70/35	NK 80/35	NKI 70/35	NK 80/35	NKJ 70/35 ASR 1	NK 80/35 ASR 1
TAFI 7510525	675	TAF 8510525	435	75	85	105	25	76300	145000	NKI 75/25	NK 85/25	NKI 75/25	NK 85/25	NKJ 75/25 A	NK 85/25 A



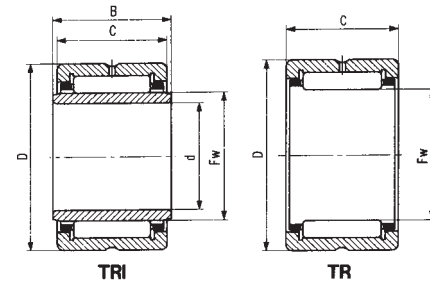
DIMENSION TABLE

INTERCHANGE TABLE

IKO NUMBER WITH INNER RING TAFI	WEIGHT (g)	IKO NUMBER WITHOUT INNER RING TAF	WEIGHT (g)	DIMENSIONS (mm)				BASIC DYNAMIC LOAD RATING (N)	BASIC STATIC LOAD RATING (N)	INA		SKF		FAG	
				d	Fw	D	C			WITH INNER RING NKI	WITHOUT INNER RING NK	WITH INNER RING NKI	WITHOUT INNER RING NK	WITH INNER RING NKJ	WITHOUT INNER RING NK
TAFI 7510535	945	TAF 8510535	610	75	85	105	35	102000	210000	NKI 75/35	NK 85/35	NKI 75/35	NK 85/35	NKJ 75/35 A	NK 85/35 A
TAFI 8011025	710	TAF 9011025	456	80	90	110	25	77300	150000	NKI 80/25	NK 90/25	NKI 80/25	NK 90/25	NKJ 80/25 A	NK 90/25 A
TAFI 8011035	995	TAF 9011035	640	80	90	110	35	103000	217000	NKI 80/35	NK 90/35	NKI 80/35	NK 90/35	NKJ 80/35 A	NK 90/35 A
TAFI 8511526	775	TAF 9511526	495	85	95	115	26	79700	159000	NKI 85/26	NK 95/26	NKI 85/26	NK 95/26	NKJ 85/26 ASR 1	NK 95/26 ASR 1
TAFI 8511536	1080	TAF 9511536	690	85	95	115	36	106000	231000	NKI 85/36	NK 95/36	NKI 85/36	NK 95/36	NKJ 85/36 A	NK 95/36 A
TAFI 9012026	820	TAF 10012026	525	90	100	120	26	82400	168000	NKI 90/26	NK 100/26	NKI 90/26	NK 100/26	NKJ 90/26 A	NK 100/26 A
TAFI 9012036	1140	TAF 10012036	725	90	100	120	36	110000	244000	NKI 90/36	NK 100/36	NKI 90/36	NK 100/36	NKJ 90/36 A	NK 100/36 A
TAFI 9512526	860	TAF 10512526	545	95	105	125	26	84700	178000	NKI 95/26	NK 105/26	NKI 95/26	NK 105/26	NKJ 95/26 ASR 1	NK 105/26 ASR 1
TAFI 9512536	1190	TAF 10512536	760	95	105	125	36	113000	258000	NKI 95/36	NK 105/36	NKI 95/36	NK 105/36	NKJ 95/36 ASR 1	NK 105/36 ASR 1
TAFI 10013030	1040	TAF 11013030	660	100	110	130	30	106000	240000	NKI 100/30	NK 110/30	NKI 100/30	NK 110/30	NKJ 100/30 A	NK 110/30 A
TAFI 10013040	1380	TAF 11013040	880	100	110	130	40	134000	324000	NKI 100/40	NK 110/40	NKI 100/40	NK 110/40	NKJ 100/40 A	NK 110/40 A

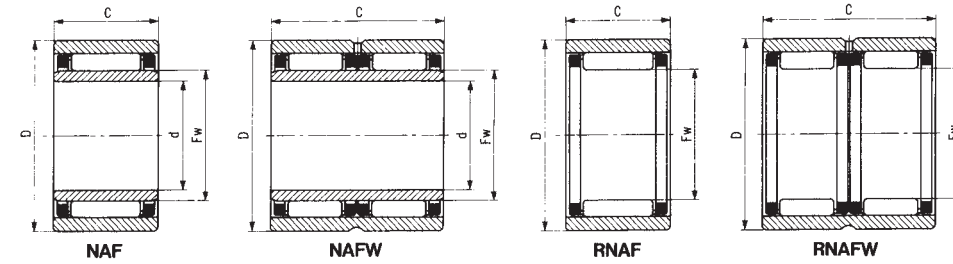
**MACHINED TYPE
NEEDLE ROLLER BEARINGS**

Metric Dimension



DIMENSION TABLE

IKO NUMBER WITH INNER RING TRI	WEIGHT (g)	IKO NUMBER WITHOUT INNER RING TR	WEIGHT (g)	DIMENSIONS (mm)					BASIC DYNAMIC LOAD RATING (N)	BASIC STATIC LOAD RATING (N)
				d	Fw	D	C	B		
TRI 153320	81	TR 203320	59.5	15	20	33	20	20.5	24300	26500
TRI 173425	104	TR 223425	73.5	17	22	34	25	25.5	29100	36800
TRI 203820	99	TR 253820	71	20	25	38	20	20.5	28900	35000
TRI 203825	124	TR 253825	89	20	25	38	25	25.5	34800	44400
TRI 254425	157	TR 304425	115	25	30	44	25	25.5	37900	52100
TRI 304830	199	TR 354830	139	30	35	48	30	30.5	47400	72300
TRI 325230	245	TR 385230	168	32	38	52	30	30.5	50800	81100
—	—	TR 405520	129	—	40	55	20	—	37400	55700
TRI 355630	280	TR 425630	183	35	42	56	30	30.5	53800	90100
TRI 405930	270	TR 455930	193	40	45	59	30	30.5	55100	94800
TRI 426230	305	TR 486230	205	42	48	62	30	30.5	56300	99500
TRI 456430	300	TR 506430	210	45	50	64	30	30.5	57700	104000
TRI 507745	755	TR 587745	515	50	58	77	45	45.5	10400	191000
TRI 558138	650	TR 628138	460	55	62	81	38	38.5	92000	166000
TRI 608945	960	TR 708945	605	60	70	89	45	45.5	114000	228000
TRI 7510845	1340	TR 8310845	995	75	83	108	45	45.5	146000	270000
TRI 8511850	1640	TR 9311850	1210	85	93	118	50	50.5	165000	329000
TRI 8512045	1610	TR 9512045	1120	85	95	120	45	45.5	155000	305000
TRI 9012550	1870	TR 10012550	1290	90	100	125	50	50.5	172000	355000
TRI 10013550	2040	TR 11013550	1400	100	110	135	50	50.5	183000	395000
TRI 10515350	3020	TR 11515350	2350	105	115	153	50	50.5	233000	414000
TRI 12517860	4780	TR 14017860	3320	125	140	178	60	60.5	307000	625000
TRI 13518860	5100	TR 15018860	3540	135	150	188	60	60.5	320000	675000

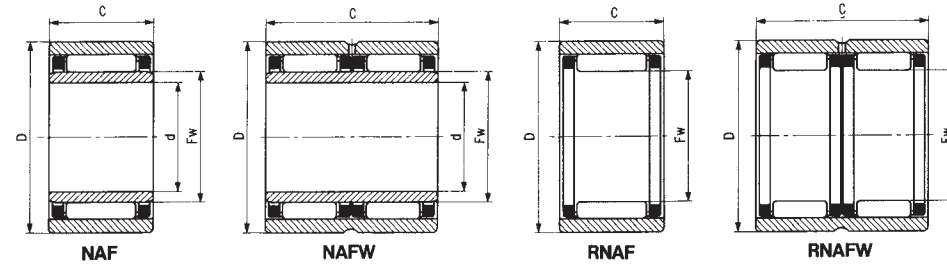


DIMENSION TABLE

INTERCHANGE TABLE

IKO NUMBER WITH INNER RING NAF(W)	WEIGHT (g)	IKO NUMBER WITHOUT INNER RING RNAF(W)	WEIGHT (g)	DIMENSIONS (mm)				BASIC DYNAMIC LOAD RATING (N)	BASIC STATIC LOAD RATING (N)	INA		SKF		FAG	
				d	Fw	D	C			WITH INNER RING NAO	WITHOUT INNER RING RNAO	WITH INNER RING NAO	WITHOUT INNER RING RNAO	WITH INNER RING NAO	WITHOUT INNER RING RNAO
—	—	RNAF 5108 N	2.8	—	5	10	8	2420	1950	—	RNAO 5×10×8 TN	—	RNAO 5×10×8 TN	—	—
—	—	RNAF 6138 N	5.5	—	6	13	8	2700	2320	—	RNAO 6×13×8 TN	—	RNAO 6×13×8 TN	—	—
—	—	RNAF 7148 N	6.1	—	7	14	8	2960	2690	—	RNAO 7×14×8 TN	—	RNAO 7×14×8 TN	—	—
—	—	RNAF 81510	8.2	—	8	15	10	3630	3600	—	RNAO 8×15×10 TN	—	RNAO 8×15×10 TN	—	—
—	—	RNAFW 81620	20.5	—	8	16	20	6220	7200	—	—	—	—	—	—
NAF 61710	13.5	RNAF 101710	9.6	6	10	17	10	4160	4550	NAO 6×17×10 TN	RNAO 10×17×10 TN	NAO 6×17×10 TN	RNAO 10×17×10 TN	NAO 6×17×10	RNAO 10×17×10
NAF 72012	22.5	RNAF 102012	18.7	7	10	20	12	5940	6000	—	—	—	—	—	—
NAF 92212	24	RNAF 122212	19.5	9	12	22	12	9030	8460	NAO 9×22×12 TN	RNAO 12×22×12 TN	—	RNAO 12×22×12	—	—
NAF 102213	26	RNAF 142213	18.7	10	14	22	13	7860	9410	—	—	NAO 10×22×13	RNAO 14×22×13	NAO 10×22×13	RNAO 14×22×13
NAFW 102220	40	RNAFW 142220	28.5	10	14	22	20	10800	14200	—	—	NAO 10×22×20	RNAO 14×22×20	NAO 10×22×20	RNAO 14×22×20
NAF 102612	36	RNAF 142612	29	10	14	26	12	9790	9680	—	—	NAO 10×26×12	RNAO 14×26×12	NAO 10×26×12	RNAO 14×26×12
—	—	RNAF 152313	19.7	—	15	23	13	8250	10200	—	RNAO 15×23×13	—	RNAO 15×23×13	—	—
—	—	RNAFW 152320	30.5	—	15	23	20	11400	15400	—	—	—	RNAO 15×23×20	—	—
NAF 122413	29.5	RNAF 162413	21	12	16	24	13	8620	11000	NAO 12×24×13	RNAO 16×24×13	NAO 12×24×13	RNAO 16×24×13	NAO 12×24×13	RNAO 16×24×13
NAFW 122420	45.5	RNAFW 162420	32	12	16	24	20	11900	16700	NAO 12×24×20	RNAO 16×24×20	NAO 12×24×20	RNAO 16×24×20	NAO 12×24×20	RNAO 16×24×20
NAF 122812	40	RNAF 162812	31.5	12	16	28	12	10500	10900	NAO 12×28×12	RNAO 16×28×12	NAO 12×28×12	RNAO 16×28×12	NAO 12×28×12	RNAO 16×28×12
—	—	RNAF 172513	22	—	17	25	13	8980	11800	—	RNAO 17×25×13	—	RNAO 17×25×13	—	—
—	—	RNAFW 172520	33.5	—	17	25	20	12400	17900	—	—	—	RNAO 17×25×20	—	—
—	—	RNAF 182613	23	—	18	26	13	9330	12700	—	—	—	RNAO 18×26×13	—	—
—	—	RNAFW 182620	35	—	18	26	20	12900	19100	—	—	—	RNAO 18×26×20	—	—
—	—	RNAF 183012	34.5	—	18	30	12	11800	13100	—	—	—	RNAO 18×30×12	—	—
—	—	RNAFW 183024	69.5	—	18	30	24	20200	26200	—	RNAO 18×30×24	—	RNAO 18×30×24	—	—
NAF 152813	38.5	RNAF 202813	25	15	20	28	13	9590	13500	NAO 15×28×13	RNAO 20×28×13	NAO 15×28×13	RNAO 20×28×13	NAO 15×28×13	RNAO 20×28×13
NAFW 152826	77.5	RNAFW 202826	49.5	15	20	28	26	16400	27100	—	RNAO 20×28×26	NAO 15×28×26	RNAO 20×28×26	NAO 15×28×26	RNAO 20×28×26
NAF 153212	50.5	RNAF 203212	37.5	15	20	32	12	12400	14300	NAO 15×32×12	RNAO 20×32×12	NAO 15×32×12	RNAO 20×32×12	NAO 15×32×12	RNAO 20×32×12
—	—	RNAFW 203224	75	—	20	32	24	21200	28600	—	—	—	RNAO 20×32×24	—	—
NAF 173013	42.5	RNAF 223013	27	17	22	30	13	10200	15200	NAO 17×30×13	RNAO 22×30×13	NAO 17×30×13	RNAO 22×30×13	NAO 17×30×13	RNAO 22×30×13
NAFW 173026	84.5	RNAFW 223026	53.5	17	22	30	26	17500	30300	—	—	NAO 17×30×26	RNAO 22×30×26	NAO 17×30×26	RNAO 22×30×26
NAF 173516	77.5	RNAF 223516	58.5	17	22	35	16	17600	20900	NAO 17×35×16	RNAO 22×35×16	NAO 17×35×16	RNAO 22×35×16	NAO 17×35×16	RNAO 22×35×16
NAFW 173532	155	RNAFW 223532	117	17	22	35	32	30200	41800	—	—	NAO 17×35×32	RNAO 22×35×32	NAO 17×35×32	RNAO 22×35×32
NAF 203517	74	RNAF 253517	51	20	25	35	17	17300	26600	—	RNAO 25×35×17	—	RNAO 25×35×17	—	RNAO 25×35×17
NAFW 203526	114	RNAFW 253526	78	20	25	35	26	22400	37200	—	RNAO 25×35×26	NAO 20×35×26	RNAO 25×35×26	NAO 20×35×26	RNAO 25×35×26
NAF 203716	79	RNAF 253716	57	20	25	37	16	19400	24500	NAO 20×37×16	RNAO 25×37×16	NAO 20×37×16	RNAO 25×37×16	NAO 20×37×16	RNAO 25×37×16
NAFW 203732	158	RNAFW 253732	114	20	25	37	32	33200	49000	—	RNAO 25×37×32	NAO 20×37×32	RNAO 25×37×32	NAO 20×37×32	RNAO 25×37×32
—	—	RNAF 284016	62.5	—	28	40	16	20100	26500	—	—	—	RNAO 28×40×16	—	—
—	—	RNAFW 284032	125	—	28	40	32	34400	53000	—	—	—	RNAO 28×40×32	—	—
NAF 254017	87.5	RNAF 304017	59	25	30	40	17	18700	31100	NAO 25×40×17	RNAO 30×40×17	NAO 25×40×17	RNAO 30×40×17	NAO 25×40×17	RNAO 30×40×17
NAFW 254026	135	RNAFW 304026	90.5	25	30	40	26	24200	43400	—	RNAO 30×40×26	NAO 25×40×26	RNAO 30×40×26	NAO 25×40×26	RNAO 30×40×26
NAF 254216	94	RNAF 304216	66	25	30	42	16	20800	28400	NAO 25×42×16	RNAO 30×42×16	NAO 25×42×16	RNAO 30×42×16	NAO 25×42×16	RNAO 30×42×16
NAFW 254232	186	RNAFW 304232	132	25	30	42	32	35700	56800	NAO 25×42×32	RNAO 30×42×32	NAO 25×42×32	RNAO 30×42×32	NAO 25×42×32	RNAO 30×42×32

Remark: When Fw is 26 or less, an oil hole is optionally available.



DIMENSION TABLE

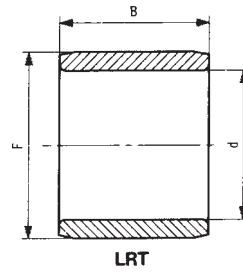
INTERCHANGE TABLE

IKO NUMBER WITH INNER RING NAF(W)	WEIGHT (g)	IKO NUMBER WITHOUT INNER RING RNAF(W)	WEIGHT (g)	DIMENSIONS (mm)				BASIC DYNAMIC LOAD RATING (N)	BASIC STATIC LOAD RATING (N)	INA		SKF		FAG	
				d	Fw	D	C			WITH INNER RING NAO	WITHOUT INNER RING RNAO	WITH INNER RING NAO	WITHOUT INNER RING RNAO	WITH INNER RING NAO	WITHOUT INNER RING RNAO
NAF 304517	101	RNAF 354517	67.5	30	35	45	17	20500	36900	NAO 30×45×17	RNAO 35×45×17	NAO 30×45×17	RNAO 35×45×17	NAO 30×45×17	RNAO 35×45×17
NAFW 304526	155	RNAFW 354526	103	30	35	45	26	26600	51500	NAO 30×45×26	RNAO 35×45×26	NAO 30×45×26	RNAO 35×45×26	NAO 30×45×26	RNAO 35×45×26
NAF 304716	107	RNAF 354716	75.5	30	35	47	16	23100	33900	NAO 30×47×16	RNAO 35×47×16	NAO 30×47×16	RNAO 35×47×16	NAO 30×47×16	RNAO 35×47×16
NAFW 304732	215	RNAFW 354732	151	30	35	47	32	39500	67800	—	RNAO 35×47×32	NAO 30×47×32	RNAO 35×47×32	NAO 30×47×32	RNAO 35×47×32
NAF 355017	115	RNAF 405017	76	35	40	50	17	22200	42700	NAO 35×50×17	RNAO 40×50×17	NAO 35×50×17	RNAO 40×50×17	NAO 35×50×17	RNAO 40×50×17
NAFW 355034	230	RNAFW 405034	152	35	40	50	34	38000	85400	—	RNAO 40×50×34	NAO 35×50×34	RNAO 40×50×34	NAO 35×50×34	RNAO 40×50×34
NAF 355520	186	RNAF 405520	140	35	40	55	20	31400	48000	NAO 35×55×20	RNAO 40×55×20	NAO 35×55×20	RNAO 40×55×20	NAO 35×55×20	RNAO 40×55×20
NAFW 355540	375	RNAFW 405540	280	35	40	55	40	53900	96000	—	RNAO 40×55×40	NAO 35×55×40	RNAO 40×55×40	NAO 35×55×40	RNAO 40×55×40
NAF 405517	128	RNAF 455517	83.5	40	45	55	17	23300	47100	NAO 40×55×17	RNAO 45×55×17	NAO 40×55×17	RNAO 45×55×17	NAO 40×55×17	RNAO 45×55×17
NAFW 405534	255	RNAFW 455534	167	40	45	55	34	39900	94200	—	—	NAO 40×55×34	RNAO 45×55×34	NAO 40×55×34	RNAO 45×55×34
NAF 406220	235	RNAF 456220	184	40	45	62	20	33200	53300	—	—	NAO 40×62×20	RNAO 45×62×20	NAO 40×62×20	RNAO 45×62×20
NAFW 406240	475	RNAFW 456240	370	40	45	62	40	56900	107000	—	RNAO 45×62×40	NAO 40×62×40	RNAO 45×62×40	NAO 40×62×40	RNAO 45×62×40
NAF 456220	196	RNAF 506220	138	45	50	62	20	27100	59300	—	RNAO 50×62×20	NAO 45×62×20	RNAO 50×62×20	NAO 45×62×20	RNAO 50×62×20
NAFW 456240	390	RNAFW 506240	275	45	50	62	40	46400	119000	—	—	NAO 45×62×40	RNAO 50×62×40	NAO 45×62×40	RNAO 50×62×40
—	—	RNAF 506520	170	—	50	65	20	35900	61100	—	RNAO 50×65×20	—	RNAO 50×65×20	—	—
—	—	RNAFW 506540	340	—	50	65	40	61500	122000	—	RNAO 50×65×40	—	RNAO 50×65×40	—	—
NAF 506820	230	RNAF 556820	167	50	55	68	20	28600	66000	NAO 50×68×20	RNAO 55×68×20	NAO 50×68×20	RNAO 55×68×20	NAO 50×68×20	RNAO 55×68×20
NAFW 506840	465	RNAFW 556840	335	50	55	68	40	49000	132000	—	—	NAO 50×68×40	RNAO 55×68×40	NAO 50×68×40	RNAO 55×68×40
NAF 457220	340	RNAF 557220	220	45	55	72	20	37400	66400	—	—	NAO 45×72×20	RNAO 55×72×20	NAO 45×72×20	RNAO 55×72×20
NAFW 457240	685	RNAFW 557240	440	45	55	72	40	64100	133000	—	—	NAO 45×72×40	RNAO 55×72×40	NAO 45×72×40	RNAO 55×72×40
NAF 507820	390	RNAF 607820	255	50	60	78	20	38900	71700	NAO 50×78×20	RNAO 60×78×20	NAO 50×78×20	RNAO 60×78×20	NAO 50×78×20	RNAO 60×78×20
NAFW 507840	775	RNAFW 607840	510	50	60	78	40	66700	143000	—	RNAO 60×78×40	NAO 50×78×40	RNAO 60×78×40	NAO 50×78×40	RNAO 60×78×40
NAF 558530	690	RNAF 658530	470	55	65	85	30	59300	127000	—	RNAO 65×85×30	NAO 55×85×30	RNAO 65×85×30	NAO 55×85×30	RNAO 65×85×30
NAFW 558560	1380	RNAFW 658560	945	55	65	85	60	102000	255000	—	—	NAO 55×85×60	RNAO 65×85×60	NAO 55×85×60	RNAO 65×85×60
NAF 609030	740	RNAF 709030	500	60	70	90	30	61200	136000	—	RNAO 70×90×30	NAO 60×90×30	RNAO 70×90×30	NAO 60×90×30	RNAO 70×90×30
NAFW 609060	1480	RNAFW 709060	1000	60	70	90	60	105000	272000	—	—	NAO 60×90×60	RNAO 70×90×60	NAO 60×90×60	RNAO 70×90×60
NAF 659530	790	RNAF 759530	530	65	75	95	30	63100	144000	—	—	NAO 65×95×30	RNAO 75×95×30	NAO 65×95×30	RNAO 75×95×30
NAFW 659560	1580	RNAFW 759560	1060	65	75	95	60	108000	289000	—	—	NAO 65×95×60	RNAO 75×95×60	NAO 65×95×60	RNAO 75×95×60
NAF 7010030	835	RNAF 8010030	560	70	80	100	30	65000	153000	NAO 70×100×30	RNAO 80×100×30	NAO 70×100×30	RNAO 80×100×30	NAO 70×100×30	RNAO 80×100×30
NAFW 7010060	1680	RNAFW 8010060	1120	70	80	100	60	111000	306000	—	—	NAO 70×100×60	RNAO 80×100×60	NAO 70×100×60	RNAO 80×100×60
NAF 7510530	885	RNAF 8510530	590	75	85	105	30	66600	161000	—	—	NAO 75×105×30	RNAO 85×105×30	NAO 75×105×30	RNAO 85×105×30
NAF 8011030	935	RNAF 9011030	625	80	90	110	30	69600	174000	NAO 80×110×30	RNAO 90×110×30	NAO 80×110×30	RNAO 90×110×30	NAO 80×110×30	RNAO 90×110×30
NAF 8511530	985	RNAF 9511530	655	85	95	115	30	70900	182000	—	—	NAO 85×115×30	RNAO 95×115×30	NAO 85×115×30	RNAO 95×115×30
NAF 9012030	1040	RNAF 10012030	685	90	100	120	30	72500	191000	NAO 90×120×30	RNAO 100×120×30	NAO 90×120×30	RNAO 100×120×30	NAO 90×120×30	RNAO 100×120×30

Remark: When Fw is 26 or less, an oil hole is optionally available.

**INNER RACES FOR MACHINED TYPE
NEEDLE ROLLER BEARINGS**

Metric Dimension



DIMENSION TABLE

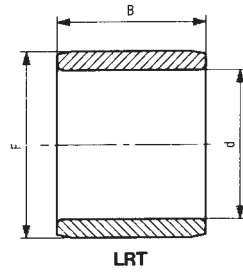
INTERCHANGE TABLE

IKO NUMBER LRT	WEIGHT (g)	DIMENSIONS (mm)			USABLE BEARING NUMBER	INA IR	SKF IR	FAG JR
		d	F	B				
LRT 5710	1.4	5	7	10	RNA 495	—	—	—
LRT 5812	2.8	5	8	12	TAF 81512	IR 5×8×12	IR 5×8×12	JR 5×8×12
LRT 5816	3.8	5	8	16	TAF 81516	IR 5×8×16	IR 5×8×16	JR 5×8×16
LRT 6810	1.7	6	8	10	RNA 496	—	—	—
LRT 6912	3.2	6	9	12	TAF 91612	IR 6×9×12	IR 6×9×12	JR 6×9×12
LRT 6916	4.3	6	9	16	TAF 91616	IR 6×9×16	IR 6×9×16	JR 6×9×16
LRT 61010	3.9	6	10	10	RNAF 101710	IR 6×10×10	IR 6×10×10	JR 6×10×10
LRT 7910	1.9	7	9	10	RNA 497	—	—	—
LRT 71012	3.6	7	10	12	TAF 101712	IR 7×10×12	IR 7×10×12	JR 7×10×12
LRT 71012-1	3.6	7	10	12	RNAF 102012	IR 7×10×12	IR 7×10×12	JR 7×10×12
LRT 71016	4.9	7	10	16	TAF 101716 NAX 1023	IR 7×10×16	IR 7×10×16	JR 7×10×16
LRT 81011	2.4	8	10	11	RNA 498	—	—	—
LRT 91211	3.1	9	12	11	RNA 499	—	—	—
LRT 91212	4.5	9	12	12	TAF 121912 RNAF 122212	IR 9×12×12	IR 9×12×12	JR 9×12×12
LRT 91216	6	9	12	16	TAF 121916 NAX 1223	IR 9×12×16	IR 9×12×16	JR 9×12×16
LRT 101412	7	10	14	12	RNAF 142612	IR 10×14×12	IR 10×14×12	JR 10×14×12
LRT 101413	7.5	10	14	13	RNA 4900 RNAF 142213	IR 10×14×13	IR 10×14×13	JR 10×14×13
LRT 101416	9	10	14	16	TAF 142216	IR 10×14×16	IR 10×14×16	JR 10×14×16
LRT 101420	11.5	10	14	20	TAF 142220 RNAFW 142220	IR 10×14×20	IR 10×14×20	JR 10×14×20
LRT 101513	10	10	15	13	NAX 15	—	—	—
LRT 121516	8	12	15	16.5	NAX 1523 NBX 1523	IR 12×15×16.5	IR 12×15×16.5	JR 12×15×16.5
LRT 121612	8.5	12	16	12	RNAF 162812	IR 12×16×12	IR 12×16×12	JR 12×16×12
LRT 121613	8.5	12	16	13	RNA 4901 RNAF 162413	IR 12×16×13	IR 12×16×13	JR 12×16×13
LRT 121616	10.5	12	16	16	TAF 162416	IR 12×16×16	IR 12×16×16	JR 12×16×16
LRT 121620	13.5	12	16	20	TAF 162420 RNAFW 162420	IR 12×16×20	IR 12×16×20	JR 12×16×20
LRT 121622	14.5	12	16	22	RNA 6901	IR 12×16×22	IR 12×16×22	JR 12×16×22
LRT 121713	11.5	12	17	13	NAX 17	—	—	—
LRT 141717	9.5	14	17	17	NAX 1725 NBX 1725	IR 14×17×17	IR 14×17×17	JR 14×17×17
LRT 151916	12.5	15	19	16	TAF 192716	IR 15×19×16	IR 15×19×16	JR 15×19×16
LRT 151920	16	15	19	20	TAF 192720	IR 15×19×20	IR 15×19×20	JR 15×19×20
LRT 152012	12	15	20	12	RNAF 203212	IR 15×20×12	IR 15×20×12	JR 15×20×12
LRT 152013	13.5	15	20	13	RNA 4902 RNAF 202813 NAX 20 NBX 20	IR 15×20×13	IR 15×20×13	JR 15×20×13
LRT 152020	21.5	15	20	20.5	TR 203320	—	—	—
LRT 152023	24	15	20	23	RNA 6902	IR 15×20×23	IR 15×20×23	JR 15×20×23
LRT 152026	28	15	20	26	RNAFW 202826	—	IR 15×20×26	JR 15×20×26
LRT 172020	13.5	17	20	20.5	NAX 2030 NBX 2030	IR 17×20×20.5	IR 17×20×20.5	JR 17×20×20.5
LRT 172116	14.5	17	21	16	TAF 212916	IR 17×21×16	IR 17×21×16	JR 17×21×16
LRT 172120	18	17	21	20	TAF 212920	IR 17×21×20	IR 17×21×20	JR 17×21×20
LRT 172213	15.5	17	22	13	RNA 4903 RNAF 223013	IR 17×22×13	IR 17×22×13	JR 17×22×13
LRT 172216	19	17	22	16	RNAF 223516	IR 17×22×16	IR 17×22×16	JR 17×22×16

DIMENSION TABLE

INTERCHANGE TABLE

IKO NUMBER LRT	WEIGHT (g)	DIMENSIONS (mm)			USABLE BEARING NUMBER	INA IR	SKF IR	FAG JR
		d	F	B				
LRT 172223	26.5	17	22	23	RNA 6903	IR 17×22×23	IR 17×22×23	JR 17×22×23
LRT 172225	30	17	22	25.5	TR 223425	—	—	—
LRT 172226	31	17	22	26	RNAFW 223026	—	IR 17×22×26	JR 17×22×26
LRT 172232	38	17	22	32	RNAFW 223532	—	IR 17×22×32	JR 17×22×32
LRT 202416	16.5	20	24	16	TAF 243216	IR 20×24×16	IR 20×24×16	JR 20×24×16
LRT 202420	20.5	20	24	20	TAF 243220	IR 20×24×20	IR 20×24×20	JR 20×24×20
LRT 202516	22	20	25	16	RNAF 253716	IR 20×25×16	IR 20×25×16	JR 20×25×16
LRT 202517	23	20	25	17	RNA 4904 RNAF 253517 NAX 25 NBX 25	IR 20×25×17	IR 20×25×17	JR 20×25×17
LRT 202520	28	20	25	20.5	TR 253820 NAX 2530 NBX 2530	IR 20×25×20.5	IR 20×25×20.5	JR 20×25×20.5
LRT 202525	35	20	25	25.5	TR 253825	—	—	—
LRT 202526	36	20	25	26	RNAFW 253526	—	IR 20×25×26	JR 20×25×26
LRT 202530	40.5	20	25	30	RNA 6904	IR 20×25×30	IR 20×25×30	JR 20×25×30
LRT 202532	44	20	25	32	RNAFW 253732	—	IR 20×25×32	JR 20×25×32
LRT 222616	17.5	22	26	16	TAF 263416	IR 22×26×16	IR 22×26×16	JR 22×26×16
LRT 222620	24	22	26	20	TAF 263420	IR 22×26×20	IR 22×26×20	JR 22×26×20
LRT 222817	30.5	22	28	17	RNA 49/22	IR 22×28×17	IR 22×28×17	JR 22×28×17
LRT 222830	55	22	28	30	RNA 69/22	IR 22×28×30	IR 22×28×30	JR 22×28×30
LRT 252920	25	25	29	20	TAF 293820	IR 25×29×20	IR 25×29×20	JR 25×29×20
LRT 252930	38	25	29	30	TAF 293830	IR 25×29×30	IR 25×29×30	JR 25×29×30
LRT 253016	28	25	30	16	RNAF 304216	IR 25×30×16	IR 25×30×16	JR 25×30×16
LRT 253017	28.5	25	30	17	RNA 4905 RNAF 304017 NAX 30 NBX 30	IR 25×30×17	IR 25×30×17	JR 25×30×17
LRT 253020	34	25	30	20.5	NAX 3030 NBX 3030	IR 25×30×20.5	IR 25×30×20.5	JR 25×30×20.5
LRT 253025	42	25	30	25.5	TR 304425	—	—	—
LRT 253026	44.5	25	30	26	RNAFW 304026	—	IR 25×30×26	JR 25×30×26
LRT 253030	49	25	30	30	RNA 6905	IR 25×30×30	IR 25×30×30	JR 25×30×30
LRT 253032	54	25	30	32	RNAFW 304232	IR 25×30×32	IR 25×30×32	JR 25×30×32
LRT 283217	24.5	28	32	17	RNA 49/28	IR 28×32×17	IR 28×32×17	JR 28×32×17
LRT 283220	28.5	28	32	20	TAF 324220	IR 28×32×20	IR 28×32×20	JR 28×32×20
LRT 283230	43	28	32	30	RNA 69/28 TAF 324230	IR 28×32×30	IR 28×32×30	JR 28×32×30
LRT 303516	31.5	30	35	16	RNAF 354716	IR 30×35×16	IR 30×35×16	JR 30×35×16
LRT 303517	33.5	30	35	17	RNA 4906 RNAF 354517 NAX 35 NBX 35	IR 30×35×17	IR 30×35×17	JR 30×35×17
LRT 303520	38.5	30	35	20	TAF 354520 NAX 3530 NBX 3530	IR 30×35×20	IR 30×35×20	JR 30×35×20
LRT 303526	52	30	35	26	RNAFW 354526	IR 30×35×26	IR 30×35×26	JR 30×35×26
LRT 303530	59	30	35	30	RNA 6906 TAF 354530	IR 30×35×30	IR 30×35×30	JR 30×35×30
LRT 303530-1	59	30	35	30.5	TR 354830	—	—	—



DIMENSION TABLE

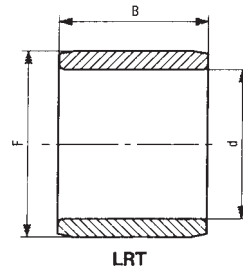
INTERCHANGE TABLE

IKO NUMBER	WEIGHT	DIMENSIONS			USABLE BEARING NUMBER	INA	SKF	FAG
		(mm)						
LRT	(g)	d	F	B		IR	IR	JR
LRT 303532	64	30	35	32	RNAFW 354732	—	IR 30×35×32	JR 30×35×32
LRT 323720	43.5	32	37	20	TAF 374720	IR 32×37×20	IR 32×37×20	JR 32×37×20
LRT 323730	63	32	37	30	TAF 374730	IR 32×37×30	IR 32×37×30	JR 32×37×30
LRT 323830	77	32	38	30.5	TR 385230	—	—	—
LRT 324020	69	32	40	20	RNA 49/32	IR 32×40×20	IR 32×40×20	JR 32×40×20
LRT 324036	123	32	40	36	RNA 69/32	IR 32×40×36	IR 32×40×36	JR 32×40×36
LRT 354017	39	35	40	17	RNAF 405017	IR 35×40×17	IR 35×40×17	JR 35×40×17
LRT 354020	46	35	40	20	TAF 405020 RNAF 405520 NAX 4032 NBX 4032	IR 35×40×20	IR 35×40×20	JR 35×40×20
LRT 354030	67	35	40	30	TAF 405030	IR 35×40×30	IR 35×40×30	JR 35×40×30
LRT 354034	78	35	40	34	RNAFW 405034 NAX 40 NBX 40	—	IR 35×40×34	JR 35×40×34
LRT 354040	95	35	40	40	RNAFW 405540	—	IR 35×40×40	JR 35×40×40
LRT 354220	65	35	42	20	RNA 4907	IR 35×42×20	IR 35×42×20	JR 35×42×20
LRT 354230	97	35	42	30.5	TR 425630	—	—	—
LRT 354236	120	35	42	36	RNA 6907	IR 35×42×36	IR 35×42×36	JR 35×42×36
LRT 384320	47.5	38	43	20	TAF 435320	IR 38×43×20	IR 38×43×20	JR 38×43×20
LRT 384330	72	38	43	30	TAF 435330	IR 38×43×30	IR 38×43×30	JR 38×43×30
LRT 404517	44.5	40	45	17	RNAF 455517	IR 40×45×17	IR 40×45×17	JR 40×45×17
LRT 404520	51	40	45	20	TAF 455520 RNAF 456220 NAX 4532 NBX 4532	IR 40×45×20	IR 40×45×20	JR 40×45×20
LRT 404530	77	40	45	30	TAF 455530	IR 40×45×30	IR 40×45×30	JR 40×45×30
LRT 404530-1	77	40	45	30.5	TR 455930	—	—	—
LRT 404534	88	40	45	34	RNAFW 455534 NAX 45 NBX 45	—	IR 40×45×34	JR 40×45×34
LRT 404540	105	40	45	40	RNAFW 456240	—	IR 40×45×40	JR 40×45×40
LRT 404822	93	40	48	22	RNA 4908	IR 40×48×22	IR 40×48×22	JR 40×48×22
LRT 404840	165	40	48	40	RNA 6908	IR 40×48×40	IR 40×48×40	JR 40×48×40
LRT 424720	54	42	47	20	TAF 475720	IR 42×47×20	IR 42×47×20	JR 42×47×20
LRT 424730	81	45	47	30	TAF 475730	IR 42×47×30	IR 42×47×30	JR 42×47×30
LRT 424830	100	42	48	30.5	TR 486230	—	—	—
LRT 455020	58	45	50	20	RNAF 506220	—	IR 45×50×20	JR 45×50×20
LRT 455025	71	45	50	25	TAF 506225 NAX 5035 NBX 5035	IR 45×50×25	IR 45×50×25	JR 45×50×25
LRT 455030	90	45	50	30.5	TR 506430	—	—	—
LRT 455035	95	45	50	35	TAF 506235	IR 45×50×35	IR 45×50×35	JR 45×50×35
LRT 455040	115	45	50	40	RNAFW 506240 NAX 50 NBX 50	—	IR 45×50×40	JR 45×50×40
LRT 455222	88	45	52	22	RNA 4909	IR 45×52×22	IR 45×52×22	JR 45×52×22
LRT 455240	165	45	52	40	RNA 6909	IR 45×52×40	IR 45×52×40	JR 45×52×40
LRT 455520	120	45	55	20	RNAF 557220	IR 45×55×20	IR 45×55×20	JR 45×55×20

DIMENSION TABLE

INTERCHANGE TABLE

IKO NUMBER	WEIGHT	DIMENSIONS			USABLE BEARING NUMBER	INA	SKF	FAG
		(mm)						
LRT	(g)	d	F	B		IR	IR	JR
LRT 455540	245	45	55	40	RNAFW 557240	—	IR 45×55×40	JR 45×55×40
LRT 505520	63	50	55	20	RNAF 556820	IR 50×55×20	IR 50×55×20	JR 50×55×20
LRT 505525	77	50	55	25	TAF 556825	IR 50×55×25	IR 50×55×25	JR 50×55×25
LRT 505535	110	50	55	35	TAF 556835	IR 50×55×35	IR 50×55×35	JR 50×55×35
LRT 505540	130	50	55	40	RNAFW 556840	—	IR 50×55×40	JR 50×55×40
LRT 505822	116	50	58	22	RNA 4910	IR 50×58×22	IR 50×58×22	JR 50×58×22
LRT 505840	210	50	58	40	RNA 6910	IR 50×58×40	IR 50×58×40	JR 50×58×40
LRT 505845	235	50	58	45.5	TR 587745	—	—	—
LRT 506020	135	50	60	20	RNAF 607820	IR 50×60×20	IR 50×60×20	JR 50×60×20
LRT 506025	165	50	60	25.5	NAX 6040 NBX 6040	—	—	—
LRT 506040	265	50	60	40	RNAFW 607840 NAX 60	—	IR 50×60×40	JR 50×60×40
LRT 556025	88	55	60	25	TAF 607225	IR 55×60×25	IR 55×60×25	JR 55×60×25
LRT 556035	120	55	60	35	TAF 607235	IR 55×60×35	IR 55×60×35	JR 55×60×35
LRT 556238	190	55	62	38.5	TR 628138	—	—	—
LRT 556325	145	55	63	25	RNA 4911	IR 55×63×25	IR 55×63×25	JR 55×63×25
LRT 556345	255	55	63	45	RNA 6911	IR 55×63×45	IR 55×63×45	JR 55×63×45
LRT 556530	220	55	65	30	RNAF 658530	—	IR 55×65×30	JR 55×65×30
LRT 556560	435	55	65	60	RNAFW 658560	—	IR 55×65×60	JR 55×65×60
LRT 606825	150	60	68	25	TAF 688225	IR 60×68×25	IR 60×68×25	JR 60×68×25
LRT 606825-1	150	60	68	25	RNA 4912	IR 60×68×25	IR 60×68×25	JR 60×68×25
LRT 606835	210	60	68	35	TAF 688235	IR 60×68×35	IR 60×68×35	JR 60×68×35
LRT 606845	275	60	68	45	RNA 6912	IR 60×68×45	IR 60×68×45	JR 60×68×45
LRT 607025	195	60	70	25.5	NAX 7040	—	—	—
LRT 607030	240	60	70	30	RNAF 709030	—	IR 60×70×30	JR 60×70×30
LRT 607040	310	60	70	40	NAX 70	—	—	—
LRT 607045	355	60	70	45.5	TR 708945	—	—	—
LRT 607060	480	60	70	60	RNAFW 709060	—	IR 60×70×60	JR 60×70×60
LRT 657225	145	65	72	25	RNA 4913	IR 65×72×25	IR 65×72×25	JR 65×72×25
LRT 657245	255	65	72	45	RNA 6913	IR 65×72×45	IR 65×72×45	JR 65×72×45
LRT 657335	235	65	73	35	TAF 739035	IR 65×73×35	IR 65×73×35	JR 65×73×35
LRT 657530	260	65	75	30	RNAF 759530	—	IR 65×75×30	JR 65×75×30
LRT 657560	520	65	75	60	RNAFW 759560	—	IR 65×75×60	JR 65×75×60
LRT 708025	225	70	80	25	TAF 809525	IR 70×80×25	IR 70×80×25	JR 70×80×25
LRT 708030	275	70	80	30	RNA 4914	IR 70×80×30	IR 70×80×30	JR 70×80×30
LRT 708030-1	275	70	80	30	RNAF 8010030	IR 70×80×30	IR 70×80×30	JR 70×80×30
LRT 708035	310	70	80	35	TAF 809535	IR 70×80×35	IR 70×80×35	JR 70×80×35
LRT 708054	490	70	80	54	RNA 6914	IR 70×80×54	IR 70×80×54	JR 70×80×54
LRT 708060	560	70	80	60	RNAFW 8010060	—	IR 70×80×60	JR 70×80×60
LRT 758345	350	75	83	45.5	TR 8310845	—	—	—
LRT 758525	240	75	85	25	TAF 8510525	IR 75×85×25	IR 75×85×25	JR 75×85×25



DIMENSION TABLE

IKO NUMBER	WEIGHT	DIMENSIONS			USABLE BEARING NUMBER	INA	SKF	FAG
		(mm)						
LRT	(g)	d	F	B		IR	IR	JR
LRT 758530	290	75	85	30	RNA 4915	IR 75×85×30	IR 75×85×30	JR 75×85×30
LRT 758530-1	290	75	85	30	RNAF 8510530	IR 75×85×30	IR 75×85×30	JR 75×85×30
LRT 758535	335	75	85	35	TAF 8510535	IR 75×85×35	IR 75×85×35	JR 75×85×35
LRT 758554	520	75	85	54	RNA 6915	IR 75×85×54	IR 75×85×54	JR 75×85×54
LRT 809025	255	80	90	25	TAF 9011025	IR 80×90×25	IR 80×90×25	JR 80×90×25
LRT 809030	310	80	90	30	RNA 4916	IR 80×90×30	IR 80×90×30	JR 80×90×30
LRT 809030-1	310	80	90	30	RNAF 9011030	IR 80×90×30	IR 80×90×30	JR 80×90×30
LRT 809035	355	80	90	35	TAF 9011035	IR 80×90×35	IR 80×90×35	JR 80×90×35
LRT 809054	550	80	90	54	RNA 6916	IR 80×90×54	IR 80×90×54	JR 80×90×54
LRT 859350	440	85	93	50.5	TR 9311850	—	—	—
LRT 859526	280	85	95	26	TAF 9511526	IR 85×95×26	IR 85×95×26	JR 85×95×26
LRT 859530	330	85	95	30	RNAF 9511530	—	IR 85×95×30	JR 85×95×30
LRT 859536	390	85	95	36	TAF 9511536	IR 85×95×36	IR 85×95×36	JR 85×95×36
LRT 859545	490	85	95	45.5	TR 9512045	—	—	—
LRT 8510035	575	85	100	35	RNA 4917	IR 85×100×35	IR 85×100×35	JR 85×100×35
LRT 8510063	1040	85	100	63	RNA 6917	IR 85×100×63	IR 85×100×63	JR 85×100×63
LRT 9010026	295	90	100	26	TAF 10012026	IR 90×100×26	IR 90×100×26	JR 90×100×26
LRT 9010030	355	90	100	30	RNAF 10012030	IR 90×100×30	IR 90×100×30	JR 90×100×30
LRT 9010036	415	90	100	36	TAF 10012036	IR 90×100×36	IR 90×100×36	JR 90×100×36
LRT 9010050	580	90	100	50.5	TR 10012550	—	—	—
LRT 9010535	610	90	105	35	RNA 4918	IR 90×105×35	IR 90×105×35	JR 90×105×35
LRT 9010563	1100	90	105	63	RNA 6918	IR 90×105×63	IR 90×105×63	JR 90×105×63
LRT 9510526	315	95	105	26	TAF 10512526	IR 95×105×26	IR 95×105×26	JR 95×105×26
LRT 9510536	430	95	105	36	TAF 10512536	IR 95×105×36	IR 95×105×36	JR 95×105×36
LRT 9511035	650	95	110	35	RNA 4919	IR 95×110×35	IR 95×110×35	JR 95×110×35
LRT 9511063	1160	95	110	63	RNA 6919	IR 95×110×63	IR 95×110×63	JR 95×110×63
LRT 10011030	380	100	110	30	TAF 11013030	IR 100×110×30	IR 100×110×30	JR 100×110×30
LRT 10011040	500	100	110	40	TAF 11013040	IR 100×110×40	IR 100×110×40	JR 100×110×40
LRT 10011050	640	100	110	50.5	TR 11013550	—	—	—
LRT 10011540	770	100	115	40	RNA 4920	IR 100×115×40	IR 100×115×40	JR 100×115×40
LRT 10511550	670	105	115	50.5	TR 11515350	—	—	—
LRT 11012030	410	110	120	30	RNA 4822	IR 110×120×30	IR 110×120×30	JR 110×120×30
LRT 11012540	840	110	125	40	RNA 4922	IR 110×125×40	IR 110×125×40	JR 110×125×40
LRT 12013030	450	120	130	30	RNA 4824	IR 120×130×30	IR 120×130×30	JR 120×130×30
LRT 12013545	1030	120	135	45	RNA 4924	IR 120×135×45	IR 120×135×45	JR 120×135×45
LRT 12514060	1460	125	140	60.5	TR 14017860	—	—	—
LRT 13014535	860	130	145	35	RNA 4826	IR 130×145×35	IR 130×145×35	JR 130×145×35
LRT 13015050	1670	130	150	50	RNA 4926	IR 130×150×50	IR 130×150×50	JR 130×150×50
LRT 13515060	1560	135	150	60.5	TR 15018860	—	—	—
LRT 14015535	930	140	155	35	RNA 4828	IR 140×155×35	IR 140×155×35	JR 140×155×35

INTERCHANGE TABLE

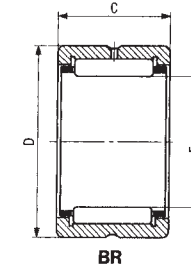
DIMENSION TABLE

IKO NUMBER	WEIGHT	DIMENSIONS			USABLE BEARING NUMBER	INA	SKF	FAG
		(mm)						
LRT	(g)	d	F	B		IR	IR	JR
LRT 14016050	1790	140	160	50	RNA 4928	IR 140×160×50	IR 140×160×50	JR 140×160×50
LRT 15016540	1130	150	165	40	RNA 4830	IR 150×165×40	IR 150×165×40	JR 150×165×40
LRT 15017060	2290	150	170	60	RNA 4930	—	—	—
LRT 16017540	1200	160	175	40	RNA 4832	IR 160×175×40	IR 160×175×40	JR 160×175×40
LRT 16018060	2440	160	180	60	RNA 4932	—	—	—
LRT 17018545	1420	170	185	45	RNA 4834	IR 170×185×45	IR 170×185×45	JR 170×185×45
LRT 17019060	2580	170	190	60	RNA 4934	—	—	—
LRT 18019545	1500	180	195	45	RNA 4836	IR 180×195×45	IR 180×195×45	JR 180×195×45
LRT 18020569	3950	180	205	69	RNA 4936	—	—	—
LRT 19021050	2380	190	210	50	RNA 4838	IR 190×210×50	IR 190×210×50	JR 190×210×50
LRT 19021569	4200	190	215	69	RNA 4938	—	—	—
LRT 20022050	2520	200	220	50	RNA 4840	IR 200×220×50	IR 200×220×50	JR 200×220×50
LRT 20022580	5000	200	225	80	RNA 4940	—	—	—
LRT 22024050	2750	220	240	50	RNA 4844	IR 220×240×50	IR 220×240×50	JR 220×240×50
LRT 22024580	5500	220	245	80	RNA 4944	—	—	—
LRT 24026560	4530	240	265	60	RNA 4848	IR 240×265×60	IR 240×265×60	JR 240×265×60
LRT 24026580	6000	240	265	80	RNA 4948	—	—	—
LRT 26028560	4930	260	285	60	RNA 4852	IR 260×285×60	IR 260×285×60	JR 260×285×60
LRT 260290100	9900	260	290	100	RNA 4952	—	—	—
LRT 28030569	6050	280	305	69	RNA 4856	IR 280×305×69	IR 280×305×69	JR 280×305×69
LRT 280310100	10600	280	310	100	RNA 4956	—	—	—
LRT 30033080	9100	300	330	80	RNA 4860	IR 300×330×80	IR 300×330×80	JR 300×330×80
LRT 300340118	18000	300	340	118	RNA 4960	—	—	—
LRT 32035080	9600	320	350	80	RNA 4864	IR 320×350×80	IR 320×350×80	JR 320×350×80
LRT 320360118	19200	320	360	118	RNA 4964	—	—	—
LRT 34037080	10200	340	370	80	RNA 4868	IR 340×370×80	IR 340×370×80	JR 340×370×80
LRT 340380118	20300	340	380	118	RNA 4968	—	—	—
LRT 36039080	10800	360	390	80	RNA 4872	IR 360×390×80	IR 360×390×80	JR 360×390×80
LRT 360400118	21500	360	400	118	RNA 4972	—	—	—
LRT 380415100	16700	380	415	100	RNA 4876	IR 380×415×100	IR 380×415×100	JR 380×415×100
LRT 380430140	33900	380	430	140	RNA 4976	—	—	—
LRT 400450140	35600	400	450	140	RNA 4980	—	—	—
LRT 420470140	37300	420	470	140	RNA 4984	—	—	—
LRT 440490160	44100	440	490	160	RNA 4988	—	—	—

INTERCHANGE TABLE

**MACHINED TYPE
NEEDLE ROLLER BEARINGS**

Inch Dimension



DIMENSION TABLE

INTERCHANGE TABLE

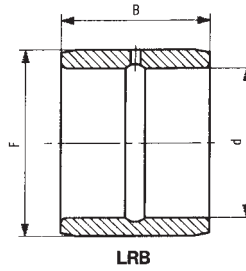
IKO NUMBER BR	WEIGHT (g)	DIMENSIONS						BASIC DYNAMIC LOAD RATING (N)	BASIC STATIC LOAD RATING (N)	USABLE INNER RING LRB	TORRINGTON HJ	MCGILL MR	R.B.C. SJ	INA NCS
		Fw		D		C								
		inch	mm	inch	mm	inch	mm							
BR 101812	49	5/8	15.875	1 1/8	28.575	3/4	19.050	18900	19700	LRB 61012	HJ-101812	MR-10-N	SJ 7133	NCS 1012
BR 122012	56	3/4	19.050	1 1/4	31.750	3/4	19.050	21700	24400	LRB 81212	HJ-122012	MR-12-N	SJ 7153	NCS 1212
BR 122016	75	3/4	19.050	1 1/4	31.750	1	25.400	27600	33100	LRB 81216	HJ-122016	MR-12	SJ 7154	NCS 1216
BR 142212	63	7/8	22.225	1 3/8	34.925	3/4	19.050	23000	27100	LRB 101412	HJ-142212	MR-14-N	SJ 7173	NCS 1412
BR 142216	84.5	7/8	22.225	1 3/8	34.925	1	25.400	29100	36800	LRB 101416	HJ-142216	MR-14	SJ 7174	NCS 1416
BR 162412	69	1	25.400	1 1/2	38.100	3/4	19.050	25300	31900	LRB 121612	HJ-162412	MR-16-N	SJ 7193	NCS 1612
BR 162416	92.5	1	25.400	1 1/2	38.100	1	25.400	32100	43300	LRB 121616	HJ-162416	MR-16	SJ 7194	NCS 1616
BR 182616	102	1 1/8	28.575	1 5/8	41.275	1	25.400	34900	49900	LRB 141816	HJ-182616	MR-18-N	SJ 7214	NCS 1816
BR 182620	128	1 1/8	28.575	1 5/8	41.275	1 1/4	31.750	43200	65600	LRB 141820	HJ-182620	MR-18	SJ 7215	NCS 1820
BR 202816	110	1 1/4	31.750	1 3/4	44.450	1	25.400	36000	53500	LRB 162016	HJ-202816	MR-20-N	SJ 7234	NCS 2016
BR 202820	138	1 1/4	31.750	1 3/4	44.450	1 1/4	31.750	44600	70300	LRB 162020	HJ-202820	MR-20	SJ 7235	NCS 2020
BR 223016	119	1 3/8	34.925	1 7/8	47.625	1	25.400	38500	60000	LRB 182216	HJ-223016	MR-22-N	SJ 7254	NCS 2216
BR 223020	149	1 3/8	34.925	1 7/8	47.625	1 1/4	31.750	47700	78900	LRB 182220	HJ-223020	MR-22	SJ 7255	NCS 2220
BR 243316	149	1 1/2	38.100	2 1/16	52.388	1	25.400	43700	66900	LRB 202416	HJ-243316	MR-24-N	SJ 7274	NCS 2416
BR 243320	187	1 1/2	38.100	2 1/16	52.388	1 1/4	31.750	54200	88200	LRB 202420	HJ-243320	MR-24	SJ 7275	NCS 2420
BR 263516	158	1 5/8	41.275	2 3/16	55.562	1	25.400	44800	70900	LRB 222616	HJ-263516	MR-26-N	SJ 7294	NCS 2616
BR 263520	199	1 5/8	41.275	2 3/16	55.562	1 1/4	31.750	55600	93400	LRB 222620	HJ-263520	MR-26	SJ 7295	NCS 2620
BR 283716	170	1 3/4	44.450	2 5/16	58.738	1	25.400	47500	78200	LRB 242816	HJ-283716	MR-28-N	SJ 7314	NCS 2816
BR 283720	215	1 3/4	44.450	2 5/16	58.738	1 1/4	31.750	58900	103000	LRB 242820	HJ-283720	MR-28	SJ 7315	NCS 2820
BR 283820	250	1 3/4	44.450	2 3/8	60.325	1 1/4	31.750	58900	103000	LRB 242820	—	—	—	—
BR 303920	225	1 7/8	47.625	2 7/16	61.912	1 1/4	31.750	60100	108000	LRB 243020	HJ-303920	MR-30	SJ 7335	NCS 3020
BR 324116	190	2	50.800	2 9/16	65.088	1	25.400	51000	89400	LRB 263216	HJ-324116	MR-32-N	SJ 7354	NCS 3216
BR 324120	240	2	50.800	2 9/16	65.088	1 1/4	31.750	63200	118000	LRB 263220	HJ-324120	MR-32	SJ 7355	NCS 3220
BR 364824	435	2 1/4	57.150	3	76.200	1 1/2	38.100	90300	158000	LRB 283624	HJ-364824	MR-36-N	SJ 8406	NCS 3624
BR 364828	510	2 1/4	57.150	3	76.200	1 3/4	44.450	105000	191000	LRB 283628	HJ-364828	MR-36	SJ 8407	—
BR 405224	475	2 1/2	63.500	3 1/4	82.550	1 1/2	38.100	94600	174000	LRB 324024	HJ-405224	MR-40-N	SJ 8446	NCS 4024
BR 405228	555	2 1/2	63.500	3 1/4	82.550	1 3/4	44.450	110000	210000	LRB 324028	HJ-405228	MR-40	SJ 8447	—
BR 445624	510	2 3/4	69.850	3 1/2	88.900	1 1/2	38.100	98700	189000	LRB 364424	HJ-445624	MR-44-N	SJ 8476	NCS 4424
BR 445628	600	2 3/4	69.850	3 1/2	88.900	1 3/4	44.450	114000	228000	LRB 364428	HJ-445628	MR-44	SJ 8477	—
BR 486024	555	3	76.200	3 3/4	92.250	1 1/2	38.100	105000	211000	LRB 404824	HJ-486024	MR-48-N	SJ 8516	NCS 4824
BR 486028	650	3	76.200	3 3/4	92.250	1 3/4	44.450	122000	255000	LRB 404828	HJ-486028	MR-48	SJ 8517	—
BR 526828	990	3 1/4	82.550	4 1/4	107.950	1 3/4	44.450	141000	259000	LRB 445228	HJ-526828	MR-52	SJ 9567	NCS 5228
BR 526832	1140	3 1/4	82.550	4 1/4	107.950	2	50.800	154000	290000	LRB 445232	HJ-526832	—	SJ 9568	NCS 5232
BR 567232	1220	3 1/2	88.900	4 1/2	114.300	2	50.800	162000	316000	LRB 485632	HJ-567232	MR-56	SJ 9608	NCS 5632
BR 607632	1290	3 3/4	92.250	4 3/4	120.650	2	50.800	169000	342000	LRB 526032	HJ-607632	MR-60	SJ 9648	—
BR 648032	1370	4	101.600	5	127.000	2	50.800	176000	368000	LRB 566432	HJ-648032	MR-64	SJ 9688	—

IKO

LRB

**INNER RACES FOR MACHINED TYPE
NEEDLE ROLLER BEARINGS**

Inch Dimension

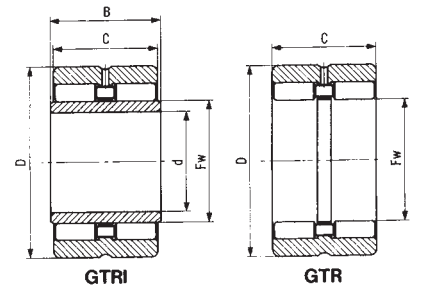


IKO

GTRI·GTR

**MACHINED TYPE
NEEDLE ROLLER BEARINGS**

Metric Dimension



DIMENSION TABLE

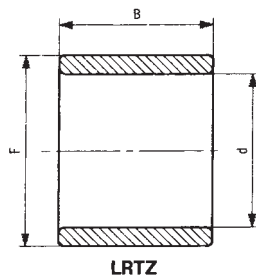
IKO NUMBER LRB	WEIGHT (g)	DIMENSIONS					USABLE BEARING NUMBER BR	INTERCHANGE TABLE			
		d		F		B		TORRINGTON IR	MCGILL MI	R.B.C. IR	INA PI
		inch	mm	inch	mm	mm					
LRB 61012	18.5	3/8	9.525	5/8	15.875	19.300	BR 101812	IR-061012	MI-6-N	—	PI 061012
LRB 81212	23.5	1/2	12.700	3/4	19.050	19.300	BR 122012	IR-081212	MI-8-N	IR-7153	PI 081212
LRB 81216	31	1/2	12.700	3/4	19.050	25.650	BR 122016	IR-081216	MI-8	IR-7154	PI 081216
LRB 101412	28	5/8	15.875	7/8	22.225	19.300	BR 142212	IR-101412	MI-10-N	IR-7173	PI 101412
LRB 101416	37.5	5/8	15.875	7/8	22.225	25.650	BR 142216	IR-101416	MI-10	IR-7174	PI 101416
LRB 121612	33	3/4	19.050	1	25.400	19.300	BR 162412	IR-121612	MI-12-N	IR-7193	PI 121612
LRB 121616	44	3/4	19.050	1	25.400	25.650	BR 162416	IR-121616	MI-12	IR-7194	PI 121616
LRB 141816	50	7/8	22.225	1 1/8	28.575	25.650	BR 182616	IR-141816	MI-14-N	IR-7214	PI 141816
LRB 141820	62	7/8	22.225	1 1/8	28.575	32.000	BR 182620	IR-141820	MI-14	IR-7215	PI 141820
LRB 162016	56	1	25.400	1 1/4	31.750	25.650	BR 202816	IR-162016	MI-16-N	IR-7234	PI 162016
LRB 162020	72	1	25.400	1 1/4	31.750	32.000	BR 202820	IR-162020	MI-16	IR-7235	PI 162020
LRB 182216	63	1 1/8	28.575	1 3/8	34.925	25.650	BR 223016	IR-182216	MI-18-N	IR-7254	PI 182216
LRB 182220	77	1 1/8	28.575	1 3/8	34.925	32.000	BR 223020	IR-182220	MI-18	IR-7255	PI 182220
LRB 202416	71	1 1/4	31.750	1 1/2	38.100	25.650	BR 243316	IR-202416	MI-20-N	—	PI 202416
LRB 202420	86	1 1/4	31.750	1 1/2	38.100	32.000	BR 243320	IR-202420	MI-20	IR-7275-C	PI 202420
LRB 222616	77	1 3/8	34.925	1 5/8	41.275	25.650	BR 263516	—	—	—	—
LRB 222620	96	1 3/8	34.925	1 5/8	41.275	32.000	BR 263520	IR-222620	MI-22-4S	IR-7295-C	PI 222620
LRB 242816	80	1 1/2	38.100	1 3/4	44.450	25.650	BR 283716	IR-242816	MI-24-N	—	PI 242816
LRB 242820	100	1 1/2	38.100	1 3/4	44.450	32.000	BR 283720	IR-242820	MI-24	IR-7315-C	PI 242820
LRB 243020	155	1 1/2	38.100	1 7/8	47.625	32.000	BR 303920	—	—	—	—
LRB 263216	135	1 5/8	41.275	2	50.800	25.650	BR 324116	—	MI-26-N	—	PI 263216
LRB 263220	170	1 5/8	41.275	2	50.800	32.000	BR 324120	IR-263220	MI-26	IR-7355-D	—
LRB 283624	300	1 3/4	44.450	2 1/4	57.150	38.350	BR 364824	IR-283624	MI-28-N	IR-8406	PI 283624
LRB 283628	345	1 3/4	44.450	2 1/4	57.150	44.700	BR 364828	IR-283628	MI-28	IR-8407	—
LRB 324024	335	2	50.800	2 1/2	63.500	38.350	BR 405224	IR-324024	MI-32-N	IR-8446-C	PI 324024
LRB 324028	390	2	50.800	2 1/2	63.500	44.700	BR 405228	IR-324028	MI-32	IR-8447-C	—
LRB 364424	375	2 1/4	57.150	2 3/4	69.850	38.350	BR 445624	IR-364424	MI-36-N	IR-8476-C	PI 364424
LRB 364428	440	2 1/4	57.150	2 3/4	69.850	44.700	BR 445628	IR-364428	MI-36	IR-8477-C	—
LRB 404824	410	2 1/2	63.500	3	76.200	38.350	BR 486024	IR-404824	MI-40-N	IR-8516-C	PI 404824
LRB 404828	480	2 1/2	63.500	3	76.200	44.700	BR 486028	IR-404828	MI-40	IR-8517-C	—
LRB 445228	530	2 3/4	69.850	3 1/4	82.550	44.700	BR 526828	IR-445228	MI-44	IR-9567	PI 445228
LRB 445232	600	2 3/4	69.850	3 1/4	82.550	51.050	BR 526832	IR-445232	—	IR-9568	PI 445232
LRB 485632	640	3	76.200	3 1/2	88.900	51.050	BR 567232	IR-485632	MI-48	IR-9608-C	PI 485632
LRB 526032	690	3 1/4	82.550	3 3/4	92.250	51.050	BR 607632	IR-526032	MI-52	IR-9648-C	—
LRB 566432	750	3 1/2	88.900	4	101.600	51.050	BR 648032	IR-566432	MI-56	IR-9688-C	—

DIMENSION TABLE

IKO NUMBER WITH INNER RING GTRI	WEIGHT (g)	IKO NUMBER WITHOUT INNER RING GTR	WEIGHT (g)	DIMENSIONS (mm)					BASIC DYNAMIC LOAD RATING (N)	BASIC STATIC LOAD RATING (N)
				d	D	C	B	Fw		
GTRI 153320	90.5	GTR 203320	69	15	33	20	20.5	20	29200	37200
GTRI 173425	117	GTR 223425	87	17	34	25	25.5	22	37900	57800
GTRI 203820	110	GTR 253820	81.5	20	38	20	20.5	25	33300	46500
GTRI 203825	138	GTR 253825	104	20	38	25	25.5	25	42400	63700
GTRI 254425	175	GTR 304425	133	25	44	25	25.5	30	47000	76500
GTRI 284530	196	GTR 324530	152	28	45	30	30.5	32	58000	101000
GTRI 304830	225	GTR 354830	163	30	48	30	30.5	35	61100	110000
GTRI 325230	270	GTR 385230	195	32	52	30	30.5	38	64200	121000
GTRI 355520	191	GTR 405520	144	35	55	20	20.5	40	44300	73600
GTRI 355630	310	GTR 425630	210	35	56	30	30.5	42	67500	133000
GTRI 405930	300	GTR 455930	225	40	59	30	30.5	45	70300	142000
GTRI 426230	340	GTR 486230	240	42	62	30	30.5	48	72700	154000
GTRI 456430	335	GTR 506430	245	45	64	30	30.5	50	74600	158000
GTRI 507745	825	GTR 587745	590	50	77	45	45.5	58	135000	280000
GTRI 558138	710	GTR 628138	520	55	81	38	38.5	62	118000	241000
GTRI 608945	1050	GTR 708945	690	60	89	45	45.5	70	147000	336000
GTRI 7510845	1440	GTR 8310845	1090	75	108	45	45.5	83	190000	396000
GTRI 8511850	1780	GTR 9311850	1340	82	118	50	50.5	93	224000	509000
GTRI 8512045	1720	GTR 9512045	1230	85	120	45	45.5	95	204000	455000
GTRI 9012550	2020	GTR 10012550	1440	90	125	50	50.5	100	234000	549000
GTRI 10013550	2200	GTR 11013550	1560	100	135	50	50.5	110	245000	603000
GTRI 10515350	3270	GTR 11515350	2600	105	153	50	50.5	115	315000	614000
GTRI 12517860	5180	GTR 14017860	3730	125	178	60	60.5	140	409000	923000
GTRI 13518860	5530	GTR 15018860	3970	135	188	60	60.5	150	423000	989000

**INNER RACES FOR MACHINED TYPE
NEEDLE ROLLER BEARINGS**

Metric Dimension



DIMENSION TABLE

IKO NUMBER LRTZ	WEIGHT (g)	DIMENSIONS (mm)			USABLE BEARING NUMBER	INTERCHANGE TABLE		
		d	F	B		INA IR	SKF IRZ	FAG JRZ
LRTZ 101414	8.2	10	14	14	RNA 4900 UU	IR 10×14×14	IRZ 10×14×14	JRZ 10×14×14
LRTZ 121614	9.6	12	16	14	RNA 4901 UU	IR 12×16×14	IRZ 12×16×14	JRZ 12×16×14
LRTZ 121623	15.5	12	16	23	RNA 6901 UU	—	—	—
LRTZ 152014	14.5	15	20	14	RNA 4902 UU	IR 15×20×14	IRZ 15×20×14	JRZ 15×20×14
LRTZ 152020	21.5	15	20	20.5	GTR 203320	—	—	—
LRTZ 152024	25	15	20	24	RNA 6902 UU	—	—	—
LRTZ 172214	16.5	17	22	14	RNA 4903 UU	IR 17×22×14	IRZ 17×22×14	—
LRTZ 172224	28	17	22	24	RNA 6903 UU	—	—	—
LRTZ 172225	30	17	22	25.5	GTR 223425	—	—	—
LRTZ 202518	24	20	25	18	RNA 4904 UU	IR 20×25×18	IRZ 20×25×18	JRZ 20×25×18
LRTZ 202520	28	20	25	20.5	GTR 253820	—	—	—
LRTZ 202525	35	20	25	25.5	GTR 253825	—	—	—
LRTZ 202531	41.5	20	25	31	RNA 6904 UU	—	—	—
LRTZ 222818	32	22	28	18	RNA 49/22 UU	—	—	—
LRTZ 222831	55	22	28	31	RNA 69/22 UU	—	—	—
LRTZ 253018	29.5	25	30	18	RNA 4905 UU	IR 25×30×18	IRZ 25×30×18	JRZ 25×30×18
LRTZ 253025	42	25	30	25.5	GTR 304425	—	—	—
LRTZ 253031	51	25	30	31	RNA 6905 UU	—	—	—
LRTZ 283218	25.5	28	32	18	RNA 49/28 UU	—	—	—
LRTZ 283230	43	28	32	30.5	GTR 324530	—	—	—
LRTZ 283231	44	28	32	31	RNA 69/28 UU	—	—	—
LRTZ 303518	35	30	35	18	RNA 4906 UU	IR 30×35×18	IRZ 30×35×18	JRZ 30×35×18
LRTZ 303530	59	30	35	30.5	GTR 354830	—	—	—
LRTZ 303531	61	30	35	31	RNA 6906 UU	—	—	—
LRTZ 323830	77	32	38	30.5	GTR 385230	—	—	—
LRTZ 324021	72.5	32	40	21	RNA 49/32 UU	—	—	—
LRTZ 324037	130	32	40	37	RNA 69/32 UU	—	—	—
LRTZ 354020	46	35	40	20.5	GTR 405520	—	—	—
LRTZ 354221	67	35	42	21	RNA 4907 UU	IR 35×42×21	IRZ 35×42×21	—
LRTZ 354230	100	35	42	30.5	GTR 425630	—	—	—
LRTZ 354237	120	35	42	37	RNA 6907 UU	—	—	—
LRTZ 404530	77	40	45	30.5	GTR 455930	—	—	—
LRTZ 404823	95	40	48	23	RNA 4908 UU	IR 40×48×23	IRZ 40×48×23	JRZ 40×48×23
LRTZ 404841	170	40	48	41	RNA 6908 UU	—	—	—
LRTZ 424830	100	42	48	30.5	GTR 486230	—	—	—
LRTZ 455030	90	45	50	30.5	GTR 506430	—	—	—
LRTZ 455223	93	45	52	23	RNA 4909 UU	IR 45×52×23	IRZ 45×52×23	JRZ 45×52×23
LRTZ 455241	170	45	52	41	RNA 6909 UU	—	—	—
LRTZ 505823	118	50	58	23	RNA 4910 UU	IR 50×58×23	IRZ 50×58×23	JRZ 50×58×23
LRTZ 505841	215	50	58	41	RNA 6910 UU	—	—	—

DIMENSION TABLE

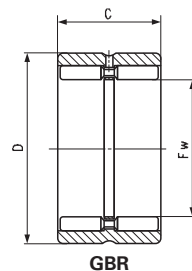
IKO NUMBER LRTZ	WEIGHT (g)	DIMENSIONS (mm)			USABLE BEARING NUMBER	INTERCHANGE TABLE		
		d	F	B		INA IR	SKF IRZ	FAG JRZ
LRTZ 505845	235	50	58	44.5	GTR 587745	—	—	—
LRTZ 556238	190	55	62	38.5	GTR 628138	—	—	—
LRTZ 556326	150	55	63	26	RNA 4911 UU	—	—	—
LRTZ 556346	260	55	63	46	RNA 6911 UU	—	—	—
LRTZ 606826	160	60	68	26	RNA 4912 UU	—	—	—
LRTZ 606846	280	60	68	46	RNA 6912 UU	—	—	—
LRTZ 607045	360	60	70	45.5	GTR 708945	—	—	—
LRTZ 657226	150	65	72	26	RNA 4913 UU	—	—	—
LRTZ 657246	265	65	72	46	RNA 6913 UU	—	—	—
LRTZ 708031	275	70	80	31	RNA 4914 UU	—	—	—
LRTZ 708055	500	70	80	55	RNA 6914 UU	—	—	—
LRTZ 758345	350	75	83	45.5	GTR 8310845	—	—	—
LRTZ 758531	300	75	85	31	RNA 4915 UU	—	—	—
LRTZ 758555	530	75	85	55	RNA 6915 UU	—	—	—
LRTZ 809031	315	80	90	31	RNA 4916 UU	—	—	—
LRTZ 809055	560	80	90	55	RNA 6916 UU	—	—	—
LRTZ 859350	440	85	93	50.5	GTR 9311850	—	—	—
LRTZ 859545	490	85	95	45.5	GTR 9512045	—	—	—
LRTZ 8510036	605	85	100	36	RNA 4917 UU	—	—	—
LRTZ 8510064	1060	85	100	64	RNA 6917 UU	—	—	—
LRTZ 9010050	580	90	100	50.5	GTR 10012550	—	—	—
LRTZ 9010536	630	90	105	36	RNA 4918 UU	—	—	—
LRTZ 9010564	1120	90	105	64	RNA 6918 UU	—	—	—
LRTZ 9511036	660	95	110	36	RNA 4919 UU	—	—	—
LRTZ 9511064	1180	95	110	64	RNA 6919 UU	—	—	—
LRTZ 10011050	640	100	110	50.5	GTR 11013550	—	—	—
LRTZ 10011541	780	100	115	41	RNA 4920 UU	—	—	—
LRTZ 10511550	670	105	115	50.5	GTR 11515350	—	—	—
LRTZ 11012541	870	110	125	41	RNA 4922 UU	—	—	—
LRTZ 12013546	1050	120	135	46	RNA 4924 UU	—	—	—
LRTZ 12514060	1460	125	140	60.5	GTR 14017860	—	—	—
LRTZ 13015051	1720	130	150	51	RNA 4926 UU	—	—	—
LRTZ 13515060	1560	135	150	60.5	GTR 15018860	—	—	—
LRTZ 14016051	1830	140	160	51	RNA 4928 UU	—	—	—

IKO

GBR

**MACHINED TYPE
NEEDLE ROLLER BEARINGS**

Inch Dimension



GBR

DIMENSION TABLE

IKO NUMBER GBR	WEIGHT (g)	DIMENSIONS				BASIC DYNAMIC LOAD RATING (N)	BASIC STATIC LOAD RATING (N)	USABLE INNER RING LRBZ	MCGILL GR		
		Fw		D						C	
		inch	mm	inch	mm	inch	mm				
GBR 101812	55.5	5/8	15.875	1 1/8	28.575	3/4	19.050	23500	28500	LRBZ 61012	GR-10-N
GBR 122012	63	3/4	19.050	1 1/4	31.750	3/4	19.050	26400	34500	LRBZ 81212	GR-12-N
GBR 142212	71	7/8	22.225	1 3/8	34.925	3/4	19.050	28600	40100	LRBZ 101412	GR-14-N
GBR 142216	95.5	7/8	22.225	1 3/8	34.925	1	25.400	38300	58300	LRBZ 101416	GR-14
GBR 162412	79	1	25.400	1 1/2	38.100	3/4	19.050	31000	46100	LRBZ 121612	GR-16-N
GBR 162416	106	1	25.400	1 1/2	38.100	1	25.400	41400	67100	LRBZ 121616	GR-16
GBR 182616	117	1 1/8	28.575	1 5/8	41.275	1	25.400	43900	75300	LRBZ 141816	GR-18-N
GBR 202816	128	1 1/4	31.750	1 3/4	44.450	1	25.400	46600	83900	LRBZ 162016	GR-20-N
GBR 223016	137	1 3/8	34.925	1 7/8	47.625	1	25.400	49500	91800	LRBZ 182216	GR-22-N
GBR 243316	168	1 1/2	38.100	2 1/16	52.388	1	25.400	54200	97700	LRBZ 202416	GR-24-N
GBR 243320	205	1 1/2	38.100	2 1/16	52.388	1 1/4	31.750	64100	121000	LRBZ 202420	GR-24
GBR 263516	180	1 5/8	41.275	2 3/16	55.562	1	25.400	56600	105000	LRBZ 222616	GR-26-N
GBR 263520	220	1 5/8	41.275	2 3/16	55.562	1 1/4	31.750	67000	130000	LRBZ 222620	GR-26
GBR 283720	235	1 3/4	44.450	2 5/16	58.738	1 1/4	31.750	69700	141000	LRBZ 242820	GR-28
GBR 283820	275	1 3/4	44.450	2 3/8	60.325	1 1/4	31.750	69700	141000	LRBZ 242820	—
GBR 303920	250	1 7/8	47.625	2 7/16	61.912	1 1/4	31.750	72400	150000	LRBZ 243020	GR-30
GBR 324116	215	2	50.800	2 9/16	65.088	1	25.400	63100	130000	LRBZ 263216	GR-32-N
GBR 324120	265	2	50.800	2 9/16	65.088	1 1/4	31.750	74600	162000	LRBZ 263220	GR-32
GBR 364824	490	2 1/4	57.150	3	76.200	1 1/2	38.100	113000	224000	LRBZ 283624	GR-36-N
GBR 364828	580	2 1/4	57.150	3	76.200	1 3/4	44.450	133000	276000	LRBZ 283628	GR-36
GBR 405224	535	2 1/2	63.500	3 1/4	82.550	1 1/2	38.100	120000	248000	LRBZ 324024	GR-40-N
GBR 405228	635	2 1/2	63.500	3 1/4	82.550	1 3/4	44.450	141000	306000	LRBZ 324028	GR-40
GBR 445624	585	2 3/4	69.850	3 1/2	88.900	1 1/2	38.100	125000	273000	LRBZ 364424	GR-44-N
GBR 445628	690	2 3/4	69.850	3 1/2	88.900	1 3/4	44.450	147000	336000	LRBZ 364428	GR-44
GBR 486024	630	3	76.200	3 3/4	92.250	1 1/2	38.100	131000	298000	LRBZ 404824	GR-48-N
GBR 486028	745	3	76.200	3 3/4	92.250	1 3/4	44.450	154000	368000	LRBZ 404828	GR-48
GBR 526828	1100	3 1/4	82.550	4 1/4	107.950	1 3/4	44.450	193000	396000	LRBZ 445228	GR-52
GBR 526832	1240	3 1/4	82.550	4 1/4	107.950	2	50.800	214000	452000	LRBZ 445232	—
GBR 567232	1330	3 1/2	88.900	4 1/2	114.300	2	50.800	221000	488000	LRBZ 485632	GR-56
GBR 607632	1420	3 3/4	92.250	4 3/4	120.650	2	50.800	228000	522000	LRBZ 526032	GR-60
GBR 648032	1500	4	101.600	5	127.000	2	50.800	237000	556000	LRBZ 566432	GR-64
GBR 688432	1580	4 1/4	107.950	5 1/4	133.350	2	50.800	242000	590000	LRBZ 606832	GR-68

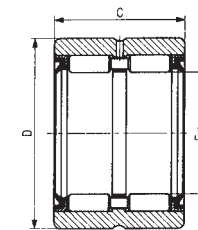
INTERCHANGE TABLE

IKO

GBR..UU

**MACHINED TYPE
NEEDLE ROLLER BEARINGS**

Inch Dimension



GBR..UU

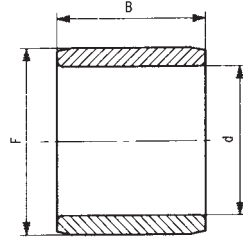
DIMENSION TABLE

IKO NUMBER GBR..UU	WEIGHT (g)	DIMENSIONS				BASIC DYNAMIC LOAD RATING (N)	BASIC STATIC LOAD RATING (N)	USABLE INNER RING LRBZ	MCGILL GR..SS		
		Fw		D						C	
		inch	mm	inch	mm	inch	mm				
GBR 101816 UU	69.5	5/8	15.875	1 1/8	28.575	1	25.400	23500	28500	LRBZ 61016	GR-10-SS
GBR 122016 UU	79	3/4	19.050	1 1/4	31.750	1	25.400	26400	34500	LRBZ 81216	GR-12-SS
GBR 142216 UU	89.5	7/8	22.225	1 3/8	34.925	1	25.400	28600	40100	LRBZ 101416	GR-14-SS
GBR 162416 UU	99	1	25.400	1 1/2	38.100	1	25.400	31000	46100	LRBZ 121616	GR-16-SS
GBR 182620 UU	139	1 1/8	28.575	1 5/8	41.275	1 1/4	31.750	43900	75300	LRBZ 141820	GR-18-SS
GBR 202820 UU	152	1 1/4	31.750	1 3/4	44.450	1 1/4	31.750	46600	83900	LRBZ 162020	GR-20-SS
GBR 223020 UU	163	1 3/8	34.925	1 7/8	47.625	1 1/4	31.750	49500	91800	LRBZ 182220	GR-22-SS
GBR 243320 UU	200	1 1/2	38.100	2 1/16	52.388	1 1/4	31.750	54200	97700	LRBZ 202420	GR-24-SS
GBR 263520 UU	215	1 5/8	41.275	2 3/16	55.562	1 1/4	31.750	56600	105000	LRBZ 222620	GR-26-SS
GBR 283720 UU	230	1 3/4	44.450	2 5/16	58.738	1 1/4	31.750	58900	114000	LRBZ 242820	GR-28-SS
GBR 303920 UU	240	1 7/8	47.625	2 7/16	61.912	1 1/4	31.750	61100	121000	LRBZ 243020	GR-30-SS
GBR 324120 UU	255	2	50.800	2 9/16	65.088	1 1/4	31.750	63100	130000	LRBZ 263220	GR-32-SS
GBR 364828 UU	515	2 1/4	57.150	3	76.200	1 3/4	44.450	87500	161000	LRBZ 283628	GR-36-SS
GBR 405228 UU	560	2 1/2	63.500	3 1/4	82.550	1 3/4	44.450	93300	179000	LRBZ 324028	GR-40-SS
GBR 445628 UU	610	2 3/4	69.850	3 1/2	88.900	1 3/4	44.450	97200	197000	LRBZ 364428	GR-44-SS
GBR 486028 UU	660	3	76.200	3 3/4	92.250	1 3/4	44.450	101000	215000	LRBZ 404828	GR-48-SS
GBR 526828 UU	960	3 1/4	82.550	4 1/4	107.950	1 3/4	44.450	127000	231000	LRBZ 445228	GR-52-SS
GBR 567232 UU	1240	3 1/2	88.900	4 1/2	114.300	2	50.800	170000	347000	LRBZ 485632	GR-56-SS
GBR 607632 UU	1320	3 3/4	92.250	4 3/4	120.650	2	50.800	175000	371000	LRBZ 526032	GR-60-SS
GBR 648032 UU	1380	4	101.600	5	127.000	2	50.800	182000	395000	LRBZ 566432	GR-64-SS
GBR 688432 UU	1460	4 1/4	107.950	5 1/4	133.350	2	50.800	186000	419000	LRBZ 606832	GR-68-SS

INTERCHANGE TABLE

**INNER RACES FOR MACHINED TYPE
NEEDLE ROLLER BEARINGS**

Inch Dimension



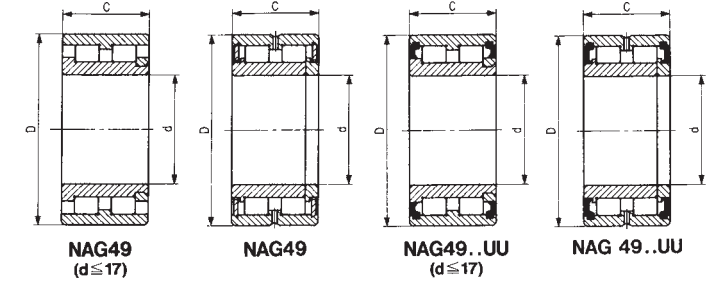
LRBZ

DIMENSION TABLE

IKO NUMBER LRBZ	WEIGHT (g)	DIMENSIONS				USABLE BEARING NUMBER	INTERCHANGE TABLE	
		d inch	F mm	B mm	IR		MCGILL MI	
LRBZ 61012	18.5	3/8	9.525	5/8	19.300	GBR 101812	IR-061012	MI-6-N
LRBZ 61016	25	3/8	9.525	5/8	25.650	GBR 101816 UU	—	MI-6
LRBZ 81212	23.5	1/2	12.700	3/4	19.050	GBR 122012	IR-081212	MI-8-N
LRBZ 81216	31	1/2	12.700	3/4	25.650	GBR 122016 UU	IR-081216	MI-8
LRBZ 101412	28	5/8	15.875	7/8	22.225	GBR 142212	IR-101412	MI-10-N
LRBZ 101416	37.5	5/8	15.875	7/8	25.650	GBR 142216 GBR 142216 UU	IR-101416	MI-10
LRBZ 121612	33	3/4	19.050	1	19.300	GBR 162412	IR-121612	MI-12-N
LRBZ 121616	44	3/4	19.050	1	25.650	GBR 162416 GBR 162416 UU	IR-121616	MI-12
LRBZ 141816	50	7/8	22.225	1 1/8	25.650	GBR 182616	IR-141816	MI-14-N
LRBZ 141820	62	7/8	22.225	1 1/8	32.000	GBR 182620 UU	IR-141820	MI-14
LRBZ 162016	56	1	25.400	1 1/4	25.650	GBR 202816	IR-162016	MI-16-N
LRBZ 162020	72	1	25.400	1 1/4	32.000	GBR 202820 UU	IR-162020	MI-16
LRBZ 182216	63	1 1/8	28.575	1 3/8	25.650	GBR 223016	IR-182216	MI-18-N
LRBZ 182220	77	1 1/8	28.575	1 3/8	32.000	GBR 223020 UU	IR-182220	MI-18
LRBZ 202416	71	1 1/4	31.750	1 1/2	25.650	GBR 243316	IR-202416	MI-20-N
LRBZ 202420	86	1 1/4	31.750	1 1/2	32.000	GBR 243320 GBR 243320 UU	IR-202420	MI-20
LRBZ 222616	77	1 3/8	34.925	1 5/8	25.650	GBR 263516	—	—
LRBZ 222620	96	1 3/8	34.925	1 5/8	32.000	GBR 263520 GBR 263520 UU	IR-222620	MI-22-4S
LRBZ 242820	100	1 1/2	38.100	1 3/4	32.000	GBR 283720 GBR 283820 GBR 283720 UU	IR-242820	MI-24
LRBZ 243020	160	1 1/2	38.100	1 3/8	47.625	GBR 303920 GBR 303920 UU	—	—
LRBZ 263216	135	1 5/8	41.275	2	25.650	GBR 324116	—	MI-26-N
LRBZ 263220	170	1 5/8	41.275	2	32.000	GBR 324120 GBR 324120 UU	IR-263220	MI-26
LRBZ 283624	300	1 3/4	44.450	2 1/4	38.350	GBR 364824	IR-283624	MI-28-N
LRBZ 283628	345	1 3/4	44.450	2 1/4	44.700	GBR 364828 GBR 364828 UU	IR-283628	MI-28
LRBZ 324024	335	2	50.800	2 1/2	38.350	GBR 405224	IR-324024	MI-32-N
LRBZ 324028	390	2	50.800	2 1/2	44.700	GBR 405228 GBR 405228 UU	IR-324028	MI-32
LRBZ 364424	375	2 1/4	57.150	2 3/4	38.350	GBR 445624	IR-364424	MI-36-N
LRBZ 364428	440	2 1/4	57.150	2 3/4	44.700	GBR 445628 GBR 445628 UU	IR-364428	MI-36
LRBZ 404824	410	2 1/2	63.500	3	38.350	GBR 486024	IR-404824	MI-40-N
LRBZ 404828	480	2 1/2	63.500	3	44.700	GBR 486028 GBR 486028 UU	IR-404828	MI-40
LRBZ 445228	530	2 3/4	69.850	3 1/4	44.700	GBR 526828 GBR 526828 UU	IR-445228	MI-44
LRBZ 445232	600	2 3/4	69.850	3 1/4	51.050	GBR 526832	IR-445232	—
LRBZ 485632	640	3	76.200	3 1/2	51.050	GBR 567232 GBR 567232 UU	IR-485632	MI-48
LRBZ 526032	690	3 1/4	82.550	3 3/4	51.050	GBR 607632 GBR 607632 UU	IR-526032	MI-52
LRBZ 566432	750	3 1/2	88.900	4	51.050	GBR 648032 GBR 648032 UU	IR-566432	MI-56
LRBZ 606832	800	3 3/4	92.250	4 1/4	51.050	GBR 688432 GBR 688432 UU	IR-606832	MI-60

**ROLLER
BEARINGS**

Metric Dimension

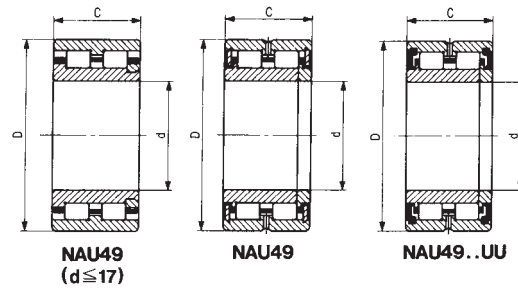


DIMENSION TABLE

IKO NUMBER OPEN TYPE NAG 49	WEIGHT (g)	IKO NUMBER SEALED TYPE NAG 49..UU	WEIGHT (g)	DIMENSIONS (mm)			BASIC DYNAMIC LOAD RATING (N)	BASIC STATIC LOAD RATING (N)
				d	D	C		
NAG 4900	25.5	NAG 4900 UU	25.5	10	22	13	9650	10800
NAG 4901	28.5	NAG 4901 UU	28.5	12	24	13	10300	12000
NAG 4902	38	NAG 4902 UU	38	15	28	13	11800	15200
NAG 4903	41	NAG 4903 UU	41	17	30	13	12300	16500
NAG 4904	76.5	NAG 4904 UU	76.5	20	37	17	15600	18900
NAG 4905	89.5	NAG 4905 UU	89.5	25	42	17	17500	23200
NAG 4906	103	NAG 4906 UU	103	30	47	17	19400	27600
NAG 4907	172	NAG 4907 UU	172	35	55	20	28700	43800
NAG 4908	225	NAG 4908 UU	225	40	62	22	34600	49500
NAG 4909	265	NAG 4909 UU	265	45	68	22	36400	54700
NAG 4910	270	NAG 4910 UU	270	50	72	22	38200	59900
NAG 4911	395	NAG 4911 UU	395	55	80	25	48100	77700
NAG 4912	425	NAG 4912 UU	425	60	85	25	50300	84300
NAG 4913	455	NAG 4913 UU	455	65	90	25	53200	93000
NAG 4914	725	NAG 4914 UU	725	70	100	30	77700	139000
NAG 4915	775	NAG 4915 UU	775	75	105	30	80000	146000
NAG 4916	815	NAG 4916 UU	815	80	110	30	83000	157000
NAG 4917	1190	NAG 4917 UU	1190	85	120	35	111000	200000
NAG 4918	1250	NAG 4918 UU	1250	90	125	35	114000	211000
NAG 4919	1300	NAG 4919 UU	1300	95	130	35	117000	222000
NAG 4920	1850	NAG 4920 UU	1850	100	140	40	152000	292000
NAG 4922	2010	NAG 4922 UU	2010	110	150	40	161000	322000
NAG 4924	2780	NAG 4924 UU	2780	120	165	45	208000	431000
NAG 4926	3750	NAG 4926 UU	3750	130	180	50	240000	495000
NAG 4928	3990	NAG 4928 UU	3990	140	190	50	249000	531000

ROLLER BEARINGS

Metric Dimension

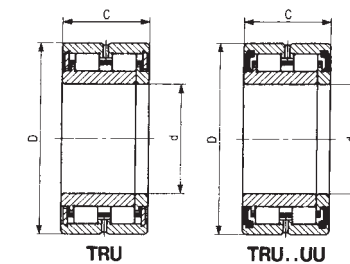


DIMENSION TABLE

IKO NUMBER	WEIGHT (g)	IKO NUMBER SEALED TYPE	WEIGHT (g)	DIMENSIONS (mm)			BASIC DYNAMIC LOAD RATING (N)	BASIC STATIC LOAD RATING (N)
				d	D	C		
NAU 4900	24.5	—	—	10	22	13	6580	6470
NAU 4901	27.5	—	—	12	24	13	6950	7120
NAU 4902	36.5	—	—	15	28	13	7950	9020
NAU 4903	39.5	—	—	17	30	13	8240	9670
NAU 4904	76	NAU 4904 UU	76	20	37	17	10700	11300
NAU 4905	89	NAU 4905 UU	89	25	42	17	11900	13900
NAU 4906	102	NAU 4906 UU	102	30	47	17	13000	16200
NAU 4907	168	NAU 4907 UU	168	35	55	20	19500	26300
NAU 4908	220	NAU 4908 UU	220	40	62	22	23400	29400
NAU 4909	260	NAU 4909 UU	260	45	68	22	24800	32800
NAU 4910	265	NAU 4910 UU	265	50	72	22	26200	36200
NAU 4911	385	NAU 4911 UU	385	55	80	25	33000	47000
NAU 4912	415	NAU 4912 UU	415	60	85	25	34700	51400
NAU 4913	440	NAU 4913 UU	440	65	90	25	36900	57100
NAU 4914	705	NAU 4914 UU	705	70	100	30	53700	84600
NAU 4915	750	NAU 4915 UU	750	75	105	30	54800	88200
NAU 4916	790	NAU 4916 UU	790	80	110	30	57200	95500
NAU 4917	1150	NAU 4917 UU	1150	85	120	35	75400	120000
NAU 4918	1210	NAU 4918 UU	1210	90	125	35	79500	130000
NAU 4919	1270	NAU 4919 UU	1270	95	130	35	81000	136000
NAU 4920	1770	NAU 4920 UU	1770	100	140	40	106000	181000
NAU 4922	1930	NAU 4922 UU	1930	110	150	40	113000	200000
NAU 4924	2680	NAU 4924 UU	2680	120	165	45	146000	268000
NAU 4926	3610	NAU 4926 UU	3610	130	180	50	166000	304000
NAU 4928	3840	NAU 4928 UU	3840	140	190	50	174000	327000

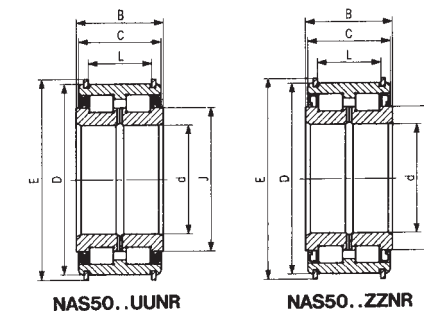
ROLLER BEARINGS

Metric Dimension



DIMENSION TABLE

IKO NUMBER	WEIGHT (g)	IKO NUMBER SEALED TYPE	WEIGHT (g)	DIMENSIONS (mm)			BASIC DYNAMIC LOAD RATING (N)	BASIC STATIC LOAD RATING (N)
				d	D	C		
TRU 153320	80.5	TRU 153320 UU	80.5	15	33	20	10400	10400
TRU 173425	100	TRU 173425 UU	100	17	34	25	18000	21600
TRU 203820	96.5	TRU 203820 UU	96.5	20	38	20	12100	13400
TRU 203825	122	TRU 203825 UU	122	20	38	25	18700	23600
TRU 254425	154	TRU 254425 UU	154	25	44	25	21000	28900
TRU 284530	173	TRU 284530 UU	173	28	45	30	28700	43800
TRU 304830	197	TRU 304830 UU	197	30	48	30	29400	46600
TRU 325230	260	TRU 325230 UU	260	32	52	30	29800	44200
TRU 355630	270	TRU 355630 UU	270	35	56	30	32200	49800
TRU 405930	265	TRU 405930 UU	265	40	59	30	34700	62500
TRU 426230	290	TRU 426230 UU	290	42	62	30	34600	57800
TRU 456430	295	TRU 456430 UU	295	45	64	30	32600	59700
TRU 507745	710	TRU 507745 UU	710	50	77	45	75700	134000
TRU 558138	615	TRU 558138 UU	615	55	81	38	61400	104000
TRU 608945	880	TRU 608945 UU	880	60	89	45	88100	152000
TRU 7510845	1240	TRU 7510845 UU	1240	75	108	45	103000	190000
TRU 8511850	1530	TRU 8511850 UU	1530	85	118	50	114000	222000
TRU 8512045	1500	TRU 8512045 UU	1500	85	120	45	110000	215000
TRU 9012550	1740	TRU 9012550 UU	1740	90	125	50	119000	240000
TRU 10013550	1900	TRU 10013550 UU	1900	100	135	50	124000	264000
TRU 10515350	2890	TRU 10515350 UU	2890	105	153	50	159000	286000
TRU 12517860	4490	TRU 12517860 UU	4490	125	178	60	211000	408000
TRU 13518860	4790	TRU 13518860 UU	4790	135	188	60	220000	442000



DIMENSION TABLE

IKO NUMBER SEALED TYPE NAS 50..UUNR	IKO NUMBER SHIELD TYPE NAS 50..ZZNR	WEIGHT (kg)	DIMENSIONS (mm)							BASIC DYNAMIC LOAD RATING (N)	BASIC STATIC LOAD RATING (N)	INA 1), 2)		FAG 2)	SKF 2)
			d	D	E	C	B	L 1)	J			OPEN TYPE SL 04..X	SEALED TYPE SL 04..PPX	SEALED TYPE NNF..DA.2LS.V	SEALED TYPE NNF..ADA-2LSV
NAS 50 08 UUNR	NAS 50 08 ZZNR	0.55	40	68	71.8	37	38	28	50	79500	116000	SL 04 5008 X	SL 04 5008 PPX	NNF 5008 ADA.2LS.V	NNF 5008 ADA-2LSV
NAS 50 09 UUNR	NAS 50 09 ZZNR	0.70	45	75	78.8	39	40	30	56	95500	144000	SL 04 5009 X	SL 04 5009 PPX	NNF 5009 ADA.2LS.V	NNF 5009 ADA-2LSV
NAS 50 10 UUNR	NAS 50 10 ZZNR	0.75	50	80	83.8	39	40	30	61	100000	158000	SL 04 5010 X	SL 04 5010 PPX	NNF 5010 EDA.2LS.V	NNF 5010 ADA-2LSV
NAS 50 11 UUNR	NAS 50 11 ZZNR	1.15	55	90	94.8	45	46	34	68	118000	193000	SL 04 5011 X	SL 04 5011 PPX	NNF 5011 ADA.2LS.V	NNF 5011 ADA-2LSV
NAS 50 12 UUNR	NAS 50 12 ZZNR	1.20	60	95	99.8	45	46	34	73	123000	208000	SL 04 5012 X	SL 04 5012 PPX	NNF 5012 EDA.2LS.V	NNF 5012 ADA-2LSV
NAS 50 13 UUNR	NAS 50 13 ZZNR	1.30	65	100	104.8	45	46	34	78	128000	224000	SL 04 5013 X	SL 04 5013 PPX	NNF 5013 ADA.2LS.V	NNF 5013 ADA-2LSV
NAS 50 14 UUNR	NAS 50 14 ZZNR	1.90	70	110	114.5	53	54	42	84	171000	284000	SL 04 5014 X	SL 04 5014 PPX	NNF 5014 ADA.2LS.V	NNF 5014 ADA-2LSV
NAS 50 15 UUNR	NAS 50 15 ZZNR	2.00	75	115	119.5	53	54	42	91	179000	308000	SL 04 5015 X	SL 04 5015 PPX	NNF 5015 EDA.2LS.V	NNF 5015 ADA-2LSV
NAS 50 16 UUNR	NAS 50 16 ZZNR	2.65	80	125	129.5	59	60	48	97	251000	428000	SL 04 5016 X	SL 04 5016 PPX	NNF 5016 ADA.2LS.V	NNF 5016 ADA-2LSV
NAS 50 17 UUNR	NAS 50 17 ZZNR	2.80	85	130	134.5	59	60	48	101	257000	446000	SL 04 5017 X	SL 04 5017 PPX	—	NNF 5017 ADA-2LSV
NAS 50 18 UUNR	NAS 50 18 ZZNR	3.70	90	140	145.4	66	67	54	110	305000	540000	SL 04 5018 X	SL 04 5018 PPX	NNF 5018 ADA.2LS.V	NNF 5018 ADA-2LSV
NAS 50 19 UUNR	NAS 50 19 ZZNR	3.90	95	145	150.4	66	67	54	114	312000	562000	SL 04 5019 X	SL 04 5019 PPX	—	NNF 5019 ADA-2LSV
NAS 50 20 UUNR	NAS 50 20 ZZNR	4.05	100	150	155.4	66	67	54	118	318000	584000	SL 04 5020 X	SL 04 5020 PPX	NNF 5020 EDA.2LS.V	NNF 5020 ADA-2LSV
NAS 50 22 UUNR	NAS 50 22 ZZNR	6.50	110	170	175.4	79	80	65	130	384000	697000	SL 04 5022 X	SL 04 5022 PPX	NNF 5022 EDA.2LS.V	NNF 5022 ADA-2LSV
NAS 50 24 UUNR	NAS 50 24 ZZNR	6.95	120	180	188.4	79	80	65	139.5	400000	750000	SL 04 5024 X	SL 04 5024 PPX	NNF 5024 ADA.2LS.V	NNF 5024 ADA-2LSV
NAS 50 26 UUNR	NAS 50 26 ZZNR	10.5	130	200	208.4	94	95	77	156	537000	1000000	SL 04 5026 X	SL 04 5026 PPX	NNF 5026 EDA.2LS.V	NNF 5026 ADA-2LSV
NAS 50 28 UUNR	NAS 50 28 ZZNR	11.0	140	210	218.4	94	95	77	167	543000	1070000	SL 04 5028 X	SL 04 5028 PPX	NNF 5028 ADA.2LS.V	NNF 5028 ADA-2LSV
NAS 50 30 UUNR	NAS 50 30 ZZNR	13.5	150	225	233.4	99	100	81	176.5	623000	1210000	SL 04 5030 X	SL 04 5030 PPX	NNF 5030 ADA.2LS.V	NNF 5030 ADA-2LSV
NAS 50 32 UUNR	NAS 50 32 ZZNR	16.5	160	240	248.4	108	109	89	188.5	720000	1390000	SL 04 5032 X	SL 04 5032 PPX	NNF 5032 ADA.2LS.V	NNF 5032 ADA-2LSV
NAS 50 34 UUNR	NAS 50 34 ZZNR	22.5	170	260	270	121	122	99	204.5	857000	1730000	SL 04 5034 X	SL 04 5034 PPX	NNF 5034 ADA.2LS.V	NNF 5034 ADA-2LSV
NAS 50 36 UUNR	NAS 50 36 ZZNR	30.0	180	280	294	135	136	110	217	1070000	2140000	SL 04 5036 X	SL 04 5036 PPX	NNF 5036 EDA.2LS.V	NNF 5036 ADA-2LSV
NAS 50 38 UUNR	NAS 50 38 ZZNR	31.5	190	290	306	135	136	110	225	1120000	2230000	SL 04 5038 X	SL 04 5038 PPX	—	NNF 5038 ADA-2LSV
NAS 50 40 UUNR	NAS 50 40 ZZNR	40.5	200	310	326	149	150	120	242	1310000	2650000	SL 04 5040 X	SL 04 5040 PPX	—	NNF 5040 ADA-2LSV
NAS 50 44 UUNR	NAS 50 44 ZZNR	52.0	220	340	356	159	160	130	260	1510000	3110000	SL 04 5044 X	SL 04 5044 PPX	—	NNF 5044 ADA-2LSV
NAS 50 48 UUNR	NAS 50 48 ZZNR	55.5	240	360	376	159	160	130	278.5	1570000	3350000	SL 04 5048 X	SL 04 5048 PPX	—	NNF 5048 ADA-2LSV
NAS 50 52 UUNR	NAS 50 52 ZZNR	85.0	260	400	416	189	190	154	312	2130000	4510000	SL 04 5052 X	SL 04 5052 PPX	—	—
NAS 50 56 UUNR	NAS 50 56 ZZNR	90.9	280	420	440	189	190	154	335	2210000	4860000	SL 04 5056 X	SL 04 5056 PPX	—	—
NAS 50 60 UU	NAS 50 60 ZZ	130	300	460	—	216	218	—	359	2670000	5870000	SL 04 5060 X	SL 04 5060 PPX	—	—
NAS 50 64 UU	NAS 50 64 ZZ	135	320	480	—	216	218	—	375	2700000	6140000	—	—	—	—
NAS 50 68 UU	NAS 50 68 ZZ	180	340	520	—	241	243	—	404	3370000	7560000	—	—	—	—
NAS 50 72 UU	NAS 50 72 ZZ	190	360	540	—	241	243	—	423	3420000	7940000	—	—	—	—
NAS 50 76 UU	NAS 50 76 ZZ	200	380	560	—	241	243	—	442	3580000	8300000	—	—	—	—
NAS 50 80 UU	NAS 50 80 ZZ	265	400	600	—	270	272	—	471	4250000	10100000	—	—	—	—
NAS 50 84 UU	NAS 50 84 ZZ	275	420	620	—	270	272	—	490	4390000	10400000	—	—	—	—
NAS 50 88 UU	NAS 50 88 ZZ	310	440	650	—	278	280	—	516	4570000	10900000	—	—	—	—

Note 1): Some of dimension L are not interchangeable.

Note 2): With lubrication hole and groove on outer ring.

**THRUST
NEEDLE ROLLER BEARINGS**

Metric Dimension



NTB

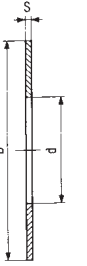
DIMENSION TABLE

INTERCHANGE TABLE

IKO NUMBER NTB	WEIGHT (g)	DIMENSIONS (mm)			BASIC DYNAMIC LOAD RATING (N)	BASIC STATIC LOAD RATING (N)	INA	SKF	FAG	TORRINGTON
		d	D	Dw			AXK	AXK	AXK	FNT(A)
NTB 1024	3.3	10	24	2	7820	23900	AXK 1024	AXK 1024	AXK 1024	FNT-1024
NTB 1226	3.8	12	26	2	8340	26900	AXK 1226	AXK 1226	AXK 1226	FNT-1226
NTB 1528	4.1	15	28	2	8830	29900	AXK 1528	AXK 1528	AXK 1528	FNT-1528
NTB 1629	4.3	16	29	2	9070	31400	—	—	—	—
NTB 1730	4.5	17	30	2	9320	32900	AXK 1730	AXK 1730	AXK 1730	FNT-1730
NTB 1831	4.7	18	31	2	9550	34400	—	—	—	—
NTB 2035	6.1	20	35	2	11700	46500	AXK 2035	AXK 2035	AXK 2035	FNTA-2035
NTB 2542	8.2	25	42	2	14400	64700	AXK 2542	AXK 2542	AXK 2542	FNT-2542
NTB 3047	9.4	30	47	2	15400	73300	AXK 3047	AXK 3047	AXK 3047	FNTA-3047
NTB 3552	10.6	35	52	2	16300	81900	AXK 3552	AXK 3552	AXK 3552	FNT-3552
NTB 40603	22	40	60	3	24200	108000	AXK 4060	AXK 4060	AXK 4060	FNT-4060
NTB 4565	24.5	45	65	3	25900	121000	AXK 4565	AXK 4565	AXK 4565	FNT-4565
NTB 5070	26.5	50	70	3	27600	135000	AXK 5070	AXK 5070	AXK 5070	FNT-5070
NTB 5578	33.5	55	78	3	32400	171000	AXK 5578	AXK 5578	AXK 5578	FNT-5578
NTB 6085	38.5	60	85	3	38200	219000	AXK 6085	AXK 6085	AXK 6085	FNTA-6085
NTB 6590	41.5	65	90	3	40100	237000	AXK 6590	AXK 6590	AXK 6590	FNTA-6590
NTB 7095	61	70	95	4	47400	244000	AXK 7095	AXK 7095	AXK 7095	FNTA-7095
NTB 75100	65	75	100	4	48400	256000	AXK 75100	AXK 75100	AXK 75100	FNT-75100
NTB 80105	68.5	80	105	4	49500	267000	AXK 80105	AXK 80105	AXK 80105	FNTA-80105
NTB 75110	72	85	110	4	50300	279000	AXK 75110	AXK 75110	AXK 75110	FNTA-75110
NTB 90120	92	90	120	4	64500	394000	AXK 90120	AXK 90120	AXK 90120	FNTA-90120
NTB 100135	119	100	135	4	80300	541000	AXK 100135	AXK 100135	AXK 100135	FNTA-100135
NTB 110145	129	110	145	4	83200	578000	AXK 110145	AXK 110145	AXK 110145	—
NTB 120155	139	120	155	4	87900	634000	AXK 120155	AXK 120155	AXK 120155	—
NTB 130170	225	130	170	5	120000	839000	AXK 130170	AXK 130170	AXK 130170	—

**THRUST WASHERS
FOR NTB SERIES**

Metric Dimension



AS

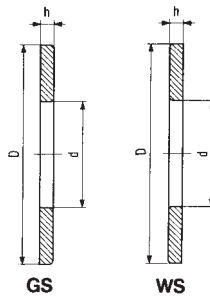
DIMENSION TABLE

INTERCHANGE TABLE

IKO NUMBER AS	WEIGHT (g)	DIMENSIONS (mm)			INA	SKF	FAG	TORRINGTON
		d	D	S	AS	AS	AS	FTRA
AS 1024	2.9	10	24	1	AS 1024	AS 1024	AS 1024	FTRA-1024
AS 1226	3.2	12	26	1	AS 1226	AS 1226	AS 1226	FTRA-1226
AS 1528	3.4	15	28	1	AS 1528	AS 1528	AS 1528	FTRA-1528
AS 1629	3.6	16	29	1	—	—	—	—
AS 1730	3.7	17	30	1	AS 1730	AS 1730	AS 1730	FTRA-1730
AS 1831	3.9	18	31	1	—	—	—	—
AS 2035	5	20	35	1	AS 2035	AS 2035	AS 2035	FTRA-2035
AS 2542	6.9	25	42	1	AS 2542	AS 2542	AS 2542	FTRA-2542
AS 3047	7.9	30	47	1	AS 3047	AS 3047	AS 3047	FTRA-3047
AS 3552	8.9	35	52	1	AS 3552	AS 3552	AS 3552	FTRA-3552
AS 4060	12.1	40	60	1	AS 4060	AS 4060	AS 4060	FTRA-4060
AS 4565	13.3	45	65	1	AS 4565	AS 4565	AS 4565	FTRA-4565
AS 5070	14.5	50	70	1	AS 5070	AS 5070	AS 5070	FTRA-5070
AS 5578	18.5	55	78	1	AS 5578	AS 5578	AS 5578	FTRA-5578
AS 6085	22	60	85	1	AS 6085	AS 6085	AS 6085	FTRA-6085
AS 6590	23.5	65	90	1	AS 6590	AS 6590	AS 6590	FTRA-6590
AS 7095	25	70	95	1	AS 7095	AS 7095	AS 7095	FTRA-7095
AS 75100	26.5	75	100	1	AS 75100	AS 75100	AS 75100	FTRA-75100
AS 80105	28	80	105	1	AS 80105	AS 80105	AS 80105	FTRA-80105
AS 85110	29.5	85	110	1	AS 85110	AS 85110	AS 85110	FTRA-85110
AS 90120	38	90	120	1	AS 90120	AS 90120	AS 90120	FTRA-90120
AS 100135	50	100	135	1	AS 100135	AS 100135	AS 100135	FTRA-100135

THRUST RACES FOR THRUST BEARINGS

Metric Dimension



DIMENSION TABLE

INTERCHANGE TABLE

IKO NUMBER		WEIGHT (g)	DIMENSIONS (mm)			INA		SKF		FAG	
OUTER RING GS	INNER RING WS		d	D	h	OUTER RING GS	INNER RING WS	OUTER RING GS	INNER RING WS	OUTER RING GS.	INNER RING WS.
GS 1024	WS 1024	8	10	24	2.75	—	—	—	—	—	—
GS 1226	WS 1226	8.9	12	26	2.75	—	—	—	—	—	—
GS 1528	WS 1528	9.3	15	28	2.75	GS 81102	WS 81102	GS 81102	WS 81102	GS.81102	WS.81102
GS 1629	WS 1629	9.8	16	29	2.75	—	—	—	—	—	—
GS 1730	WS 1730	10.2	17	30	2.75	GS 81103	WS 81103	GS 81103	WS 81103	GS.81103	WS.81103
GS 1831	WS 1831	10.7	18	31	2.75	—	—	—	—	—	—
GS 2035	WS 2035	13.8	20	35	2.75	GS 81104	WS 81104	GS 81104	WS 81104	GS.81104	WS.81104
GS 2542	WS 2542	21	25	42	3	GS 81105	WS 81105	GS 81105	WS 81105	GS.81105	WS.81105
GS 3047	WS 3047	24	30	47	3	GS 81106	WS 81106	GS 81106	WS 81106	GS.81106	WS.81106
GS 3052	WS 3052	45	30	52	4.25	GS 81206	WS 81206	GS 81206	WS 81206	GS.81206	WS.81206
GS 3552	WS 3552	31.5	35	52	3.5	GS 81107	WS 81107	GS 81107	WS 81107	GS.81107	WS.81107
GS 3562	WS 3562	81	35	62	5.25	GS 81207	WS 81207	GS 81207	WS 81207	GS.81207	WS.81207
GS 4060	WS 4060	42.5	40	60	3.5	GS 81108	WS 81108	GS 81108	WS 81108	GS.81108	WS.81108
GS 4068	WS 4068	89	40	68	5	GS 81208	WS 81208	GS 81208	WS 81208	GS.81208	WS.81208
GS 4565	WS 4565	53.5	45	65	4	GS 81109	WS 81109	GS 81109	WS 81109	GS.81109	WS.81109
GS 4573	WS 4573	108	45	73	5.5	GS 81209	WS 81209	GS 81209	WS 81209	GS.81209	WS.81209
GS 5070	WS 5070	58.5	50	70	4	GS 81110	WS 81110	GS 81110	WS 81110	GS.81110	WS.81110
GS 5078	WS 5078	118	50	78	5.5	—	—	—	—	—	—
GS 5578	WS 5578	93	55	78	5	GS 81111	WS 81111	GS 81111	WS 81111	GS.81111	WS.81111
GS 5590	WS 5590	225	55	90	7	GS 81211	WS 81211	GS 81211	WS 81211	GS.81211	WS.81211
GS 6085	WS 6085	105	60	85	4.75	GS 81112	WS 81112	GS 81112	WS 81112	GS.81112	WS.81112
GS 6095	WS 6095	240	60	95	7.5	GS 81212	WS 81212	GS 81212	WS 81212	GS.81212	WS.81212
GS 60130	WS 60130	650	60	130	8	—	—	—	—	—	—
GS 6590	WS 6590	124	65	90	5.25	GS 81113	WS 81113	GS 81113	WS 81113	GS.81113	WS.81113
GS 65100	WS 65100	275	65	100	8	GS 81213	WS 81213	GS 81213	WS 81213	GS.81213	WS.81213
GS 7095	WS 7095	132	70	95	5.25	GS 81114	WS 81114	GS 81114	WS 81114	GS.81114	WS.81114
GS 70105	WS 70105	290	70	105	8	GS 81214	WS 81214	GS 81214	WS 81214	GS.81214	WS.81214
GS 70140	WS 70140	680	70	140	8	—	—	—	—	—	—
GS 75100	WS 75100	153	75	100	5.75	GS 81115	WS 81115	GS 81115	WS 81115	GS.81115	WS.81115
GS 75110	WS 75110	310	75	110	8	GS 81215	WS 81215	GS 81215	WS 81215	GS.81215	WS.81215
GS 80105	WS 80105	162	80	105	5.75	GS 81116	WS 81116	GS 81116	WS 81116	GS.81116	WS.81116
GS 80115	WS 80115	345	80	115	8.5	GS 81216	WS 81216	GS 81216	WS 81216	GS.81216	WS.81216
GS 80150	WS 80150	790	80	150	8	—	—	—	—	—	—
GS 85110	WS 85110	170	85	110	5.75	GS 81117	WS 81117	GS 81117	WS 81117	GS.81117	WS.81117
GS 85125	WS 85125	475	85	125	9.5	GS 81217	WS 81217	GS 81217	WS 81217	GS.81217	WS.81217
GS 90120	WS 90120	250	90	120	6.5	GS 81118	WS 81118	GS 81118	WS 81118	GS.81118	WS.81118
GS 90135	WS 90135	645	90	135	10.5	GS 81218	WS 81218	GS 81218	WS 81218	GS.81218	WS.81218
GS 90160	WS 90160	855	90	160	8	—	—	—	—	—	—
GS 100135	WS 100135	350	100	135	7	GS 81120	WS 81120	GS 81120	WS 81120	GS.81120	WS.81120
GS 100150	WS 100150	870	100	150	11.5	GS 81220	WS 81220	GS 81220	WS 81220	GS.81220	WS.81220

Note 1): Some of dimension d are not interchangeable.

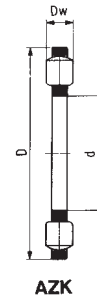
DIMENSION TABLE

INTERCHANGE TABLE

IKO NUMBER		WEIGHT (g)	DIMENSIONS (mm)			INA		SKF		FAG	
OUTER RING GS	INNER RING WS		d	D	h	OUTER RING GS	INNER RING WS	OUTER RING GS	INNER RING WS	OUTER RING GS.	INNER RING WS.
GS 100190	WS 100190	1920	100	190	12	—	—	—	—	—	—
GS 110145	WS 110145	380	110	145	7	GS 81122	WS 81122	GS 81122	WS 81122	GS.81122	WS.81122
GS 110160	WS 110160	950	110	160	11.5	GS 81222	WS 81222	GS 81222	WS 81222	GS.81222	WS.81222
GS 110200	WS 110200	2060	110	200	12	—	—	—	—	—	—
GS 120155	WS 120155	410	120	155	7	GS 81124	WS 81124	GS 81124	WS 81124	GS.81124	WS.81124
GS 120175	WS 120175	1190	120	175	12	—	—	—	—	—	—
GS 120220	WS 120220	2500	120	220	12	—	—	—	—	—	—
GS 130170	WS 130170	660	130	170	9	GS 81126	WS 81126	GS 81126	WS 81126	GS.81126	WS.81126
GS 130185	WS 130185	1270	130	185	12	—	—	—	—	—	—
GS 130230	WS 130230	2650	130	230	12	—	—	—	—	—	—
GS 140180	WS 140180	745	140	180	9.5	GS 81128	WS 81128	—	—	GS.81128	WS.81128
GS 140195	WS 140195	1350	140	195	12	—	—	—	—	—	—
GS 140240	WS 140240	2790	140	240	12	—	—	—	—	—	—
GS 150190	WS 150190	790	150	190	9.5	GS 81130	WS 81130	—	—	GS.81130	WS.81130
GS 150205	WS 150205	1430	150	205	12	—	—	—	—	—	—
GS 150250	WS 150250	2940	150	250	12	—	—	—	—	—	—
GS 160200	WS 160200	840	160	200	9.5	GS 81132	WS 81132	—	—	GS.81132	WS.81132
GS 160270	WS 160270	3480	160	270	12	—	—	—	—	—	—
GS 170230	WS 170230	1900	170	230	13	—	—	—	—	—	—
GS 170280	WS 170280	3640	170	280	12	—	—	—	—	—	—
GS 180240	WS 180240	2000	180	240	13	—	—	—	—	—	—
GS 180310	WS 180310	4700	180	310	12	—	—	—	—	—	—
GS 190255	WS 190255	2480	190	255	14	—	—	—	—	—	—
GS 190320	WS 190320	4860	190	320	12	—	—	—	—	—	—
GS 200265	WS 200265	2590	200	265	14	—	—	—	—	—	—
GS 200340	WS 200340	5540	200	340	12	—	—	—	—	—	—
GS 220290	WS 220290	3060	220	290	14	—	—	—	—	—	—
GS 220360	WS 220360	8000	220	360	16	—	—	—	—	—	—
GS 240315	WS 240315	3840	240	315	15	—	—	—	—	—	—
GS 240380	WS 240380	8530	240	380	16	—	—	—	—	—	—
GS 260340	WS 260340	4400	260	340	15	—	—	—	—	—	—
GS 260420	WS 260420	16700	260	420	25	—	—	—	—	—	—
GS 280440	WS 280440	17700	280	440	25	—	—	—	—	—	—
GS 300480	WS 300480	22900	300	480	30	—	—	—	—	—	—
GS 320500	WS 320500	27200	320	500	30	—	—	—	—	—	—

THRUST ROLLER BEARINGS

Metric Dimension



DIMENSION TABLE

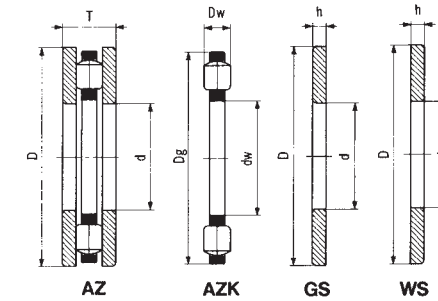
IKO NUMBER AZK	WEIGHT (g)	DIMENSIONS (mm)			BASIC DYNAMIC LOAD RATING (N)	BASIC STATIC LOAD RATING (N)	INTERCHANGE TABLE		
		d	D	Dw			INA K	SKF K	FAG K.
AZK 10243.5	8.6	10	24	3.5	8990	19100	—	—	—
AZK 12263.5	8.7	12	26	3.5	10400	23900	—	—	—
AZK 15283.5	9.4	15	28	3.5	10200	23900	K 81102 TN	K 81102	K.81102 LPB
AZK 17303.5	10.1	17	30	3.5	11400	28600	K 81103 TN	K 81103	K.81103 LPB
AZK 20354.5	17.9	20	35	4.5	19000	48700	K 81104 TN	K 81104	K.81104 TVPB
AZK 25425	28	25	42	5	22700	60700	K 81105 TN	K 81105	K.81105 TVPB
AZK 30475	31	30	47	5	27400	81000	K 81106 TN	K 81106	K.81106 TVPB-1
AZK 30527.5	70	30	52	7.5	38400	95700	K 81206 TN	K 81206	K.81206 LPB
AZK 35525	36	35	52	5	29100	91100	K 81107 TN	K 81107	K.81107 LPB
AZK 35627.5	98	35	62	7.5	47900	135000	K 81207 TN	K 81207	K.81207 LPB
AZK 40606	54	40	60	6	41700	133000	K 81108 TN	K 81108	K.81108 LPB
AZK 40689	132	40	68	9	68700	195000	K 81208 TN	K 81208	K.81208 TVPB
AZK 45656	62	45	65	6	40800	133000	K 81109 TN	K 81109	K.81109 TVPB
AZK 45739	144	45	73	9	75700	227000	K 81209 TN	K 81209	K.81209 TVPB
AZK 50706	68	50	70	6	43300	148000	K 81110 TN	K 81110	K.81110 LPB
AZK 507811	194	50	78	11	84300	232000	—	—	—
AZK 55786	89	55	78	6	51700	192000	K 81111 TN	K 81111	K.81111 TVPB
AZK 559011	275	55	90	11	108000	332000	K 81211 TN	K 81211	K.81211 TVPB
AZK 60857.5	135	60	85	7.5	64600	224000	K 81112 TN	K 81112	K.81112 LPB
AZK 609511	290	60	95	11	106000	332000	K 81212 TN	K 81212	K.81212 LPB
AZK 6013010	790	60	130	10	158000	634000	—	—	—
AZK 65907.5	132	65	90	7.5	68300	247000	K 81113 TN	K 81113	K.81113 LPB
AZK 6510011	310	65	100	11	116000	379000	K 81213 TN	K 81213	K.81213 LPB
AZK 70957.5	156	70	95	7.5	72000	269000	K 81114 TN	K 81114	K.81114 LPB
AZK 7010511	325	70	105	11	114000	379000	K 81214 TN	K 81214	K.81214 LPB
AZK 7014010	890	70	140	10	169000	713000	—	—	—
AZK 751007.5	159	75	100	7.5	71100	269000	K 81115	K 81115	K.81115 LPB
AZK 7511011	340	75	110	11	123000	427000	K 81215	K 81215	K.81215 LPB
AZK 801057.5	171	80	105	7.5	74500	292000	K 81116	K 81116	K.81116 LPB
AZK 8011511	370	80	115	11	122000	427000	K 81216 TN	K 81216	K.81216 LPB
AZK 8015010	920	80	150	10	180000	792000	—	—	—
AZK 851107.5	190	85	110	7.5	77800	314000	K 81117 TN	K 81117	K.81117 LPB
AZK 8512512	510	85	125	12	145000	513000	K 81217	K 81217	K.81217 LPB
AZK 901209	290	90	120	9	99700	390000	K 81118	K 81118	K.81118 LPB
AZK 9013514	750	90	135	14	181000	626000	K 81218 TN	K 81218	K.81218 LPB
AZK 9016010	1000	90	160	10	189000	871000	—	—	—
AZK 10013511	490	100	135	11	136000	522000	K 81120	K 81120	K.81120 LPB
AZK 10015015	980	100	150	15	219000	796000	K 81220	K 81220	K.81220 LPB
AZK 10019015	2120	100	190	15	333000	1420000	—	—	—
AZK 11014511	590	110	145	11	142000	569000	K 81122	K 81122	K.81122 LPB

DIMENSION TABLE

IKO NUMBER AZK	WEIGHT (g)	DIMENSIONS (mm)			BASIC DYNAMIC LOAD RATING (N)	BASIC STATIC LOAD RATING (N)	INTERCHANGE TABLE		
		d	D	S			INA K	SKF K	FAG K.
AZK 11016017	1320	110	160	17	282000	1030000	—	—	—
AZK 11020015	2280	110	200	15	388000	1770000	—	—	—
AZK 12015511	630	120	155	11	149000	617000	K 81124	K 81124	K.81124 MPB
AZK 12017518	1640	120	175	18	313000	1160000	—	—	—
AZK 12022015	2730	120	220	15	415000	1980000	—	—	—
AZK 13017012	860	130	170	12	176000	741000	K 81126	K 81126	K.81126 LPB
AZK 13018518	1760	130	185	18	333000	1290000	—	—	—
AZK 13023015	2940	130	230	15	440000	2180000	—	—	—
AZK 14018012	920	140	180	12	184000	798000	K 81128	K 81128	K.81128 MPB
AZK 14019518	1860	140	195	18	353000	1420000	—	—	—
AZK 14024015	3100	140	240	15	435000	2180000	—	—	—
AZK 15019012	980	150	190	12	181000	798000	K 81130	K 81130	K.81130 MPB
AZK 15020518	1980	150	205	18	349000	1420000	—	—	—
AZK 15025015	3260	150	250	15	459000	2380000	—	—	—
AZK 16020012	1030	160	200	12	189000	855000	K 81132	K 81132	K.81132 MPB
AZK 16027015	3840	160	270	15	519000	2850000	—	—	—
AZK 17023019	2420	170	230	19	406000	1730000	—	—	—
AZK 17028015	4020	170	280	15	543000	3070000	—	—	—
AZK 18024019	2540	180	240	19	426000	1870000	—	—	—
AZK 18031015	5200	180	310	15	619000	3710000	—	—	—
AZK 19025520	3100	190	255	20	470000	2080000	—	—	—
AZK 19032015	5280	190	320	15	647000	3980000	—	—	—
AZK 20026520	3250	200	265	20	465000	2080000	—	—	—
AZK 20034015	6120	200	340	15	710000	4580000	—	—	—
AZK 22029022	4280	220	290	22	557000	2530000	—	—	—
AZK 22036020	8000	220	360	20	943000	5520000	—	—	—
AZK 24031524	5520	240	315	24	695000	3250000	—	—	—
AZK 24038020	9440	240	380	20	977000	5910000	—	—	—
AZK 26034025	6600	260	340	25	739000	3510000	—	—	—
AZK 26042030	18200	260	420	30	1430000	7490000	—	—	—
AZK 28044030	19200	280	440	30	1420000	7490000	—	—	—

THRUST ROLLER BEARINGS

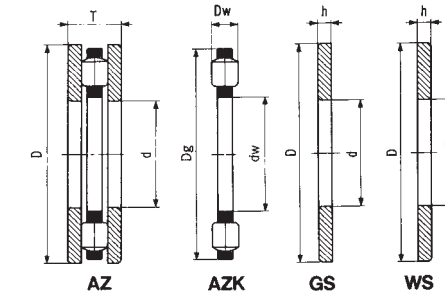
Metric Dimension



DIMENSION TABLE

IKO NUMBER AZ	WEIGHT (g)	DIMENSIONS (mm)							BASIC DYNAMIC LOAD RATING (N)	BASIC STATIC LOAD RATING (N)	ROLLER AND CAGE ASSEMBLY			WITH RINGS	
		d	D	T	dw	Dg	Dw	h			AZK	GS	WS	INA 811.812	SKF 811.812
AZ 10249	24.6	10	24	9	10.04	23.6	3.5	2.75	8990	19100	AZK 10243.5	GS 1024	WS 1024	—	—
AZ 12269	26.5	12	26	9	12.04	25.6	3.5	2.75	10400	23900	AZK 12263.5	GS 1226	WS 1226	—	—
AZ 15289	28	15	28	9	15.04	27.6	3.5	2.75	10200	23900	AZK 15283.5	GS 1528	WS 1528	81102 TN	81102
AZ 17309	30.5	17	30	9	17.04	29.6	3.5	2.75	11400	28600	AZK 17303.5	GS 1730	WS 1730	81103 TN	81103
AZ 203510	45.5	20	35	10	20.04	34.6	4.5	2.75	19000	48700	AZK 20354.5	GS 2035	WS 2035	81104 TN	81104
AZ 254211	70	25	42	11	25.05	41.6	5	3	22700	60700	AZK 25425	GS 2542	WS 2542	81105 TN	81105
AZ 304711	79	30	47	11	30.05	46.5	5	3	27400	81000	AZK 30475	GS 3047	WS 3047	81106 TN	81106
AZ 305216	160	30	52	16	30.05	51.5	7.5	4.25	38400	95700	AZK 30527.5	GS 3052	WS 3052	81206 TN	81206
AZ 355212	99	35	52	12	35.05	51.5	5	3.5	29100	91100	AZK 35525	GS 3552	WS 3552	81107 TN	81107
AZ 356218	260	35	62	18	35.05	61.5	7.5	5.25	47900	135000	AZK 35627.5	GS 3562	WS 3562	81207 TN	81207
AZ 406013	139	40	60	13	40.05	59.5	6	3.5	41700	133000	AZK 40606	GS 4060	WS 4060	81108 TN	81108
AZ 406819	310	40	68	19	40.05	67.5	9	5	68700	195000	AZK 40689	GS 4068	WS 4068	81208 TN	81208
AZ 456514	169	45	65	14	45.05	64.5	6	4	40800	133000	AZK 45656	GS 4565	WS 4565	81109 TN	81109
AZ 457320	360	45	73	20	45.05	72.5	9	5.5	75700	227000	AZK 45739	GS 4573	WS 4573	81209 TN	81209
AZ 507014	185	50	70	14	50.05	69.5	6	4	43300	148000	AZK 50706	GS 5070	WS 5070	81110 TN	81110
AZ 507822	430	50	78	22	50.05	77.5	11	5.5	84300	232000	AZK 507811	GS 5078	WS 5078	81210 TN	81210
AZ 557816	275	55	78	16	55.05	77.5	6	5	51700	192000	AZK 55786	GS 5578	WS 5578	81111 TN	81111
AZ 559025	725	55	90	25	55.05	89.5	11	7	108000	332000	AZK 559011	GS 5590	WS 5590	81211 TN	81211
AZ 608517	345	60	85	17	60.05	84.5	7.5	4.75	64600	224000	AZK 60857.5	GS 6085	WS 6085	81112 TN	81112
AZ 609526	770	60	95	26	60.05	94.5	11	7.5	106000	332000	AZK 609511	GS 6095	WS 6095	81212 TN	81212
AZ 6013026	2090	60	130	26	60.05	129.5	10	8	158000	634000	AZK 6013010	GS 60130	WS 60130	—	—
AZ 659018	380	65	90	18	65.05	89.5	7.5	5.25	68300	247000	AZK 65907.5	GS 6590	WS 6590	81113 TN	81113
AZ 6510027	860	65	100	27	65.05	99.5	11	8	116000	379000	AZK 6510011	GS 65100	WS 65100	81213 TN	81213
AZ 709518	420	70	95	18	70.05	94.5	7.5	5.25	72000	269000	AZK 70957.5	GS 7095	WS 7095	81114 TN	81114
AZ 7010527	905	70	105	27	70.05	104.5	11	8	114000	379000	AZK 7010511	GS 70105	WS 70105	81214 TN	81214
AZ 7014026	2250	70	140	26	70.05	139.5	10	8	169000	713000	AZK 7014010	GS 70140	WS 70140	—	—
AZ 7510019	465	75	100	19	75.05	99.5	7.5	5.75	71100	269000	AZK 751007.5	GS 75100	WS 75100	81115	81115
AZ 7511027	960	75	110	27	75.05	109.5	11	8	123000	427000	AZK 7511011	GS 75110	WS 75110	81215	81215
AZ 8010519	495	80	105	19	80.05	104.5	7.5	5.75	74500	292000	AZK 801057.5	GS 80105	WS 80105	81116	81116
AZ 8011528	1060	80	115	28	80.05	114.5	11	8.5	122000	427000	AZK 8011511	GS 80115	WS 80115	81216 TN	81216
AZ 8015026	2500	80	150	26	80.05	149.5	10	8	180000	792000	AZK 8015010	GS 80150	WS 80150	—	—
AZ 8511019	530	85	110	19	85.05	109.5	7.5	5.75	77800	314000	AZK 851107.5	GS 85110	WS 85110	81117 TN	81117
AZ 8512531	1460	85	125	31	85.05	124.5	12	9.5	145000	513000	AZK 8512512	GS 85125	WS 85125	81217	81217
AZ 9012022	790	90	120	22	90.05	119.5	9	6.5	99700	390000	AZK 901209	GS 90120	WS 90120	81118	81118
AZ 9013535	2040	90	135	35	90.05	134.5	14	10.5	181000	626000	AZK 9013514	GS 90135	WS 90135	81218 TN	81218
AZ 9016026	2710	90	160	26	90.05	159.5	10	8	189000	871000	AZK 9016010	GS 90160	WS 90160	—	—
AZ 10013525	1190	100	135	25	100.05	134.5	11	7	136000	522000	AZK 10013511	GS 100135	WS 100135	81120	81120
AZ 10015038	2720	100	150	38	100.05	149.5	15	11.5	219000	796000	AZK 10015015	GS 100150	WS 100150	81220	81220
AZ 10019039	5960	100	190	39	100.1	189.3	15	12	333000	1420000	AZK 10019015	GS 100190	WS 100190	—	—
AZ 11014525	1350	110	145	25	110.1	144.5	11	7	142000	569000	AZK 11014511	GS 110145	WS 110145	81122	81122

INTERCHANGE TABLE



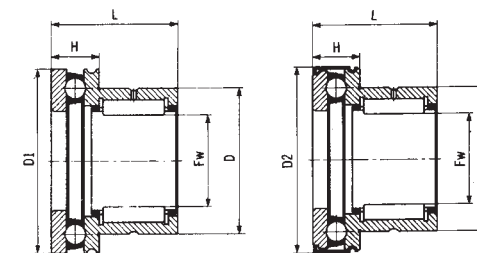
DIMENSION TABLE

INTERCHANGE TABLE

IKO NUMBER AZ	WEIGHT (g)	DIMENSIONS (mm)							BASIC DYNAMIC LOAD RATING (N)	BASIC STATIC LOAD RATING (N)	ROLLER AND CAGE ASSEMBLY	OUTER RING	INNER RING	WITH RINGS	
		d	D	T	dw	Dg	Dw	h			AZK	GS	WS	INA 811.812	SKF 811.812
AZ 11016040	3220	110	160	40	110.1	159.5	17	11.5	282000	1030000	AZK 11016017	GS 110160	WS 110160	—	—
AZ 11020039	6400	110	200	39	110.1	199.3	15	12	388000	1770000	AZK 11020015	GS 110200	WS 110200	—	—
AZ 12015525	1450	120	155	25	120.1	154.5	11	7	149000	617000	AZK 12015511	GS 120155	WS 120155	81124	81124
AZ 12017542	4020	120	175	42	120.1	174.5	18	12	313000	1160000	AZK 12017518	GS 120175	WS 120175	—	—
AZ 12022039	7730	120	220	39	120.1	219	15	12	415000	1980000	AZK 12022015	GS 120220	WS 120220	—	—
AZ 13017030	2180	130	170	30	130.1	169.5	12	9	176000	741000	AZK 13017012	GS 130170	WS 130170	81126	81126
AZ 13018542	4300	130	185	42	130.1	184.5	18	12	333000	1290000	AZK 13018518	GS 130185	WS 130185	—	—
AZ 13023039	8240	130	230	39	130.1	229	15	12	440000	2180000	AZK 13023015	GS 130230	WS 130230	—	—
AZ 14018031	2410	140	180	31	140.1	179.5	12	9.5	184000	798000	AZK 14018012	GS 140180	WS 140180	81128	81128
AZ 14019542	4560	140	195	42	140.1	194.5	18	12	353000	1420000	AZK 14019518	GS 140195	WS 140195	—	—
AZ 14024039	8680	140	240	39	140.1	239	15	12	435000	2180000	AZK 14024015	GS 140240	WS 140240	—	—
AZ 15019031	2560	150	190	31	150.1	189.5	12	9.5	181000	798000	AZK 15019012	GS 150190	WS 150190	81130	81130
AZ 15020542	4840	150	205	42	150.1	204.5	18	12	349000	1420000	AZK 15020518	GS 150205	WS 150205	—	—
AZ 15025039	9140	150	250	39	150.1	249	15	12	459000	2380000	AZK 15025015	GS 150250	WS 150250	—	—
AZ 16020031	2710	160	200	31	160.1	199.5	12	9.5	189000	855000	AZK 16020012	GS 160200	WS 160200	81132	81132
AZ 16027039	10800	160	270	39	160.1	269	15	12	519000	2850000	AZK 16027015	GS 160270	WS 160270	—	—
AZ 17023045	6220	170	230	45	170.1	229	19	13	406000	1730000	AZK 17023019	GS 170230	WS 170230	—	—
AZ 17028039	11300	170	280	39	170.1	279	15	12	543000	3070000	AZK 17028015	GS 170280	WS 170280	—	—
AZ 18024045	6540	180	240	45	180.1	239	19	13	426000	1870000	AZK 18024019	GS 180240	WS 180240	—	—
AZ 18031039	14600	180	310	39	180.1	308	15	12	619000	3710000	AZK 18031015	GS 180310	WS 180310	—	—
AZ 19025548	8060	190	255	48	190.1	254	20	14	470000	2080000	AZK 19025520	GS 190255	WS 190255	—	—
AZ 19032039	15000	190	320	39	190.1	318	15	12	647000	3980000	AZK 19032015	GS 190320	WS 190320	—	—
AZ 20026548	8430	200	265	48	200.15	264	20	14	465000	2080000	AZK 20026520	GS 200265	WS 200265	—	—
AZ 20034039	17200	200	340	39	200.15	338	15	12	710000	4580000	AZK 20034015	GS 200340	WS 200340	—	—
AZ 22029050	10400	220	290	50	220.15	289	22	14	557000	2530000	AZK 22029022	GS 220290	WS 220290	—	—
AZ 22036052	24000	220	360	52	220.15	358	20	16	943000	5520000	AZK 22036020	GS 220360	WS 220360	—	—
AZ 24031554	13200	240	315	54	240.15	314	24	15	695000	3250000	AZK 24031524	GS 240315	WS 240315	—	—
AZ 24038052	26500	240	380	52	240.15	378	20	16	977000	5910000	AZK 24038020	GS 240380	WS 240380	—	—
AZ 26034055	15400	260	340	55	260.15	339	25	15	739000	3510000	AZK 26034025	GS 260340	WS 260340	—	—
AZ 26042080	51600	260	420	80	260.15	418	30	25	1430000	7490000	AZK 26042030	GS 260420	WS 260420	—	—
AZ 28044080	54600	280	440	80	280.15	438	30	25	1420000	7490000	AZK 28044030	GS 280440	WS 280440	—	—

**NEEDLE ROLLER BEARINGS
WITH THRUST BALL BEARINGS**

Metric Dimension



NAX

NAX..Z

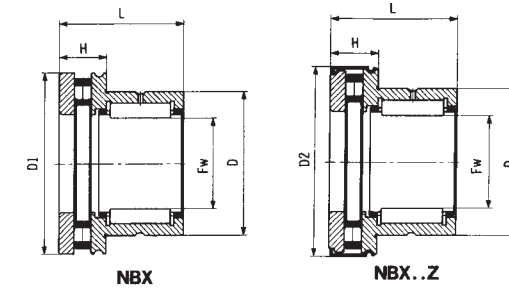
DIMENSION TABLE

INTERCHANGE TABLE

IKO NUMBER WITHOUT COVER NAX	WEIGHT (g)	IKO NUMBER WITH COVER NAX..Z	WEIGHT (g)	DIMENSIONS (mm)						BASIC DYNAMIC LOAD RATING (N)		BASIC STATIC LOAD RATING (N)		INA		SKF		FAG	
				Fw	D	D1	D2	L	H	RADIAL	AXIAL	RADIAL	AXIAL	WITHOUT COVER NKX	WITH COVER NKX..Z	WITHOUT COVER NKX	WITH COVER NKX..Z	WITHOUT COVER NKX	WITH COVER NKX..Z
NAX 1023	38.5	NAX 1023 Z	40	10	19	24	25	23	9	8230	10000	9190	11100	NKX 10 TN	NKX 10 ZTN	NKX 10 TN	NKX 10 ZTN	NAXK 10	NAXK 10 Z
NAX 1223	43.5	NAX 1223 Z	45.5	12	21	26	27	23	9	9250	9670	11200	11100	NKX 12	NKX 12 Z	NKX 12 TN	NKX 12 ZTN	NAXK 12	NAXK 12 Z
NAX 1523	47.5	NAX 1523 Z	48.5	15	24	28	29	23	9	12300	9930	14900	12200	NKX 15	NKX 15 Z	NKX 15	NKX 15 Z	NAXK 15	NAXK 15 Z
NAX 1725	54	NAX 1725 Z	56	17	26	30	31	25	9	12900	10800	16300	14500	NKX 17	NKX 17 Z	NKX 17	NKX 17 Z	NAXK 17	NAXK 17 Z
NAX 2030	85.5	NAX 2030 Z	89	20	30	35	36	30	10	17600	14200	25400	19700	NKX 20	NKX 20 Z	NKX 20	NKX 20 Z	NAXK 20	NAXK 20 Z
NAX 2530	131	NAX 2530 Z	135	25	37	42	43	30	11	20000	19600	32100	29700	NKX 25	NKX 25 Z	NKX 25	NKX 25 Z	NAXK 25	NAXK 25 Z
NAX 3030	145	NAX 3030 Z	151	30	42	47	48	30	11	25100	20400	40100	33600	NKX 30	NKX 30 Z	NKX 30	NKX 30 Z	NAXK 30	NAXK 30 Z
NAX 3530	169	NAX 3530 Z	176	35	47	52	53	30	12	26900	21200	46200	37600	NKX 35	NKX 35 Z	NKX 35	NKX 35 Z	NAXK 35	NAXK 35 Z
NAX 4032	219	NAX 4032 Z	227	40	52	60	61	32	13	29400	26900	54100	50000	NKX 40	NKX 40 Z	NKX 40	NKX 40 Z	NAXK 40	NAXK 40 Z
NAX 4532	264	NAX 4532 Z	273	45	58	65	66.5	32	14	31000	27900	60200	55100	NKX 45	NKX 45 Z	NKX 45	NKX 45 Z	NAXK 45	NAXK 45 Z
NAX 5035	287	NAX 5035 Z	297	50	62	70	71.5	35	14	42200	28800	83400	60100	NKX 50	NKX 50 Z	NKX 50	NKX 50 Z	NAXK 50	NAXK 50 Z
NAX 6040	417	—	—	60	72	85	—	40	17	47500	41400	103000	89700	NKX 60	—	NKX 60	—	NAXK 60	—
NAX 7040	555	—	—	70	85	95	—	40	18	55500	43100	120000	101000	NKX 70	—	NKX 70	—	NAXK 70	—

**NEEDLE ROLLER BEARINGS
WITH THRUST ROLLER BEARINGS**

Metric Dimension



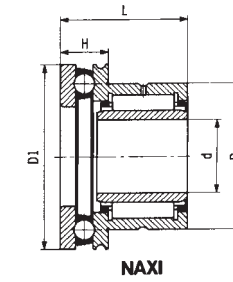
DIMENSION TABLE

INTERCHANGE TABLE

IKO NUMBER WITHOUT COVER NBX	WEIGHT (g)	IKO NUMBER WITH COVER NBX..Z	WEIGHT (g)	DIMENSIONS (mm)						BASIC DYNAMIC LOAD RATING (N)		BASIC STATIC LOAD RATING (N)		INA		SKF		FAG	
				Fw	D	D1	D2	L	H	RADIAL	AXIAL	RADIAL	AXIAL	WITHOUT COVER NKXR	WITH COVER NKXR..Z	WITHOUT COVER NKXR	WITH COVER NKXR..Z	WITHOUT COVER NAXR	WITH COVER NAXR..Z
NBX 1523	54	NBX 1523 Z	55	15	24	28	29	23	9	12300	10200	14900	23900	NKXR 15	NKXR 15 Z	NKXR 15	NKXR 15 Z	NAXR 15	NAXR 15 Z
NBX 1725	61	NBX 1725 Z	63	17	26	30	31	25	9	12900	11400	16300	28600	NKXR 17	NKXR 17 Z	NKXR 17	NKXR 17 Z	NAXR 17	NAXR 17 Z
NBX 2030	94	NBX 2030 Z	97.5	20	30	35	36	30	10	17600	19000	25400	48700	NKXR 20	NKXR 20 Z	NKXR 20	NKXR 20 Z	NAXR 20	NAXR 20 Z
NBX 2530	143	NBX 2530 Z	147	25	37	42	43	30	11	20000	22700	32100	60700	NKXR 25	NKXR 25 Z	NKXR 25	NKXR 25 Z	NAXR 25	NAXR 25 Z
NBX 3030	160	NBX 3030 Z	166	30	42	47	48	30	11	25100	27400	40100	81000	NKXR 30	NKXR 30 Z	NKXR 30	NKXR 30 Z	NAXR 30	NAXR 30 Z
NBX 3530	186	NBX 3530 Z	193	35	47	52	53	30	12	26900	29100	46200	91100	NKXR 35	NKXR 35 Z	NKXR 35	NKXR 35 Z	NAXR 35	NAXR 35 Z
NBX 4032	240	NBX 4032 Z	248	40	52	60	61	32	13	29400	41700	54100	133000	NKXR 40	NKXR 40 Z	NKXR 40	NKXR 40 Z	NAXR 40 X	NAXR 40 X.Z
NBX 4532	293	NBX 4532 Z	302	45	58	65	66.5	32	14	31000	40800	60200	133000	NKXR 45	NKXR 45 Z	NKXR 45	NKXR 45 Z	NAXR 45 X	NAXR 45 X.Z
NBX 5035	315	NBX 5035 Z	325	50	62	70	71.5	35	14	42200	43300	83400	148000	NKXR 50	NKXR 50 Z	NKXR 50	NKXR 50 Z	NAXR 50 X	NAXR 50 X.Z
NBX 6040	501	—	—	60	72	85	—	40	17	47500	64600	103000	224000	—	—	—	—	—	—

**NEEDLE ROLLER BEARINGS
WITH THRUST BALL BEARINGS**

Metric Dimension



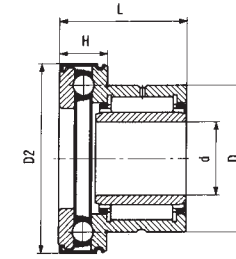
DIMENSION TABLE

INTERCHANGE TABLE

IKO NUMBER NAXI	WEIGHT (g)	DIMENSIONS (mm)					BASIC DYNAMIC LOAD RATING (N)		BASIC STATIC LOAD RATING (N)		INA	SKF	FAG
		d	D	D1	L	H	RADIAL	AXIAL	RADIAL	AXIAL	NKX..+IR	NKX..+IR	NAXK..+JR
NAXI 723	43.5	7	19	24	23	9	8230	10000	9190	11100	NKX 10 TN +IR 7×10×16	NKX 10 TN +IR 7×10×16	NAXK 10 +JR 7×10×16
NAXI 923	49.5	9	21	26	23	9	9250	9670	11200	11100	NKX 12 +IR 9×12×16	NKX 12 TN +IR 9×12×16	NAXK 12 +JR 9×12×16
NAXI 1223	55.5	12	24	28	23	9	12300	9930	14900	12200	NKX 15 +IR 12×15×16	NKX 15 +IR 12×15×16	NAXK 15 +JR 12×15×16
NAXI 1425	63.5	14	26	30	25	9	12900	10800	16300	14500	NKX 17 +IR 14×17×17	NKX 17 +IR 14×17×17	NAXK 17 +JR 14×17×17
NAXI 1730	99	17	30	35	30	10	17600	14200	25400	19700	NKX 20 +IR 17×20×20	NKX 20 +IR 17×20×20	NAXK 20 +JR 17×20×20
NAXI 2030	159	20	37	42	30	11	20000	19600	32100	29700	NKX 25 +IR 20×25×20	NKX 25 +IR 20×25×20	NAXK 25 +JR 20×25×20
NAXI 2530	179	25	42	47	30	11	25100	20400	40100	33600	NKX 30 +IR 25×30×20	NKX 30 +IR 25×30×20	NAXK 30 +JR 25×30×20
NAXI 3030	208	30	47	52	30	12	26900	21200	46200	37600	NKX 35 +IR 30×35×20	NKX 35 +IR 30×35×20	NAXK 35 +JR 30×35×20
NAXI 3532	265	35	52	60	32	13	29400	26900	54100	50000	NKX 40 +IR 35×40×20	NKX 40 +IR 35×40×20	NAXK 40 +JR 35×40×20
NAXI 4032	315	40	58	65	32	14	31000	27900	60200	55100	NKX 45 +IR 40×45×20	NKX 45 +IR 40×45×20	NAXK 45 +JR 40×45×20
NAXI 4535	358	45	62	70	35	14	42200	28800	83400	60100	NKX 50 +IR 45×50×25	NKX 50 +IR 45×50×25	NAXK 50 +JR 45×50×25
NAXI 5040	582	50	72	85	40	17	47500	41400	103000	89700	NKX 60 +IR 50×60×25	NKX 60 +IR 50×60×25	NAXK 60 +JR 50×60×25
NAXI 6040	750	60	85	95	40	18	55500	43100	120000	101000	NKX 70 +IR 60×70×25	NKX 70 +IR 60×70×25	NAXK 70 +JR 60×70×25

**NEEDLE ROLLER BEARINGS
WITH THRUST BALL BEARINGS**

Metric Dimension



NAXI..Z

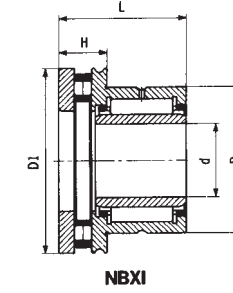
DIMENSION TABLE

INTERCHANGE TABLE

IKO NUMBER NAXI..Z	WEIGHT (g)	DIMENSIONS (mm)					BASIC DYNAMIC LOAD RATING (N)		BASIC STATIC LOAD RATING (N)		INA	SKF	FAG
		d	D	D2	L	H	RADIAL	AXIAL	RADIAL	AXIAL	NKX..Z+IR	NKX..Z+IR	NAXK..Z+JR
NAXI 723 Z	45	7	19	25	23	9	8230	10000	9190	11100	NKX 10 ZTN +IR 7×10×16	NKX 10 ZTN +IR 7×10×16	NAXK 10 Z +JR 7×10×16
NAXI 923 Z	51.5	9	21	27	23	9	9250	9670	11200	11100	NKX 12 Z +IR 9×12×16	NKX 12 ZTN +IR 9×12×16	NAXK 12 Z +JR 9×12×16
NAXI 1223 Z	56.5	12	24	29	23	9	12300	9930	14900	12200	NKX 15 Z +IR 12×15×16	NKX 15 Z +IR 12×15×16	NAXK 15 Z +JR 12×15×16
NAXI 1425 Z	65.5	14	26	31	25	9	12900	10800	16300	14500	NKX 17 Z +IR 14×17×17	NKX 17 Z +IR 14×17×17	NAXK 17 Z +JR 14×17×17
NAXI 1730 Z	103	17	30	36	30	10	17600	14200	25400	19700	NKX 20 Z +IR 17×20×20	NKX 20 Z +IR 17×20×20	NAXK 20 Z +JR 17×20×20
NAXI 2030 Z	163	20	37	43	30	11	20000	19600	32100	29700	NKX 25 Z +IR 20×25×20	NKX 25 Z +IR 20×25×20	NAXK 25 Z +JR 20×25×20
NAXI 2530 Z	185	25	42	48	30	11	25100	20400	40100	33600	NKX 30 Z +IR 25×30×20	NKX 30 Z +IR 25×30×20	NAXK 30 Z +JR 25×30×20
NAXI 3030 Z	215	30	47	53	30	12	26900	21200	46200	37600	NKX 35 Z +IR 30×35×20	NKX 35 Z +IR 30×35×20	NAXK 35 Z +JR 30×35×20
NAXI 3532 Z	273	35	52	61	32	13	29400	26900	54100	50000	NKX 40 Z +IR 35×40×20	NKX 40 Z +IR 35×40×20	NAXK 40 Z +JR 35×40×20
NAXI 4032 Z	324	40	58	66.5	32	14	31000	27900	60200	55100	NKX 45 Z +IR 40×45×20	NKX 45 Z +IR 40×45×20	NAXK 45 Z +JR 40×45×20
NAXI 4535 Z	368	45	62	71.5	35	14	42200	28800	83400	60100	NKX 50 Z +IR 45×50×25	NKX 50 Z +IR 45×50×25	NAXK 50 Z +JR 45×50×25
NAXI 5040 Z	619	50	72	86.5	40	17	47500	41400	103000	89700	—	—	—
NAXI 6040 Z	801	60	85	96.5	40	18	55500	43100	120000	101000	—	—	—

**NEEDLE ROLLER BEARINGS
WITH THRUST ROLLER BEARINGS**

Metric Dimension



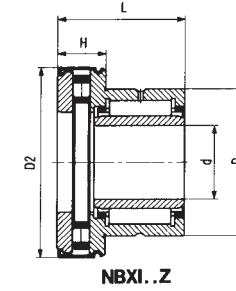
DIMENSION TABLE

INTERCHANGE TABLE

IKO NUMBER NBXI	WEIGHT (g)	DIMENSIONS (mm)					BASIC DYNAMIC LOAD RATING (N)		BASIC STATIC LOAD RATING (N)		INA	SKF	FAG
		d	D	D1	L	H	RADIAL	AXIAL	RADIAL	AXIAL	NKXR..+IR	NKXR..+IR	NAXR..+JR
NBXI 1223	62	12	24	28	23	9	12300	10200	14900	23900	NKXR 15 +IR 12×15×16	NKXR 15 +IR 12×15×16	NAXR 15 +JR 12×15×16
NBXI 1425	70.5	14	26	30	25	9	12900	11400	16300	28600	NKXR 17 +IR 14×17×17	NKXR 17 +IR 14×17×17	NAXR 17 +JR 14×17×17
NBXI 1730	108	17	30	35	30	10	17600	19000	25400	48700	NKXR 20 +IR 17×20×20	NKXR 20 +IR 17×20×20	NAXR 20 +JR 17×20×20
NBXI 2030	171	20	37	42	30	11	20000	22700	32100	60700	NKXR 25 +IR 20×25×20	NKXR 25 +IR 20×25×20	NAXR 25 +JR 20×25×20
NBXI 2530	194	25	42	47	30	11	25100	27400	40100	81000	NKXR 30 +IR 25×30×20	NKXR 30 +IR 25×30×20	NAXR 30 +JR 25×30×20
NBXI 3030	225	30	47	52	30	12	26900	29100	46200	91100	NKXR 35 +IR 30×35×20	NKXR 35 +IR 30×35×20	NAXR 35 +JR 30×35×20
NBXI 3532	286	35	52	60	32	13	29400	41700	54100	133000	NKXR 40 +IR 35×40×20	NKXR 40 +IR 35×40×20	NAXR 40X +JR 35×40×20
NBXI 4032	344	40	58	65	32	14	31000	40800	60200	133000	NKXR 45 +IR 40×45×20	NKXR 45 +IR 40×45×20	NAXR 45X +JR 40×45×20
NBXI 4535	386	45	62	70	35	14	42200	43300	83400	148000	NKXR 50 +IR 45×50×25	NKXR 50 +IR 45×50×25	NAXR 50X +JR 45×50×25
NBXI 5040	666	50	72	85	40	17	47500	64600	10300	224000	—	—	—

**NEEDLE ROLLER BEARINGS
WITH THRUST ROLLER BEARINGS**

Metric Dimension



DIMENSION TABLE

INTERCHANGE TABLE

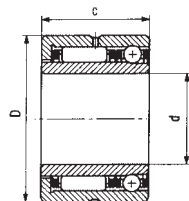
IKO NUMBER NBXI..Z	WEIGHT (g)	DIMENSIONS (mm)					BASIC DYNAMIC LOAD RATING (N)		BASIC STATIC LOAD RATING (N)		INA	SKF	FAG
		d	D	D2	L	H	RADIAL	AXIAL	RADIAL	AXIAL	NKXR..Z+IR	NKXR..Z+IR	NAXR..Z+JR
NBXI 1223 Z	63	12	24	29	23	9	12300	10200	14900	23900	NKXR 15 Z +IR 12×15×16	NKXR 15 Z +IR 12×15×16	NAXR 15 Z +JR 12×15×16
NBXI 1425 Z	72.5	14	26	31	25	9	12900	11400	16300	28600	NKXR 17 Z +IR 14×17×17	NKXR 17 Z +IR 14×17×17	NAXR 17 Z +JR 14×17×17
NBXI 1730 Z	111	17	30	36	30	10	17600	19000	25400	48700	NKXR 20 Z +IR 17×20×20	NKXR 20 Z +IR 17×20×20	NAXR 20 Z +JR 17×20×20
NBXI 2030 Z	175	20	37	43	30	11	20000	22700	32100	60700	NKXR 25 Z +IR 20×25×20	NKXR 25 Z +IR 20×25×20	NAXR 25 Z +JR 20×25×20
NBXI 2530 Z	200	25	42	48	30	11	25100	27400	40100	81000	NKXR 30 Z +IR 25×30×20	NKXR 30 Z +IR 25×30×20	NAXR 30 Z +JR 25×30×20
NBXI 3030 Z	232	30	47	53	30	12	26900	29100	46200	91100	NKXR 35 Z +IR 30×35×20	NKXR 35 Z +IR 30×35×20	NAXR 35 Z +JR 30×35×20
NBXI 3532 Z	294	35	52	61	32	13	29400	41700	54100	133000	NKXR 40 Z +IR 35×40×20	NKXR 40 Z +IR 35×40×20	NAXR 40X. Z +JR 35×40×20
NBXI 4032 Z	353	40	58	66.5	32	14	31000	40800	60200	133000	NKXR 45 Z +IR 40×45×20	NKXR 45 Z +IR 40×45×20	NAXR 45X. Z +JR 40×45×20
NBXI 4535 Z	396	45	62	71.5	35	14	42200	43300	83400	148000	NKXR 50 Z +IR 45×50×25	NKXR 50 Z +IR 45×50×25	NAXR 50X. Z +JR 45×50×25
NBXI 5040 Z	703	50	72	86.5	40	17	47500	64600	103000	224000	—	—	—

IKO

NATA

NEEDLE ROLLER BEARINGS WITH ANGULAR CONTACT THRUST BEARINGS

Metric Dimension



NATA

DIMENSION TABLE

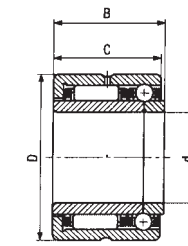
IKO NUMBER	WEIGHT	DIMENSIONS (mm)			BASIC DYNAMIC LOAD RATING (N)		BASIC STATIC LOAD RATING (N)		INTERCHANGE TABLE		
		d	D	C	RADIAL	AXIAL	RADIAL	AXIAL	INA	SKF	FAG
NATA	(g)								NKIA	NKIA	NKJA
NATA 5902	50.5	15	28	18	7710	1900	10200	2920	NKIA 5902	NKIA 5902	—
NATA 5903	55.5	17	30	18	8220	2050	11500	3340	NKIA 5903	NKIA 5903	NKJA 5903
NATA 5904	111	20	37	23	14300	3810	18400	6110	NKIA 5904	NKIA 5904	NKJA 5904
NATA 5905	131	25	42	23	15800	4300	22100	7520	NKIA 5905	NKIA 5905	—
NATA 5906	151	30	47	23	17700	4550	26800	8460	NKIA 5906	NKIA 5906	—
NATA 5907	250	35	55	27	24000	4890	42100	9870	NKIA 5907	NKIA 5907	NKJA 5907
NATA 5908	355	40	62	30	30600	5350	60400	11800	NKIA 5908	NKIA 5908	—
NATA 5909	410	45	68	30	32600	5450	68500	12700	NKIA 5909 X	NKIA 5909	—
NATA 5910	420	50	72	30	33600	5660	72500	13600	NKIA 5910 X	NKIA 5910	—
NATA 5911	585	55	80	34	39500	10400	74400	24700	NKIA 5911	NKIA 5911	—
NATA 5912	625	60	85	34	41800	10700	82200	26700	NKIA 5912	NKIA 5912	—
NATA 5913	665	65	90	34	43800	11000	90200	28700	NKIA 5913 X	NKIA 5913	—
NATA 5914	1070	70	100	40	56400	13500	127000	35000	NKIA 5914	NKIA 5914	—

IKO

NATB

NEEDLE ROLLER BEARINGS WITH 3-POINT CONTACT BALL BEARINGS

Metric Dimension



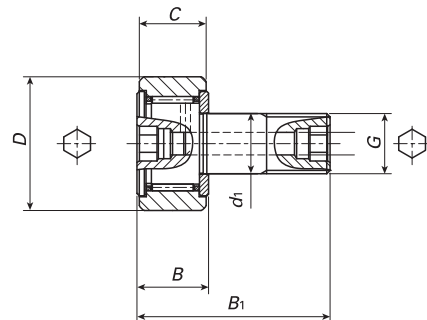
NATB

DIMENSION TABLE

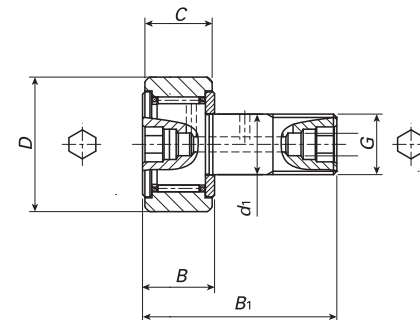
IKO NUMBER	WEIGHT	DIMENSIONS (mm)				BASIC DYNAMIC LOAD RATING (N)		BASIC STATIC LOAD RATING (N)		INTERCHANGE TABLE		
		d	D	C	B	RADIAL	AXIAL	RADIAL	AXIAL	INA	SKF	FAG
NATB	(g)									NKIB	NKIB	NKJB
NATB 5902	53	15	28	18	20	7710	1900	10200	2920	NKIB 5902	NKIB 5902	—
NATB 5903	58.5	17	30	18	20	8220	2050	11500	3340	NKIB 5903	NKIB 5903	NKJB 5903
NATB 5904	115	20	37	23	25	14300	3810	18400	6110	NKIB 5904	NKIB 5904	NKJB 5904
NATB 5905	136	25	42	23	25	15800	4300	22100	7520	NKIB 5905	NKIB 5905	—
NATB 5906	157	30	47	23	25	17700	4550	26800	8460	NKIB 5906	NKIB 5906	—
NATB 5907	260	35	55	27	30	24000	4890	42100	9870	NKIB 5907	NKIB 5907	NKJB 5907
NATB 5908	375	40	62	30	34	30600	5350	60400	11800	NKIB 5908	NKIB 5908	—
NATB 5909	435	45	68	30	34	32600	5450	68500	12700	NKIB 5909 X	NKIB 5909	—
NATB 5910	445	50	72	30	34	33600	5660	72500	13600	NKIB 5910 X	NKIB 5910	—
NATB 5911	615	55	80	34	38	39500	10400	74400	24700	NKIB 5911	NKIB 5911	—
NATB 5912	660	60	85	34	38	41800	10700	82200	26700	NKIB 5912	NKIB 5912	—
NATB 5913	710	65	90	34	38	43800	11000	90200	28700	NKIB 5913 X	NKIB 5913	—
NATB 5914	1130	70	100	40	45	56400	13500	127000	35000	NKIB 5914	NKIB 5914	—

CAM FOLLOWERS

Metric Dimension



Outside diameter of outer ring D 22, 26mm



Outside diameter of outer ring D 30 to 90mm

DIMENSION TABLE

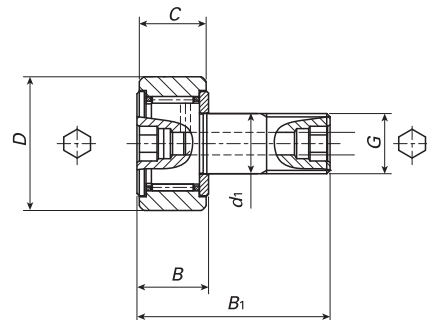
IKO NUMBER SHIELD TYPE		WEIGHT (g)	DIMENSIONS (mm)						BASIC DYNAMIC LOAD RATING (N)	BASIC STATIC LOAD RATING (N)
IKO NUMBER CYLINDRICAL OUTER RING CFKR	IKO NUMBER CROWNED OUTER RING CFKR..R		d1	D	G	C	MAX. B	MAX. B1		
CFKR 22	CFKR 22 R	43	10	22	M10×1.0	12	13.2	36.2	5430	6890
CFKR 26	CFKR 26 R	58	10	26	M10×1.0	12	13.2	36.2	5430	6890
CFKR 30	CFKR 30 R	94	12	30	M12×1.5	14	15.2	40.2	7910	9790
CFKR 32	CFKR 32 R	104	12	32	M12×1.5	14	15.2	40.2	7910	9790
CFKR 35	CFKR 35 R	165	16	35	M16×1.5	18	19.6	52.1	12000	18300
CFKR 40	CFKR 40 R	248	18	40	M18×1.5	20	21.6	58.1	14800	25200
CFKR 47	CFKR 47 R	378	20	47	M20×1.5	24	25.6	66.1	20700	34600
CFKR 52	CFKR 52 R	453	20	52	M20×1.5	24	25.6	66.1	20700	34600
CFKR 62	CFKR 62 R	795	24	62	M24×1.5	29	30.6	80.1	30500	52600
CFKR 72	CFKR 72 R	1120	24	72	M24×1.5	29	30.6	80.1	30500	52600
CFKR 80	CFKR 80 R	1860	30	80	M30×1.5	35	37	100	45400	85100
CFKR 85	CFKR 85 R	2020	30	85	M30×1.5	35	37	100	45400	85100
CFKR 90	CFKR 90 R	2210	30	90	M30×1.5	35	37	100	45400	85100

INTERCHANGE TABLE

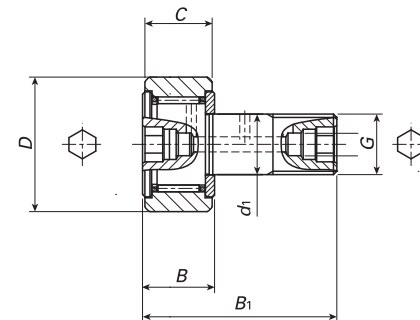
INA		JNS / THK	
CYLINDRICAL OUTER RING KR...X	CROWNED OUTER RING KR	CYLINDRICAL OUTER RING CF...AB	CROWNED OUTER RING CF...R-AB
KR 22 X	KR 22	—	—
KR 26 X	KR 26	—	—
KR 30 X	KR 30	CF 12-AB	CF 12 R-AB
KR 32 X	KR 32	CF 12-1-AB	CF 12 R-1-AB
KR 35 X	KR 35	CF 16-AB	CF 16 R-AB
KR 40 X	KR 40	CF 18-AB	CF 18 R-AB
KR 47 X	KR 47	CF 20-1-AB	CF 20-1 R-AB
KR 52 X	KR 52	CF 20-AB	CF 20 R-AB
KR 62 X	KR 62	CF 24-AB	CF 24 R-AB
KR 72 X	KR 72	CF 24-1-AB	CF 24-1 R-AB
KR 80 X	KR 80	CF 30-AB	CF 30 R-AB
KR 85 X	KR 85	CF 30-1-AB	CF 30-1 R-AB
KR 90 X	KR 90	CF 30-2-AB	CF 30-2 R-AB

CAM FOLLOWERS

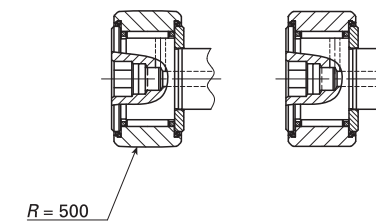
Metric Dimension



Outside diameter of outer ring D 22, 26mm



Outside diameter of outer ring D 30 to 90mm



CFKR...UUR

CFKR...UU

DIMENSION TABLE

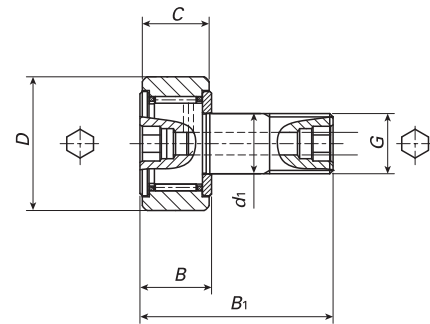
IKO NUMBER SEALED TYPE		WEIGHT (g)	DIMENSIONS (mm)						BASIC DYNAMIC LOAD RATING (N)	BASIC STATIC LOAD RATING (N)
IKO NUMBER CYLINDRICAL OUTER RING CFKR...UU	IKO NUMBER CROWNED OUTER RING CFKR...UUR		d1	D	G	C	MAX. B	MAX. B1		
CFKR 22 UU	CFKR 22 UUR	43	10	22	M10×1.0	12	13.2	36.2	5430	6890
CFKR 26 UU	CFKR 26 UUR	58	10	26	M10×1.0	12	13.2	36.2	5430	6890
CFKR 30 UU	CFKR 30 UUR	94	12	30	M12×1.5	14	15.2	40.2	7910	9790
CFKR 32 UU	CFKR 32 UUR	104	12	32	M12×1.5	14	15.2	40.2	7910	9790
CFKR 35 UU	CFKR 35 UUR	165	16	35	M16×1.5	18	19.6	52.1	12000	18300
CFKR 40 UU	CFKR 40 UUR	248	18	40	M18×1.5	20	21.6	58.1	14800	25200
CFKR 47 UU	CFKR 47 UUR	378	20	47	M20×1.5	24	25.6	66.1	20700	34600
CFKR 52 UU	CFKR 52 UUR	453	20	52	M20×1.5	24	25.6	66.1	20700	34600
CFKR 62 UU	CFKR 62 UUR	795	24	62	M24×1.5	29	30.6	80.1	30500	52600
CFKR 72 UU	CFKR 72 UUR	1120	24	72	M24×1.5	29	30.6	80.1	30500	52600
CFKR 80 UU	CFKR 80 UUR	1860	30	80	M30×1.5	35	37	100	45400	85100
CFKR 85 UU	CFKR 85 UUR	2020	30	85	M30×1.5	35	37	100	45400	85100
CFKR 90 UU	CFKR 90 UUR	2210	30	90	M30×1.5	35	37	100	45400	85100

INTERCHANGE TABLE

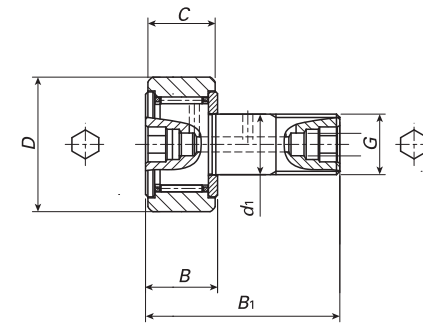
INA		JNS / THK	
CYLINDRICAL OUTER RING KR...PPX	CROWNED OUTER RING KR...PP	CYLINDRICAL OUTER RING CF...UUAB	CROWNED OUTER RING CF...UUR-AB
KR 22 PPX	KR 22 PP	—	—
KR 26 PPX	KR 26 PP	—	—
KR 30 PPX	KR 30 PP	CF 12 UU-AB	CF 12 UUR-AB
KR 32 PPX	KR 32 PP	CF 12-1UU-AB	CF 12-1 UUR-AB
KR 35 PPX	KR 35 PP	CF 16 UU-AB	CF 16 UUR-AB
KR 40 PPX	KR 40 PP	CF 18 UU-AB	CF 18 UUR-AB
KR 47 PPX	KR 47 PP	CF 20-1 UU-AB	CF 20-1 UUR-AB
KR 52 PPX	KR 52 PP	CF 20 UU-AB	CF 20 UUR-AB
KR 62 PPX	KR 62 PP	CF 24 UU-AB	CF 24 UUR-AB
KR 72 PPX	KR 72 PP	CF 24-1 UU-AB	CF 24-1 UUR-AB
KR 80 PPX	KR 80 PP	CF 30 UU-AB	CF 30 UUR-AB
KR 85 PPX	KR 85 PP	CF 30-1 UU-AB	CF 30-1 UUR-AB
KR 90 PPX	KR 90 PP	CF 30-2 UU-AB	CF 30-2 UUR-AB

CAM FOLLOWERS

Metric Dimension



Outside diameter of outer ring D 22, 26mm



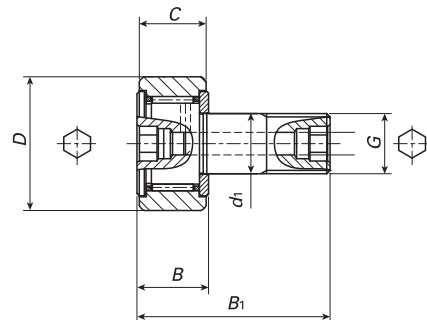
Outside diameter of outer ring D 30 to 90mm

DIMENSION TABLE

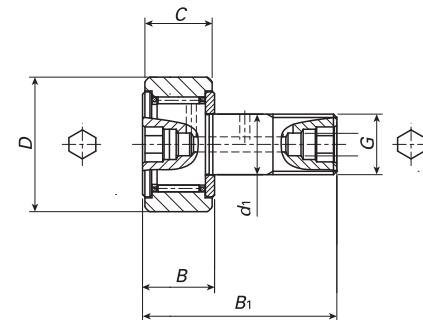
IKO NUMBER SHIELD TYPE		WEIGHT (g)	DIMENSIONS (mm)						BASIC DYNAMIC LOAD RATING (N)	BASIC STATIC LOAD RATING (N)	INTERCHANGE TABLE			
IKO NUMBER CYLINDRICAL OUTER RING CFKR..V	IKO NUMBER CROWNED OUTER RING CFKR..VR		d1	D	G	C	MAX. B	MAX. B1			INA CYLINDRICAL OUTER RING KRV...X	INA CROWNED OUTER RING KRV	JNS / THK CYLINDRICAL OUTER RING CF...VAB	JNS / THK CROWNED OUTER RING CF...VRAB
CFKR 22 V	CFKR 22 VR	44	10	22	M10×1.0	12	13.2	36.2	9570	14500	KRV 22 X	KRV 22	—	—
CFKR 26 V	CFKR 26 VR	59	10	26	M10×1.0	12	13.2	36.2	9570	14500	KRV 26 X	KRV 26	—	—
CFKR 30 V	CFKR 30 VR	96	12	30	M12×1.5	14	15.2	40.2	13500	19700	KRV 30 X	KRV 30	CF 12 V-AB	CF 12 VR-AB
CFKR 32 V	CFKR 32 VR	106	12	32	M12×1.5	14	15.2	40.2	13500	19700	KRV 32 X	KRV 32	CF 12-1 V-AB	CF 12 VR-1-AB
CFKR 35 V	CFKR 35 VR	168	16	35	M16×1.5	18	19.6	52.1	20700	37600	KRV 35 X	KRV 35	CF 16 V-AB	CF 16 VR-AB
CFKR 40 V	CFKR 40 VR	253	18	40	M18×1.5	20	21.6	58.1	25300	51300	KRV 40 X	KRV 40	CF 18 V-AB	CF 18 VR-AB
CFKR 47 V	CFKR 47 VR	383	20	47	M20×1.5	24	25.6	66.1	33200	64500	KRV 47 X	KRV 47	CF 20-1 V-AB	CF 20-1 VR-AB
CFKR 52 V	CFKR 52 VR	458	20	52	M20×1.5	24	25.6	66.1	33200	64500	KRV 52 X	KRV 52	CF 20 V-AB	CF 20 VR-AB
CFKR 62 V	CFKR 62 VR	800	24	62	M24×1.5	29	30.6	80.1	46600	92000	KRV 62 X	KRV 62	CF 24 V-AB	CF 24 VR-AB
CFKR 72 V	CFKR 72 VR	1120	24	72	M24×1.5	29	30.6	80.1	46600	92000	KRV 72 X	KRV 72	CF 24-1 V-AB	CF 24-1 VR-AB
CFKR 80 V	CFKR 80 VR	1860	30	80	M30×1.5	35	37	100	67700	144000	KRV 80 X	KRV 80	CF 30 V-AB	CF 30 VR-AB
CFKR 85 V	CFKR 85 VR	2020	30	85	M30×1.5	35	37	100	67700	144000	KRV 85 X	KRV 85	CF 30-1 V-AB	CF 30-1 VR-AB
CFKR 90 V	CFKR 90 VR	2210	30	90	M30×1.5	35	37	100	67700	144000	KRV 90 X	KRV 90	CF 30-2 V-AB	CF 30-2 VR-AB

CAM FOLLOWERS

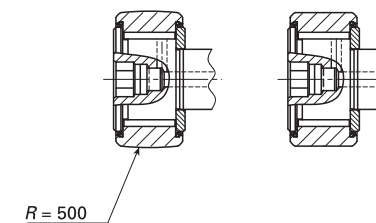
Metric Dimension



Outside diameter of outer ring D 22, 26mm



Outside diameter of outer ring D 30 to 90mm



CFKR...VUUR

CFKR...VUU

DIMENSION TABLE

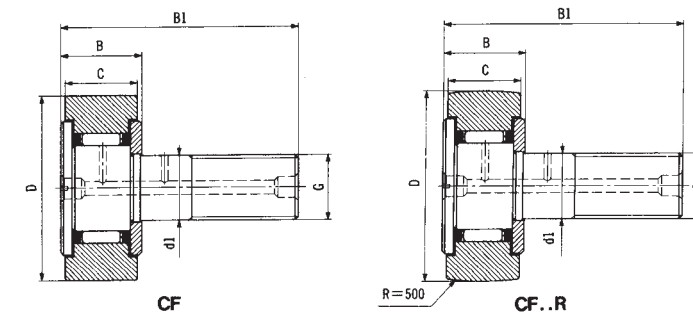
IKO NUMBER SEALED TYPE		WEIGHT (g)	DIMENSIONS (mm)						BASIC DYNAMIC LOAD RATING (N)	BASIC STATIC LOAD RATING (N)
IKO NUMBER CYLINDRICAL OUTER RING CFKR..VUU	IKO NUMBER CROWNED OUTER RING CFKR..VUUR		d1	D	G	C	MAX. B	MAX. B1		
CFKR 22 VUU	CFKR 22 VUUR	44	10	22	M10×1.0	12	13.2	36.2	9570	14500
CFKR 26 VUU	CFKR 26 VUUR	59	10	26	M10×1.0	12	13.2	36.2	9570	14500
CFKR 30 VUU	CFKR 30 VUUR	96	12	30	M12×1.5	14	15.2	40.2	13500	19700
CFKR 32 VUU	CFKR 32 VUUR	106	12	32	M12×1.5	14	15.2	40.2	13500	19700
CFKR 35 VUU	CFKR 35 VUUR	168	16	35	M16×1.5	18	19.6	52.1	20700	37600
CFKR 40 VUU	CFKR 40 VUUR	253	18	40	M18×1.5	20	21.6	58.1	25300	51300
CFKR 47 VUU	CFKR 47 VUUR	383	20	47	M20×1.5	24	25.6	66.1	33200	64500
CFKR 52 VUU	CFKR 52 VUUR	458	20	52	M20×1.5	24	25.6	66.1	33200	64500
CFKR 62 VUU	CFKR 62 VUUR	800	24	62	M24×1.5	29	30.6	80.1	46600	92000
CFKR 72 VUU	CFKR 72 VUUR	1120	24	72	M24×1.5	29	30.6	80.1	46600	92000
CFKR 80 VUU	CFKR 80 VUUR	1860	30	80	M30×1.5	35	37	100	67700	144000
CFKR 85 VUU	CFKR 85 VUUR	2020	30	85	M30×1.5	35	37	100	67700	144000
CFKR 90 VUU	CFKR 90 VUUR	2210	30	90	M30×1.5	35	37	100	67700	144000

INTERCHANGE TABLE

INA		JNS / THK	
CYLINDRICAL OUTER RING KRV...PPX	CROWNED OUTER RING KRV...PP	CYLINDRICAL OUTER RING CF...VUUAB	CROWNED OUTER RING CF...VUUR-AB
KRV 22 PPX	KRV 22 PP	—	—
KRV 26 PPX	KRV 26 PP	—	—
KRV 30 PPX	KRV 30 PP	CF 12 VUU-AB	CF 12 VUUR-AB
KRV 32 PPX	KRV 32 PP	CF 12-1VUU-AB	CF 12-1 VUUR-AB
KRV 35 PPX	KRV 35 PP	CF 16 VUU-AB	CF 16 VUUR-AB
KRV 40 PPX	KRV 40 PP	CF 18 VUU-AB	CF 18 VUUR-AB
KRV 47 PPX	KRV 47 PP	CF 20-1 VUU-AB	CF 20-1 VUUR-AB
KRV 52 PPX	KRV 52 PP	CF 20 VUU-AB	CF 20 VUUR-AB
KRV 62 PPX	KRV 62 PP	CF 24 VUU-AB	CF 24 VUUR-AB
KRV 72 PPX	KRV 72 PP	CF 24-1 VUU-AB	CF 24-1 VUUR-AB
KRV 80 PPX	KRV 80 PP	CF 30 VUU-AB	CF 30 VUUR-AB
KRV 85 PPX	KRV 85 PP	CF 30-1 VUU-AB	CF 30-1 VUUR-AB
KRV 90 PPX	KRV 90 PP	CF 30-2 VUU-AB	CF 30-2 VUUR-AB

CAM FOLLOWERS

Metric Dimension



DIMENSION TABLE

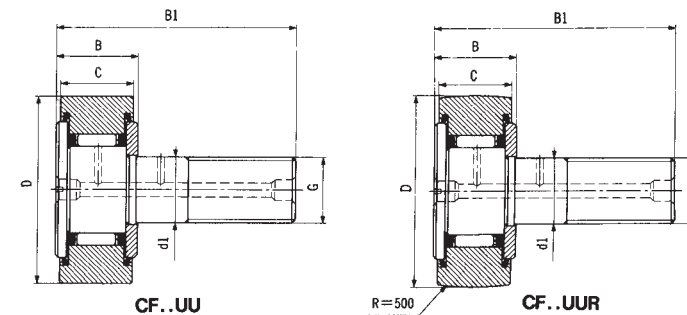
INTERCHANGE TABLE

IKO NUMBER CYLINDRICAL OUTER RING CF	IKO NUMBER CROWNED OUTER RING CF.R	WEIGHT (g)	DIMENSIONS (mm)						BASIC DYNAMIC LOAD RATING (N)	BASIC STATIC LOAD RATING (N)	INA				SKF		FAG		MCGILL	
			d1	D	G	C	MAX. B	MAX. B1			CYLINDRICAL OUTER RING KR.X	CROWNED OUTER RING KR	CYLINDRICAL OUTER RING KR.X	CROWNED OUTER RING KR	CYLINDRICAL OUTER RING KR..DZ	CROWNED OUTER RING KR	CYLINDRICAL OUTER RING MCFR.X	CROWNED OUTER RING MCFR		
CF 3	—	4.3	3	10	M3×0.5	7	8	17	1500	1020	—	—	—	—	—	—	—	—	MCFR-10-X	MCFR-10
CF 4	—	7.4	4	12	M4×0.7	8	9	20	2070	1590	—	—	—	—	—	—	—	—	MCFR-12-X	MCFR-12
CF 5	—	10.3	5	13	M5×0.8	9	10	23	2520	2140	—	—	—	—	—	—	—	—	MCFR-13-X	MCFR-13
CF 6	CF 6 R	18.5	6	16	M6×1	11	12.2	28.2	3660	3650	KR 16 X	KR 16	KR 16 X	KR 16	KR 16 DZ	KR 16	—	—	MCFR-16-X	MCFR-16
CF 8	CF 8 R	28.5	8	19	M8×1.25	11	12.2	32.2	4250	4740	KR 19 X	KR 19	KR 19 X	KR 19	KR 19 DZ	KR 19	—	—	MCFR-19-X	MCFR-19
CF 10	CF 10 R	45	10	22	M10×1.25	12	13.2	36.2	5430	6890	—	—	—	—	—	—	—	—	MCFR-22A-X	MCFR-22A
CF 10 M	CF 10 RM	45	10	22	M10×1	12	13.2	36.2	5430	6890	KR 22 X	KR 22	KR 22 X	KR 22	KR 22 DZ	KR 22	—	—	MCFR-22-X	MCFR-22
CF 10-1	CF 10-1 R	60	10	26	M10×1.25	12	13.2	36.2	5430	6890	—	—	—	—	—	—	—	—	MCFR-26A-X	MCFR-26A
CF 10-1 M	CF 10-1 RM	60	10	26	M10×1	12	13.2	36.2	5430	6890	KR 26 X	KR 26	KR 26 X	KR 26	KR 26 DZ	KR 26	—	—	MCFR-26-X	MCFR-26
CF 12	CF 12 R	95	12	30	M12×1.5	14	15.2	40.2	7910	9790	KR 30 X	KR 30	KR 30 X	KR 30	KR 30 DZ	KR 30	—	—	MCFR-30-X	MCFR-30
CF 12-1	CF 12-1 R	105	12	32	M12×1.5	14	15.2	40.2	7910	9790	KR 32 X	KR 32	KR 32 X	KR 32	KR 32 DZ	KR 32	—	—	MCFR-32-X	MCFR-32
CF 16	CF 16 R	170	16	35	M16×1.5	18	19.6	52.1	12000	18300	KR 35 X	KR 35	KR 35 X	KR 35	—	—	—	—	MCFR-35-X	MCFR-35
CF 18	CF 18 R	250	18	40	M18×1.5	20	21.6	58.1	14800	25200	KR 40 X	KR 40	KR 40 X	KR 40	—	—	—	—	MCFR-40-X	MCFR-40
CF 20	CF 20 R	460	20	52	M20×1.5	24	25.6	66.1	20700	34600	KR 52 X	KR 52	KR 52 X	KR 52	—	—	—	—	MCFR-52-X	MCFR-52
CF 20-1	CF 20-1 R	385	20	47	M20×1.5	24	25.6	66.1	20700	34600	KR 47 X	KR 47	KR 47 X	KR 47	—	—	—	—	MCFR-47-X	MCFR-47
CF 24	CF 24 R	815	24	62	M24×1.5	29	30.6	80.1	30500	52600	—	—	—	—	—	—	—	—	MCFR-62-X	MCFR-62
CF 24-1	CF 24-1 R	1140	24	72	M24×1.5	29	30.6	80.1	30500	52600	—	—	—	—	—	—	—	—	MCFR-72-X	MCFR-72
CF 30	CF 30 R	1870	30	80	M30×1.5	35	37	100	45400	85100	—	—	—	—	—	—	—	—	MCFR-80-X	MCFR-80
CF 30-1	CF 30-1 R	2030	30	85	M30×1.5	35	37	100	45400	85100	—	—	—	—	—	—	—	—	MCFR-85-X	MCFR-85
CF 30-2	CF 30-2 R	2220	30	90	M30×1.5	35	37	100	45400	85100	—	—	—	—	—	—	—	—	MCFR-90-X	MCFR-90

Remarks : Stud dia. 3 and 4mm : No oil holes
 Stud dia. 5 to 10mm : No oil holes in the threaded end

CAM FOLLOWERS

Metric Dimension



DIMENSION TABLE

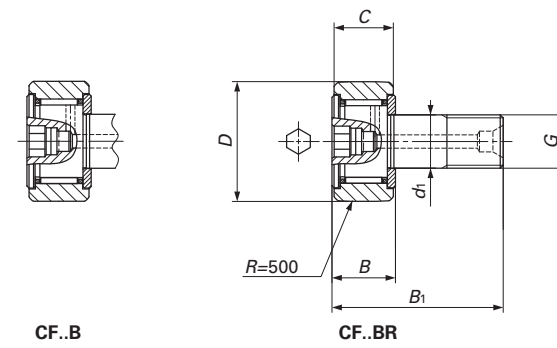
INTERCHANGE TABLE

IKO NUMBER CYLINDRICAL OUTER RING CF..UU	IKO NUMBER CROWNED OUTER RING CF..UUR	WEIGHT (g)	DIMENSIONS (mm)						BASIC DYNAMIC LOAD RATING (N)	BASIC STATIC LOAD RATING (N)	INA				SKF		FAG		MCGILL	
			d1	D	G	C	MAX. B	MAX. B1			CYLINDRICAL OUTER RING KR..PPX	CROWNED OUTER RING KR..PP	CYLINDRICAL OUTER RING KR..PPX	CROWNED OUTER RING KR..PP	CYLINDRICAL OUTER RING KR..2RSDZ	CROWNED OUTER RING KR..2RS	CYLINDRICAL OUTER RING MCFR..SX	CROWNED OUTER RING MCFR..S		
CF 3 UU	—	4.3	3	10	M3×0.5	7	8	17	1500	1020	—	—	—	—	—	—	—	—	MCFR-10-SX	MCFR-10-S
CF 4 UU	—	7.4	4	12	M4×0.7	8	9	20	2070	1590	—	—	—	—	—	—	—	—	MCFR-12-SX	MCFR-12-S
CF 5 UU	—	10.3	5	13	M5×0.8	9	10	23	2520	2140	—	—	—	—	—	—	—	—	MCFR-13-SX	MCFR-13-S
CF 6 UU	CF 6 UUR	18.5	6	16	M6×1	11	12.2	28.2	3660	3650	KR 16 PPX	KR 16 PP	KR 16 PPX	KR 16 PP	KR 16.2RSDZ	KR 16.2RS	—	—	MCFR-16-SX	MCFR-16-S
CF 8 UU	CF 8 UUR	28.5	8	19	M8×1.25	11	12.2	32.2	4250	4740	KR 19 PPX	KR 19 PP	KR 19 PPX	KR 19 PP	KR 19.2RSDZ	KR 19.2RS	—	—	MCFR-19-SX	MCFR-19-S
CF 10 UU	CF 10 UUR	45	10	22	M10×1.25	12	13.2	36.2	5430	6890	—	—	—	—	—	—	—	—	MCFR-22A-SX	MCFR-22A-S
CF 10 UUM	CF 10 UURM	45	10	22	M10×1	12	13.2	36.2	5430	6890	KR 22 PPX	KR 22 PP	KR 22 PPX	KR 22 PP	KR 22.2RSDZ	KR 22.2RS	—	—	MCFR-22-SX	MCFR-22-S
CF 10-1 UU	CF 10-1 UUR	60	10	26	M10×1.25	12	13.2	36.2	5430	6890	—	—	—	—	—	—	—	—	MCFR-26A-SX	MCFR-26A-S
CF 10-1 UUM	CF 10-1 UURM	60	10	26	M10×1	12	13.2	36.2	5430	6890	KR 26 PPX	KR 26 PP	KR 26 PPX	KR 26 PP	KR 26.2RSDZ	KR 26.2RS	—	—	MCFR-26-SX	MCFR-26-S
CF 12 UU	CF 12 UUR	95	12	30	M12×1.5	14	15.2	40.2	7910	9790	KR 30 PPX	KR 30 PP	KR 30 PPX	KR 30 PP	KR 30.2RSDZ	KR 30.2RS	—	—	MCFR-30-SX	MCFR-30-S
CF 12-1 UU	CF 12-1 UUR	105	12	32	M12×1.5	14	15.2	40.2	7910	9790	KR 32 PPX	KR 32 PP	KR 32 PPX	KR 32 PP	KR 32.2RSDZ	KR 32.2RS	—	—	MCFR-32-SX	MCFR-32-S
CF 16 UU	CF 16 UUR	170	16	35	M16×1.5	18	19.6	52.1	12000	18300	KR 35 PPX	KR 35 PP	KR 35 PPX	KR 35 PP	—	—	—	—	MCFR-35-SX	MCFR-35-S
CF 18 UU	CF 18 UUR	250	18	40	M18×1.5	20	21.6	58.1	14800	25200	KR 40 PPX	KR 40 PP	KR 40 PPX	KR 40 PP	—	—	—	—	MCFR-40-SX	MCFR-40-S
CF 20 UU	CF 20 UUR	460	20	52	M20×1.5	24	25.6	66.1	20700	34600	KR 52 PPX	KR 52 PP	KR 52 PPX	KR 52 PP	—	—	—	—	MCFR-52-SX	MCFR-52-S
CF 20-1 UU	CF 20-1 UUR	385	20	47	M20×1.5	24	25.6	66.1	20700	34600	KR 47 PPX	KR 47 PP	KR 47 PPX	KR 47 PP	—	—	—	—	MCFR-47-SX	MCFR-47-S
CF 24 UU	CF 24 UUR	815	24	62	M24×1.5	29	30.6	80.1	30500	52600	—	—	—	—	—	—	—	—	MCFR-62-SX	MCFR-62-S
CF 24-1 UU	CF 24-1 UUR	1140	24	72	M24×1.5	29	30.6	80.1	30500	52600	—	—	—	—	—	—	—	—	MCFR-72-SX	MCFR-72-S
CF 30 UU	CF 30 UUR	1870	30	80	M30×1.5	35	37	100	45400	85100	—	—	—	—	—	—	—	—	MCFR-80-SX	MCFR-80-S
CF 30-1 UU	CF 30-1 UUR	2030	30	85	M30×1.5	35	37	100	45400	85100	—	—	—	—	—	—	—	—	MCFR-85-SX	MCFR-85-S
CF 30-2 UU	CF 30-2 UUR	2220	30	90	M30×1.5	35	37	100	45400	85100	—	—	—	—	—	—	—	—	MCFR-90-SX	MCFR-90-S

Remarks : Stud dia. 3 and 4mm : No oil holes
 Stud dia. 5 to 10mm : No oil holes in the threaded end

CAM FOLLOWERS

Metric Dimension

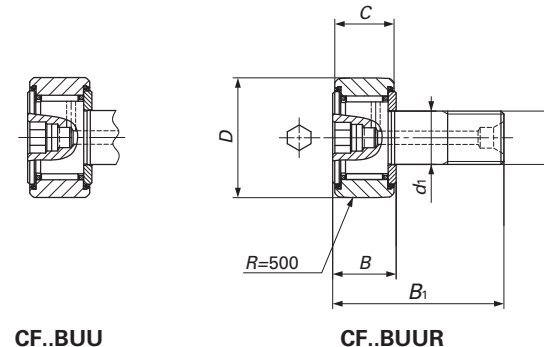


DIMENSION TABLE

INTERCHANGE TABLE

IKO NUMBER CYLINDRICAL OUTER RING CF..B	IKO NUMBER CROWNED OUTER RING CF..BR	WEIGHT (g)	DIMENSIONS (mm)						BASIC DYNAMIC LOAD RATING (N)	BASIC STATIC LOAD RATING (N)	INA		SKF		MCGILL	
			d1	D	G	C	MAX. B	MAX. B1			CYLINDRICAL OUTER RING KR..XSK	CROWNED OUTER RING KR..SK	CYLINDRICAL OUTER RING KR..XSK	CROWNED OUTER RING KR..SK	CYLINDRICAL OUTER RING MCFR..BX	CROWNED OUTER RING MCFR..B
CF 3 B	CF 3 BR	4.3	3	10	M3×0.5	7	8	17	1500	1020	—	—	—	—	—	—
CF 4 B	CF 4 BR	7.4	4	12	M4×0.7	8	9	20	2070	1590	—	—	—	—	—	—
CF 5 B	CF 5 BR	10.3	5	13	M5×0.8	9	10	23	2520	2140	—	—	—	—	MCFR-13-BX	MCFR-13-B
CF 6 B	CF 6 BR	18.5	6	16	M6×1	11	12.2	28.2	3660	3650	KR 16 XSK	KR 16 SK	KR 16 XSK	KR 16 SK	MCFR-16-BX	MCFR-16-B
CF 8 B	CF 8 BR	28.5	8	19	M8×1.25	11	12.2	32.2	4250	4740	KR 19 XSK	KR 19 SK	KR 19 XSK	KR 19 SK	MCFR-19-BX	MCFR-19-B
CF 10 B	CF 10 BR	45	10	22	M10×1.25	12	13.2	36.2	5430	6890	—	—	—	—	MCFR-22A-BX	MCFR-22A-B
CF 10 BM	CF 10 BRM	45	10	22	M10×1	12	13.2	36.2	5430	6890	KR 22 XSK	KR 22 SK	KR 22 XSK	KR 22 SK	MCFR-22-BX	MCFR-22-B
CF 10-1 B	CF 10-1 BR	60	10	26	M10×1.25	12	13.2	36.2	5430	6890	—	—	—	—	MCFR-26A-BX	MCFR-26A-B
CF 10-1 BM	CF 10-1 BRM	60	10	26	M10×1	12	13.2	36.2	5430	6890	KR 26 XSK	KR 26 SK	KR 26 XSK	KR 26 SK	MCFR-26-BX	MCFR-26-B
CF 12 B	CF 12 BR	95	12	30	M12×1.5	14	15.2	40.2	7910	9790	KR 30 XSK	KR 30 SK	KR 30 XSK	KR 30 SK	MCFR-30-BX	MCFR-30-B
CF 12-1 B	CF 12-1 BR	105	12	32	M12×1.5	14	15.2	40.2	7910	9790	KR 32 XSK	KR 32 SK	KR 32 XSK	KR 32 SK	MCFR-32-BX	MCFR-32-B
CF 16 B	CF 16 BR	170	16	35	M16×1.5	18	19.6	52.1	12000	18300	KR 35 XSK	KR 35 SK	KR 35 XSK	KR 35 SK	MCFR-35-BX	MCFR-35-B
CF 18 B	CF 18 BR	250	18	40	M18×1.5	20	21.6	58.1	14800	25200	KR 40 XSK	KR 40 SK	KR 40 XSK	KR 40 SK	MCFR-40-BX	MCFR-40-B
CF 20 B	CF 20 BR	460	20	52	M20×1.5	24	25.6	66.1	20700	34600	KR 52 XSK	KR 52 SK	KR 52 XSK	KR 52 SK	MCFR-52-BX	MCFR-52-B
CF 20-1 B	CF 20-1 BR	385	20	47	M20×1.5	24	25.6	66.1	20700	34600	KR 47 XSK	KR 47 SK	KR 47 XSK	KR 47 SK	MCFR-47-BX	MCFR-47-B
CF 24 B	CF 24 BR	815	24	62	M24×1.5	29	30.6	80.1	30500	52600	KR 62 X	KR 62	KR 62 X	KR 62	MCFR-62-BX	MCFR-62-B
CF 24-1 B	CF 24-1 BR	1140	24	72	M24×1.5	29	30.6	80.1	30500	52600	KR 72 X	KR 72	KR 72 X	KR 72	MCFR-72-BX	MCFR-72-B
CF 30 B	CF 30 BR	1870	30	80	M30×1.5	35	37	100	45400	85100	KR 80 X	KR 80	KR 80 X	KR 80	MCFR-80-BX	MCFR-80-B
CF 30-1 B	CF 30-1 BR	2030	30	85	M30×1.5	35	37	100	45400	85100	KR 85 X	KR 85	KR 85 X	KR 85	MCFR-85-BX	MCFR-85-B
CF 30-2 B	CF 30-2 BR	2220	30	90	M30×1.5	35	37	100	45400	85100	KR 90 X	KR 90	KR 90 X	KR 90	MCFR-90-BX	MCFR-90-B

Remarks : Stud dia. 6 to 10mm : No oil holes



DIMENSION TABLE

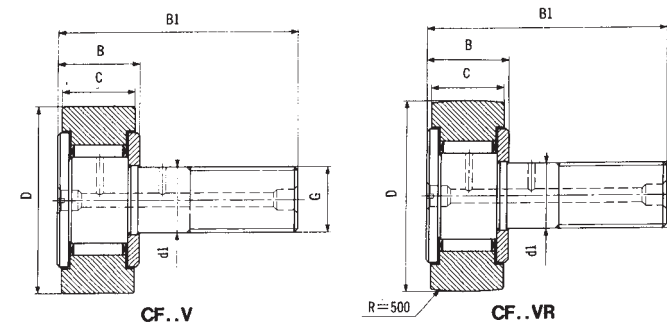
INTERCHANGE TABLE

IKO NUMBER CYLINDRICAL OUTER RING CF..BUU	IKO NUMBER CROWNED OUTER RING CF..BUUR	WEIGHT (g)	DIMENSIONS (mm)						BASIC DYNAMIC LOAD RATING (N)	BASIC STATIC LOAD RATING (N)	INTERCHANGE TABLE					
			d1	D	G	C	MAX. B	MAX. B1			INA CYLINDRICAL OUTER RING KR..PPXSK	INA CROWNED OUTER RING KR..PPSK	SKF CYLINDRICAL OUTER RING KR..PPXSK	SKF CROWNED OUTER RING KR..PPSK	MCGILL CYLINDRICAL OUTER RING MCFR..SBX	MCGILL CROWNED OUTER RING MCFR..SB
CF 3 BUU	CF 3 BUUR	4.3	3	10	M3×0.5	7	8	17	1500	1020	—	—	—	—	—	—
CF 4 BUU	CF 4 BUUR	7.4	4	12	M4×0.7	8	9	20	2070	1590	—	—	—	—	—	—
CF 5 BUU	CF 5 BUUR	10.3	5	13	M5×0.8	9	10	23	2520	2140	—	—	—	—	MCFR-13-SBX	MCFR-13-SB
CF 6 BUU	CF 6 BUUR	18.5	6	16	M6×1	11	12.2	28.2	3660	3650	KR 16 PPXSK	KR 16 PPSK	KR 16 PPXSK	KR 16 PPSK	MCFR-16-SBX	MCFR-16-SB
CF 8 BUU	CF 8 BUUR	28.5	8	19	M8×1.25	11	12.2	32.2	4250	4740	KR 19 PPXSK	KR 19 PPSK	KR 19 PPXSK	KR 19 PPSK	MCFR-19-SBX	MCFR-19-SB
CF 10 BUU	CF 10 BUUR	45	10	22	M10×1.25	12	13.2	36.2	5430	6890	—	—	—	—	MCFR-22A-SBX	MCFR-22A-SB
CF 10 BUUM	CF 10 BUURM	45	10	22	M10×1	12	13.2	36.2	5430	6890	KR 22 PPXSK	KR 22 PPSK	KR 22 PPXSK	KR 22 PPSK	MCFR-22-SBX	MCFR-22-SB
CF 10-1 BUU	CF 10-1 BUUR	60	10	26	M10×1.25	12	13.2	36.2	5430	6890	—	—	—	—	MCFR-26A-SBX	MCFR-26A-SB
CF 10-1 BUUM	CF 10-1 BUURM	60	10	26	M10×1	12	13.2	36.2	5430	6890	KR 26 PPXSK	KR 26 PPSK	KR 26 PPXSK	KR 26 PPSK	MCFR-26-SBX	MCFR-26-SB
CF 12 BUU	CF 12 BUUR	95	12	30	M12×1.5	14	15.2	40.2	7910	9790	KR 30 PPXSK	KR 30 PPSK	KR 30 PPXSK	KR 30 PPSK	MCFR-30-SBX	MCFR-30-SB
CF 12-1 BUU	CF 12-1 BUUR	105	12	32	M12×1.5	14	15.2	40.2	7910	9790	KR 32 PPXSK	KR 32 PPSK	KR 32 PPXSK	KR 32 PPSK	MCFR-32-SBX	MCFR-32-SB
CF 16 BUU	CF 16 BUUR	170	16	35	M16×1.5	18	19.6	52.1	12000	18300	KR 35 PPXSK	KR 35 PPSK	KR 35 PPXSK	KR 35 PPSK	MCFR-35-SBX	MCFR-35-SB
CF 18 BUU	CF 18 BUUR	250	18	40	M18×1.5	20	21.6	58.1	14800	25200	KR 40 PPXSK	KR 40 PPSK	KR 40 PPXSK	KR 40 PPSK	MCFR-40-SBX	MCFR-40-SB
CF 20 BUU	CF 20 BUUR	460	20	52	M20×1.5	24	25.6	66.1	20700	34600	KR 52 PPXSK	KR 52 PPSK	KR 52 PPXSK	KR 52 PPSK	MCFR-52-SBX	MCFR-52-SB
CF 20-1 BUU	CF 20-1 BUUR	385	20	47	M20×1.5	24	25.6	66.1	20700	34600	KR 47 PPXSK	KR 47 PPSK	KR 47 PPXSK	KR 47 PPSK	MCFR-47-SBX	MCFR-47-SB
CF 24 BUU	CF 24 BUUR	815	24	62	M24×1.5	29	30.6	80.1	30500	52600	KR 62 PPX	KR 62 PP	KR 62 PPX	KR 62 PP	MCFR-62-SBX	MCFR-62-SB
CF 24-1 BUU	CF 24-1 BUUR	1140	24	72	M24×1.5	29	30.6	80.1	30500	52600	KR 72 PPX	KR 72 PP	KR 72 PPX	KR 72 PP	MCFR-72-SBX	MCFR-72-SB
CF 30 BUU	CF 30 BUUR	1870	30	80	M30×1.5	35	37	100	45400	85100	KR 80 PPX	KR 80 PP	KR 80 PPX	KR 80 PP	MCFR-80-SBX	MCFR-80-SB
CF 30-1 BUU	CF 30-1 BUUR	2030	30	85	M30×1.5	35	37	100	45400	85100	KR 85 PPX	KR 85 PP	KR 85 PPX	KR 85 PP	MCFR-85-SBX	MCFR-85-SB
CF 30-2 BUU	CF 30-2 BUUR	2220	30	90	M30×1.5	35	37	100	45400	85100	KR 90 PPX	KR 90 PP	KR 90 PPX	KR 90 PP	MCFR-90-SBX	MCFR-90-SB

Remarks : Stud dia. 6 to 10mm : No oil holes

CAM FOLLOWERS

Metric Dimension

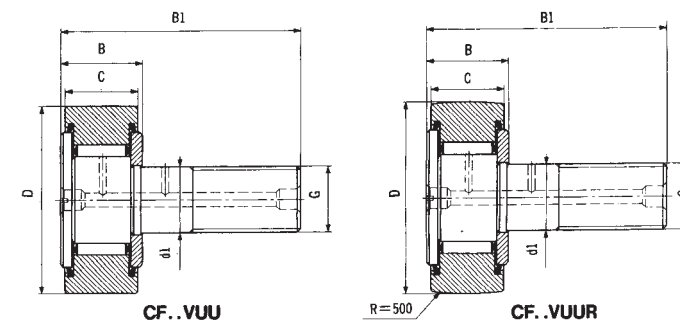


DIMENSION TABLE

INTERCHANGE TABLE

IKO NUMBER CYLINDRICAL OUTER RING CF..V	IKO NUMBER CROWNED OUTER RING CF..VR	WEIGHT (g)	DIMENSIONS (mm)						BASIC DYNAMIC LOAD RATING (N)	BASIC STATIC LOAD RATING (N)	INA		SKF		MCGILL	
			d1	D	G	C	MAX. B	MAX. B1			CYLINDRICAL OUTER RING KRV..X	CROWNED OUTER RING KRV	CYLINDRICAL OUTER RING KRV..X	CROWNED OUTER RING KRV	CYLINDRICAL OUTER RING MCF..X	CROWNED OUTER RING MCF
CF 6 V	CF 6 VR	19	6	16	M6×1	11	12.2	28.2	6980	8500	KRV 16 X	KRV 16	KRV 16 X	KRV 16	MCF-16-X	MCF-16
CF 8 V	CF 8 VR	29	8	19	M8×1.25	11	12.2	32.2	8170	11200	KRV 19 X	KRV 19	KRV 19 X	KRV 19	MCF-19-X	MCF-19
CF 10 V	CF 10 VR	46	10	22	M10×1.25	12	13.2	36.2	9570	14500	—	—	—	—	MCF-22A-X	MCF-22A
CF 10 VM	CF 10 VRM	46	10	22	M10×1	12	13.2	36.2	9570	14500	KRV 22 X	KRV 22	KRV 22 X	KRV 22	MCF-22-X	MCF-22
CF 10-1 V	CF 10-1 VR	61	10	26	M10×1.25	12	13.2	36.2	9570	14500	—	—	—	—	MCF-26A-X	MCF-26A
CF 10-1 VM	CF 10-1 VRM	61	10	26	M10×1	12	13.2	36.2	9570	14500	KRV 26 X	KRV 26	KRV 26 X	KRV 26	MCF-26-X	MCF-26
CF 12 V	CF 12 VR	97	12	30	M12×1.5	14	15.2	40.2	13500	19700	KRV 30 X	KRV 30	KRV 30 X	KRV 30	MCF-30-X	MCF-30
CF 12-1 V	CF 12-1 VR	107	12	32	M12×1.5	14	15.2	40.2	13500	19700	KRV 32 X	KRV 32	KRV 32 X	KRV 32	MCF-32-X	MCF-32
CF 16 V	CF 16 VR	173	16	35	M16×1.5	18	19.6	52.1	20700	37600	KRV 35 X	KRV 35	KRV 35 X	KRV 35	MCF-35-X	MCF-35
CF 18 V	CF 18 VR	255	18	40	M18×1.5	20	21.6	58.1	25300	51300	KRV 40 X	KRV 40	KRV 40 X	KRV 40	MCF-40-X	MCF-40
CF 20 V	CF 20 VR	465	20	52	M20×1.5	24	25.6	66.1	33200	64500	KRV 52 X	KRV 52	KRV 52 X	KRV 52	MCF-52-X	MCF-52
CF 20-1 V	CF 20-1 VR	390	20	47	M20×1.5	24	25.6	66.1	33200	64500	KRV 47 X	KRV 47	KRV 47 X	KRV 47	MCF-47-X	MCF-47
CF 24 V	CF 24 VR	820	24	62	M24×1.5	29	30.6	80.1	46600	92000	—	—	—	—	MCF-62-X	MCF-62
CF 24-1 V	CF 24-1 VR	1140	24	72	M24×1.5	29	30.6	80.1	46600	92000	—	—	—	—	MCF-72-X	MCF-72
CF 30 V	CF 30 VR	1870	30	80	M30×1.5	35	37	100	67700	144000	—	—	—	—	MCF-80-X	MCF-80
CF 30-1 V	CF 30-1 VR	2030	30	85	M30×1.5	35	37	100	67700	144000	—	—	—	—	MCF-85-X	MCF-85
CF 30-2 V	CF 30-2 VR	2220	30	90	M30×1.5	35	37	100	67700	144000	—	—	—	—	MCF-90-X	MCF-90

Remarks : Stud dia. 6 to 10mm : No oil holes in the threaded end

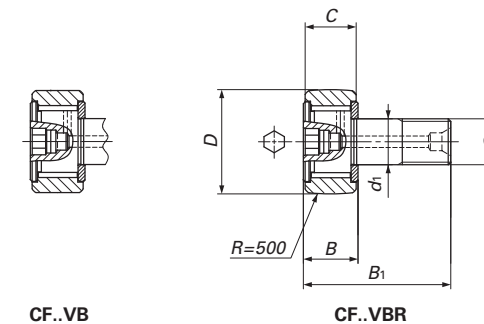


DIMENSION TABLE

INTERCHANGE TABLE

IKO NUMBER CYLINDRICAL OUTER RING CF..VUU	IKO NUMBER CROWNED OUTER RING CF..VUUR	WEIGHT (g)	DIMENSIONS (mm)						BASIC DYNAMIC LOAD RATING (N)	BASIC STATIC LOAD RATING (N)	INA		SKF		MCGILL	
			d1	D	G	C	MAX. B	MAX. B1			CYLINDRICAL OUTER RING KRV..PPX	CROWNED OUTER RING KRV..PP	CYLINDRICAL OUTER RING KRV..PPX	CROWNED OUTER RING KRV..PP	CYLINDRICAL OUTER RING MCF..SX	CROWNED OUTER RING MCF..S
CF 6 VUU	CF 6 VUUR	19	6	16	M6×1	11	12.2	28.2	6980	8500	KRV 16 PPX	KRV 16 PP	KRV 16 PPX	KRV 16 PP	MCF-16-SX	MCF-16-S
CF 8 VUU	CF 8 VUUR	29	8	19	M8×1.25	11	12.2	32.2	8170	11200	KRV 19 PPX	KRV 19 PP	KRV 19 PPX	KRV 19 PP	MCF-19-SX	MCF-19-S
CF 10 VUU	CF 10 VUUR	46	10	22	M10×1.25	12	13.2	36.2	9570	14500	—	—	—	—	MCF-22A-SX	MCF-22A-S
CF 10 VUUM	CF 10 VUURM	46	10	22	M10×1	12	13.2	36.2	9570	14500	KRV 22 PPX	KRV 22 PP	KRV 22 PPX	KRV 22 PP	MCF-22-SX	MCF-22-S
CF 10-1 VUU	CF 10-1 VUUR	61	10	26	M10×1.25	12	13.2	36.2	9570	14500	—	—	—	—	MCF-26A-SX	MCF-26A-S
CF 10-1 VUUM	CF 10-1 VUURM	61	10	26	M10×1	12	13.2	36.2	9570	14500	KRV 26 PPX	KRV 26 PP	KRV 26 PPX	KRV 26 PP	MCF-26-SX	MCF-26-S
CF 12 VUU	CF 12 VUUR	97	12	30	M12×1.5	14	15.2	40.2	13500	19700	KRV 30 PPX	KRV 30 PP	KRV 30 PPX	KRV 30 PP	MCF-30-SX	MCF-30-S
CF 12-1 VUU	CF 12-1 VUUR	107	12	32	M12×1.5	14	15.2	40.2	13500	19700	KRV 32 PPX	KRV 32 PP	KRV 32 PPX	KRV 32 PP	MCF-32-SX	MCF-32-S
CF 16 VUU	CF 16 VUUR	173	16	35	M16×1.5	18	19.6	52.1	20700	37600	KRV 35 PPX	KRV 35 PP	KRV 35 PPX	KRV 35 PP	MCF-35-SX	MCF-35-S
CF 18 VUU	CF 18 VUUR	255	18	40	M18×1.5	20	21.6	58.1	25300	51300	KRV 40 PPX	KRV 40 PP	KRV 40 PPX	KRV 40 PP	MCF-40-SX	MCF-40-S
CF 20 VUU	CF 20 VUUR	465	20	52	M20×1.5	24	25.6	66.1	33200	64500	KRV 52 PPX	KRV 52 PP	KRV 52 PPX	KRV 52 PP	MCF-52-SX	MCF-52-S
CF 20-1 VUU	CF 20-1 VUUR	390	20	47	M20×1.5	24	25.6	66.1	33200	64500	KRV 47 PPX	KRV 47 PP	KRV 47 PPX	KRV 47 PP	MCF-47-SX	MCF-47-S
CF 24 VUU	CF 24 VUUR	820	24	62	M24×1.5	29	30.6	80.1	46600	92000	—	—	—	—	MCF-62-SX	MCF-62-S
CF 24-1 VUU	CF 24-1 VUUR	1140	24	72	M24×1.5	29	30.6	80.1	46600	92000	—	—	—	—	MCF-72-SX	MCF-72-S
CF 30 VUU	CF 30 VUUR	1870	30	80	M30×1.5	35	37	100	67700	144000	—	—	—	—	MCF-80-SX	MCF-80-S
CF 30-1 VUU	CF 30-1 VUUR	2030	30	85	M30×1.5	35	37	100	67700	144000	—	—	—	—	MCF-85-SX	MCF-85-S
CF 30-2 VUU	CF 30-2 VUUR	2220	30	90	M30×1.5	35	37	100	67700	144000	—	—	—	—	MCF-90-SX	MCF-90-S

Remark : Stud dia. 6 to 10mm : No oil holes in the threaded end

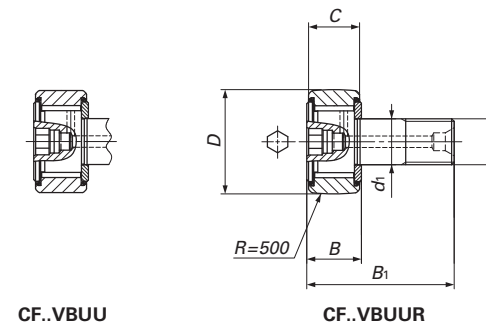


DIMENSION TABLE

INTERCHANGE TABLE

IKO NUMBER CYLINDRICAL OUTER RING CF..VB	IKO NUMBER CROWNED OUTER RING CF..VBR	WEIGHT (g)	DIMENSIONS (mm)						BASIC DYNAMIC LOAD RATING (N)	BASIC STATIC LOAD RATING (N)	INTERCHANGE TABLE					
			d1	D	G	C	MAX. B	MAX. B1			INA CYLINDRICAL OUTER RING KRV..XSK	INA CROWNED OUTER RING KRV..SK	SKF CYLINDRICAL OUTER RING KRV..XSK	SKF CROWNED OUTER RING KRV..SK	MCGILL CYLINDRICAL OUTER RING MCF..BX	MCGILL CROWNED OUTER RING MCF..B
CF 6 VB	CF 6 VBR	19	6	16	M6×1	11	12.2	28.2	6980	8500	KRV 16 XSK	KRV 16 SK	KRV 16 XSK	KRV 16 SK	MCF-16-BX	MCF-16-B
CF 8 VB	CF 8 VBR	29	8	19	M8×1.25	11	12.2	32.2	8170	11200	KRV 19 XSK	KRV 19 SK	KRV 19 XSK	KRV 19 SK	MCF-19-BX	MCF-19-B
CF 10 VB	CF 10 VBR	46	10	22	M10×1.25	12	13.2	36.2	9570	14500	—	—	—	—	MCF-22A-BX	MCF-22A-B
CF 10 VBM	CF 10 VBRM	46	10	22	M10×1	12	13.2	36.2	9570	14500	KRV 22 XSK	KRV 22 SK	KRV 22 XSK	KRV 22 SK	MCF-22-BX	MCF-22-B
CF 10-1 VB	CF 10-1 VBR	61	10	26	M10×1.25	12	13.2	36.2	9570	14500	—	—	—	—	MCF-26A-BX	MCF-26A-B
CF 10-1 VBM	CF 10-1 VBRM	61	10	26	M10×1	12	13.2	36.2	9570	14500	KRV 26 XSK	KRV 26 SK	KRV 26 XSK	KRV 26 SK	MCF-26-BX	MCF-26-B
CF 12 VB	CF 12 VBR	97	12	30	M12×1.5	14	15.2	40.2	13500	19700	KRV 30 XSK	KRV 30 SK	KRV 30 XSK	KRV 30 SK	MCF-30-BX	MCF-30-B
CF 12-1 VB	CF 12-1 VBR	107	12	32	M12×1.5	14	15.2	40.2	13500	19700	KRV 32 XSK	KRV 32 SK	KRV 32 XSK	KRV 32 SK	MCF-32-BX	MCF-32-B
CF 16 VB	CF 16 VBR	173	16	35	M16×1.5	18	19.6	52.1	20700	37600	KRV 35 XSK	KRV 35 SK	KRV 35 XSK	KRV 35 SK	MCF-35-BX	MCF-35-B
CF 18 VB	CF 18 VBR	255	18	40	M18×1.5	20	21.6	58.1	25300	51300	KRV 40 XSK	KRV 40 SK	KRV 40 XSK	KRV 40 SK	MCF-40-BX	MCF-40-B
CF 20 VB	CF 20 VBR	465	20	52	M20×1.5	24	25.6	66.1	33200	64500	KRV 52 XSK	KRV 52 SK	KRV 52 XSK	KRV 52 SK	MCF-52-BX	MCF-52-B
CF 20-1 VB	CF 20-1 VBR	390	20	47	M20×1.5	24	25.6	66.1	33200	64500	KRV 47 XSK	KRV 47 SK	KRV 47 XSK	KRV 47 SK	MCF-47-BX	MCF-47-B
CF 24 VB	CF 24 VBR	820	24	62	M24×1.5	29	30.6	80.1	46600	92000	KRV 62 X	KRV 62	KRV 62 X	KRV 62	MCF-62-BX	MCF-62-B
CF 24-1 VB	CF 24-1 VBR	1140	24	72	M24×1.5	29	30.6	80.1	46600	92000	KRV 72 X	KRV 72	KRV 72 X	KRV 72	MCF-72-BX	MCF-72-B
CF 30 VB	CF 30 VBR	1870	30	80	M30×1.5	35	37	100	67700	144000	KRV 80 X	KRV 80	KRV 80 X	KRV 80	MCF-80-BX	MCF-80-B
CF 30-1 VB	CF 30-1 VBR	2030	30	85	M30×1.5	35	37	100	67700	144000	—	—	—	—	MCF-85-BX	MCF-85-B
CF 30-2 VB	CF 30-2 VBR	2220	30	90	M30×1.5	35	37	100	67700	144000	KRV 90 X	KRV 90	KRV 90 X	KRV 90	MCF-90-BX	MCF-90-B

Remark : Stud dia. 6 to 10mm : No oil holes



DIMENSION TABLE

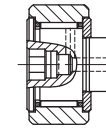
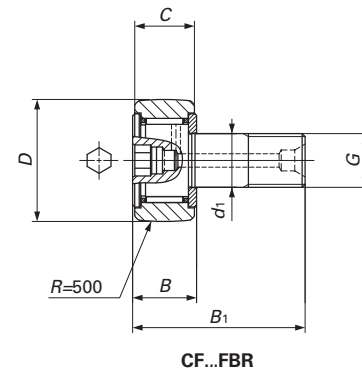
INTERCHANGE TABLE

IKO NUMBER CYLINDRICAL OUTER RING CF..VBUU	IKO NUMBER CROWNED OUTER RING CF..VBUUR	WEIGHT (g)	DIMENSIONS (mm)						BASIC DYNAMIC LOAD RATING (N)	BASIC STATIC LOAD RATING (N)	INA				MCGILL	
			d1	D	G	C	MAX. B	MAX. B1			CYLINDRICAL OUTER RING KRV..PPXSK	CROWNED OUTER RING KRV..PPSK	CYLINDRICAL OUTER RING KRV..PPXSK	CROWNED OUTER RING KRV..PPSK	CYLINDRICAL OUTER RING MCF..SBX	CROWNED OUTER RING MCF..SB
CF 6 VBUU	CF 6 VBUUR	19	6	16	M6×1	11	12.2	28.2	6980	8500	KRV 16 PPXSK	KRV 16 PPSK	KRV 16 PPXSK	KRV 16 PPSK	MCF-16-SBX	MCF-16-SB
CF 8 VBUU	CF 8 VBUUR	29	8	19	M8×1.25	11	12.2	32.2	8170	11200	KRV 19 PPXSK	KRV 19 PPSK	KRV 19 PPXSK	KRV 19 PPSK	MCF-19-SBX	MCF-19-SB
CF 10 VBUU	CF 10 VBUUR	46	10	22	M10×1.25	12	13.2	36.2	9570	14500	—	—	—	—	MCF-22A-SBX	MCF-22A-SB
CF 10 VBUUM	CF 10 VBUURM	46	10	22	M10×1	12	13.2	36.2	9570	14500	KRV 22 PPXSK	KRV 22 PPSK	KRV 22 PPXSK	KRV 22 PPSK	MCF-22-SBX	MCF-22-SB
CF 10-1 VBUU	CF 10-1 VBUUR	61	10	26	M10×1.25	12	13.2	36.2	9570	14500	—	—	—	—	MCF-26A-SBX	MCF-26A-SB
CF 10-1 VBUUM	CF 10-1 VBUURM	61	10	26	M10×1	12	13.2	36.2	9570	14500	KRV 26 PPXSK	KRV 26 PPSK	KRV 26 PPXSK	KRV 26 PPSK	MCF-26-SBX	MCF-26-SB
CF 12 VBUU	CF 12 VBUUR	97	12	30	M12×1.5	14	15.2	40.2	13500	19700	KRV 30 PPXSK	KRV 30 PPSK	KRV 30 PPXSK	KRV 30 PPSK	MCF-30-SBX	MCF-30-SB
CF 12-1 VBUU	CF 12-1 VBUUR	107	12	32	M12×1.5	14	15.2	40.2	13500	19700	KRV 32 PPXSK	KRV 32 PPSK	KRV 32 PPXSK	KRV 32 PPSK	MCF-32-SBX	MCF-32-SB
CF 16 VBUU	CF 16 VBUUR	173	16	35	M16×1.5	18	19.6	52.1	20700	37600	KRV 35 PPXSK	KRV 35 PPSK	KRV 35 PPXSK	KRV 35 PPSK	MCF-35-SBX	MCF-35-SB
CF 18 VBUU	CF 18 VBUUR	255	18	40	M18×1.5	20	21.6	58.1	25300	51300	KRV 40 PPXSK	KRV 40 PPSK	KRV 40 PPXSK	KRV 40 PPSK	MCF-40-SBX	MCF-40-SB
CF 20 VBUU	CF 20 VBUUR	465	20	52	M20×1.5	24	25.6	66.1	33200	64500	KRV 52 PPXSK	KRV 52 PPSK	KRV 52 PPXSK	KRV 52 PPSK	MCF-52-SBX	MCF-52-SB
CF 20-1 VBUU	CF 20-1 VBUUR	390	20	47	M20×1.5	24	25.6	66.1	33200	64500	KRV 47 PPXSK	KRV 47 PPSK	KRV 47 PPXSK	KRV 47 PPSK	MCF-47-SBX	MCF-47-SB
CF 24 VBUU	CF 24 VBUUR	820	24	62	M24×1.5	29	30.6	80.1	46600	92000	KRV 62 PPX	KRV 62 PP	KRV 62 PPX	KRV 62 PP	MCF-62-SBX	MCF-62-SB
CF 24-1 VBUU	CF 24-1 VBUUR	1140	24	72	M24×1.5	29	30.6	80.1	46600	92000	KRV 72 PPX	KRV 72 PP	KRV 72 PPX	KRV 72 PP	MCF-72-SBX	MCF-72-SB
CF 30 VBUU	CF 30 VBUUR	1870	30	80	M30×1.5	35	37	100	67700	144000	KRV 80 PPX	KRV 80 PP	KRV 80 PPX	KRV 80 PP	MCF-80-SBX	MCF-80-SB
CF 30-1 VBUU	CF 30-1 VBUUR	2030	30	85	M30×1.5	35	37	100	67700	144000	—	—	—	—	MCF-85-SBX	MCF-85-SB
CF 30-2 VBUU	CF 30-2 VBUUR	2220	30	90	M30×1.5	35	37	100	67700	144000	KRV 90 PPX	KRV 90 PP	KRV 90 PPX	KRV 90 PP	MCF-90-SBX	MCF-90-SB

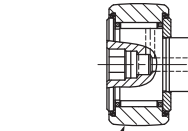
Remark : Stud dia. 6 to 10mm : No oil holes

**CAM FOLLOWERS
STAINLESS STEEL MADE**

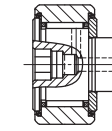
Metric Dimension



CF...FB



CF...FBUUR



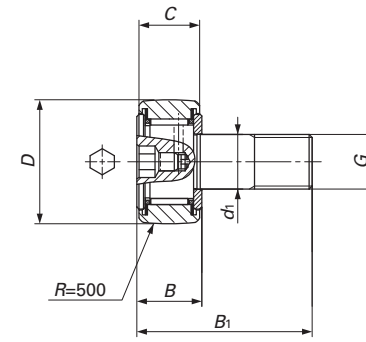
CF...FBUU

DIMENSION TABLE

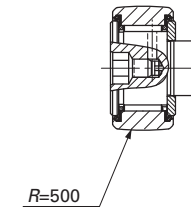
IKO NUMBER SHIELD TYPE		IKO NUMBER SEALED TYPE		WEIGHT (g)	DIMENSIONS (mm)						BASIC DYNAMIC LOAD RATING (N)	BASIC STATIC LOAD RATING (N)
CROWNED OUTER RING	CYLINDRICAL OUTER RING	CROWNED OUTER RING	CYLINDRICAL OUTER RING		d1	D	G	C	MAX.B	MAX.B1		
CF 3FBR	CF 3FB	CF 3FBUUR	CF 3FBUU	4.3	3	10	M 3×0.5	7	8	17	1200	813
CF 4FBR	CF 4FB	CF 4FBUUR	CF 4FBUU	7.4	4	12	M 4×0.7	8	9	20	1650	1270
CF 5FBR	CF 5FB	CF 5FBUUR	CF 5FBUU	10.3	5	13	M 5×0.8	9	10	23	1930	1730
CF 6FBR	—	CF 6FBUUR	—	18.5	6	16	M 6×1	11	12.2	28.2	2930	2920
CF 8FBR	—	CF 8FBUUR	—	28.5	8	19	M 8×1.25	11	12.2	32.2	3400	3790
CF 10FBR	—	CF 10FBUUR	—	45	10	22	M 10×1.25	12	13.2	36.2	4340	5510
CF 12FBR	—	CF 12FBUUR	—	95	12	30	M 12×1.5	14	15.2	40.2	6330	7830
CF 16FBR	—	CF 16FBUUR	—	170	16	35	M 16×1.5	18	19.6	52.1	9620	14700
CF 18FBR	—	CF 18FBUUR	—	250	18	40	M 18×1.5	20	21.6	58.1	11800	20200
CF 20FBR	—	CF 20FBUUR	—	460	20	52	M 20×1.5	24	25.6	66.1	16500	27700

**CAM FOLLOWERS
STAINLESS THRUST DISK TYPE**

Metric Dimension



CF...FWBR



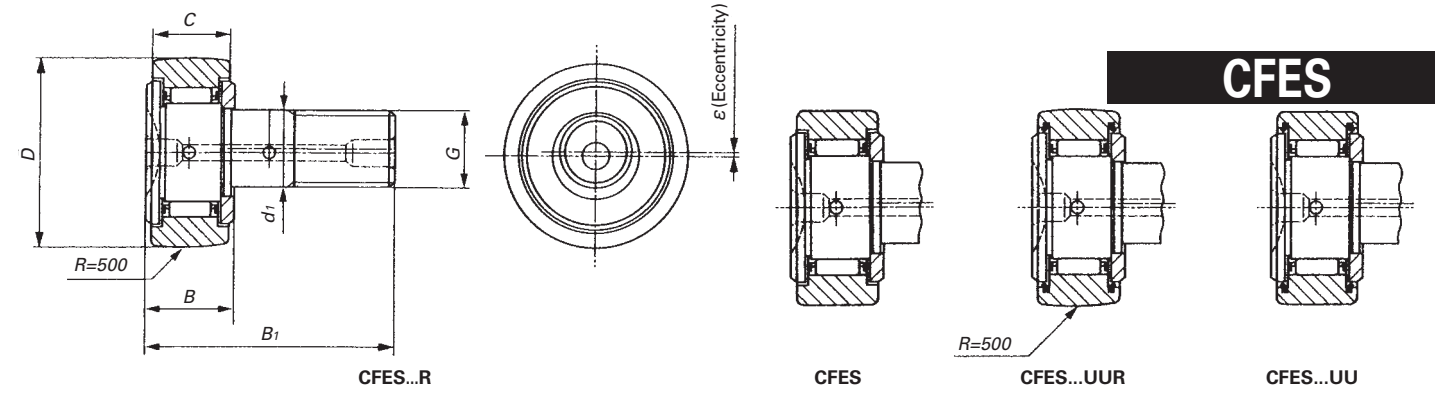
CF...FWBUUR

DIMENSION TABLE

IKO NUMBER		WEIGHT (g)	DIMENSIONS (mm)						BASIC DYNAMIC LOAD RATING (N)	BASIC STATIC LOAD RATING (N)
SHIELD TYPE	SEALED TYPE		d1	D	G	C	MAX.B	MAX.B1		
CF 3 FWBR	CF 3 FWBUUR	4.3	3	10	M 3×0.5	7	8	17	1200	813
CF 4 FWBR	CF 4 FWBUUR	7.4	4	12	M 4×0.7	8	9	20	1650	1270
CF 5 FWBR	CF 5 FWBUUR	10.3	5	13	M 5×0.8	9	10	23	1930	1730

**CAM FOLLOWERS
SOLID ECCENTRIC STUD TYPE**

Metric Dimension

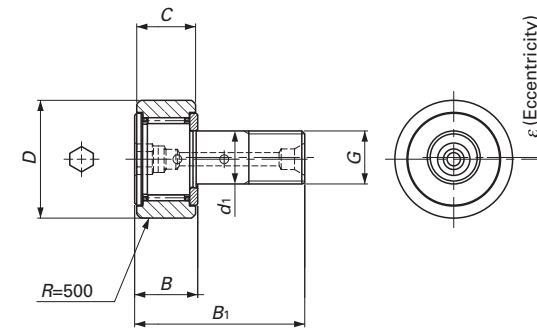


DIMENSION TABLE

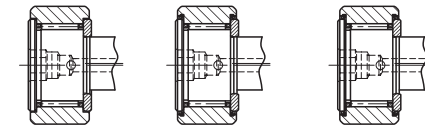
IKO NUMBER SHIELD TYPE		IKO NUMBER SEALED TYPE		WEIGHT (g)	DIMENSIONS (mm)							BASIC DYNAMIC LOAD RATING (N)	BASIC STATIC LOAD RATING (N)
CROWNED OUTER RING	CYLINDRICAL OUTER RING	CROWNED OUTER RING	CYLINDRICAL OUTER RING		d1	D	G	C	MAX.B	MAX.B1	ε		
CFES 6R	CFES 6	CFES 6UUR	CFES 6UU	18.5	6	16	M 6×1	11	12.2	28.2	0.25	3660	3650
CFES 8R	CFES 8	CFES 8UUR	CFES 8UU	28.5	8	19	M 8×1.25	11	12.2	32.2	0.25	4250	4740
CFES 10R	CFES 10	CFES 10UUR	CFES 10UU	45	10	22	M 10×1.25	12	13.2	36.2	0.3	5430	6890
CFES 10-1R	CFES 10-1	CFES 10-1UUR	CFES 10-1UU	60	10	26	M 10×1.25	12	13.2	36.2	0.3	5430	6890
CFES 12R	CFES 12	CFES 12UUR	CFES 12UU	95	12	30	M 12×1.5	14	15.2	40.2	0.4	7910	9790
CFES 12-1R	CFES 12-1	CFES 12-1UUR	CFES 12-1UU	105	12	32	M 12×1.5	14	15.2	40.2	0.4	7910	9790
CFES 16R	CFES 16	CFES 16UUR	CFES 16UU	170	16	35	M 16×1.5	18	19.6	52.1	0.5	12000	18300
CFES 18R	CFES 18	CFES 18UUR	CFES 18UU	250	18	40	M 18×1.5	20	21.6	58.1	0.6	14800	25200

**CAM FOLLOWERS
SOLID ECCENTRIC STUD TYPE**

Metric Dimension



CFES...BR



CFES...B

CFES...BUUR

CFES...BUU

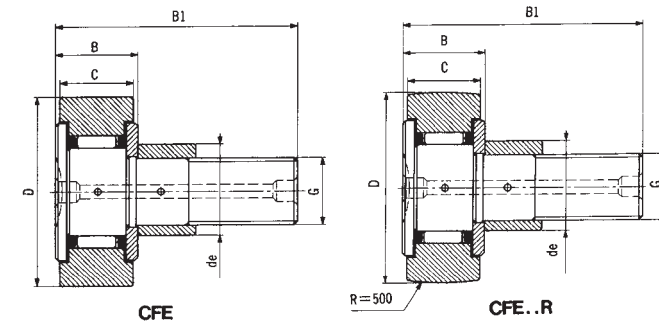
CFES...B

DIMENSION TABLE

IKO NUMBER SHIELD TYPE		IKO NUMBER SEALED TYPE		WEIGHT (g)	DIMENSIONS (mm)							BASIC DYNAMIC LOAD RATING (N)	BASIC STATIC LOAD RATING (N)
CROWNED OUTER RING	CYLINDRICAL OUTER RING	CROWNED OUTER RING	CYLINDRICAL OUTER RING		d1	D	G	C	MAX.B	MAX.B1	ε		
CFES 6BR	CFES 6B	CFES 6BUUR	CFES 6BUU	18.5	6	16	M 6×1	11	12.2	28.2	0.25	3660	3650
CFES 8BR	CFES 8B	CFES 8BUUR	CFES 8BUU	28.5	8	19	M 8×1.25	11	12.2	32.2	0.25	4250	4740
CFES 10BR	CFES 10B	CFES 10BUUR	CFES 10BUU	45	10	22	M 10×1.25	12	13.2	36.2	0.3	5430	6890
CFES 10-1BR	CFES 10-1B	CFES 10-1BUUR	CFES 10-1BUU	60	10	26	M 10×1.25	12	13.2	36.2	0.3	5430	6890
CFES 12BR	CFES 12B	CFES 12BUUR	CFES 12BUU	95	12	30	M 12×1.5	14	15.2	40.2	0.4	7910	9790
CFES 12-1BR	CFES 12-1B	CFES 12-1BUUR	CFES 12-1BUU	105	12	32	M 12×1.5	14	15.2	40.2	0.4	7910	9790
CFES 16BR	CFES 16B	CFES 16BUUR	CFES 16BUU	170	16	35	M 16×1.5	18	19.2	52.1	0.5	12000	18300
CFES 18BR	CFES 18B	CFES 18BUUR	CFES 18BUU	250	18	40	M 18×1.5	20	21.6	58.1	0.6	14800	25200

CAM FOLLOWERS

Metric Dimension



DIMENSION TABLE

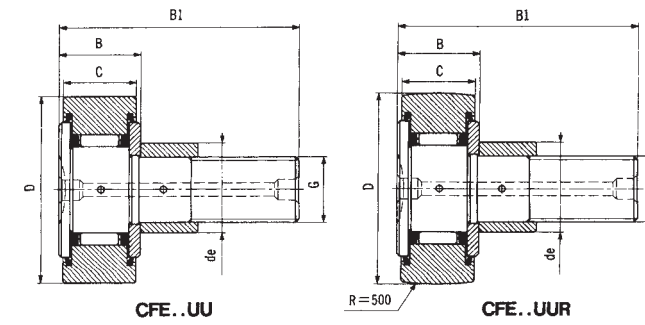
INTERCHANGE TABLE

IKO NUMBER CYLINDRICAL OUTER RING CFE	IKO NUMBER CROWNED OUTER RING CFE..R	WEIGHT (g)	DIMENSIONS (mm)						BASIC DYNAMIC LOAD RATING (N)	BASIC STATIC LOAD RATING (N)	INA	
			de	D	G	C	MAX. B	MAX. B1			CYLINDRICAL OUTER RING KRE..X	CROWNED OUTER RING KRE
CFE 6	CFE 6 R	20.5	9	16	M6×1	11	12.2	28.2	3660	3650	KRE 16 X	KRE 16
CFE 8	CFE 8 R	32	11	19	M8×1.25	11	12.2	32.2	4250	4740	KRE 19 X	KRE 19
CFE 10	CFE 10 R	49.5	13	22	M10×1.25	12	13.2	36.2	5430	6890	—	—
CFE 10 M	CFE 10 RM	49.5	13	22	M10×1	12	13.2	36.2	5430	6890	KRE 22 X	KRE 22
CFE 10-1	CFE 10-1 R	65	13	26	M10×1.25	12	13.2	36.2	5430	6890	—	—
CFE 10-1 M	CFE 10-1 RM	65	13	26	M10×1	12	13.2	36.2	5430	6890	KRE 26 X	KRE 26
CFE 12	CFE 12 R	105	16	30	M12×1.5	14	15.2	40.2	7910	9790	—	—
CFE 12-1	CFE 12-1 R	115	16	32	M12×1.5	14	15.2	40.2	7910	9790	—	—
CFE 16	CFE 16 R	190	22	35	M16×1.5	18	19.6	52.1	12000	18300	—	—
CFE 18	CFE 18 R	280	24	40	M18×1.5	20	21.6	58.1	14800	25200	—	—
CFE 20	CFE 20 R	500	27	52	M20×1.5	24	25.6	66.1	20700	34600	—	—
CFE 20-1	CFE 20-1 R	425	27	47	M20×1.5	24	25.6	66.1	20700	34600	—	—
CFE 24	CFE 24 R	895	33	62	M24×1.5	29	30.6	80.1	30500	52600	—	—
CFE 24-1	CFE 24-1 R	1220	33	72	M24×1.5	29	30.6	80.1	30500	52600	—	—
CFE 30	CFE 30 R	2030	41	80	M30×1.5	35	37	100	45400	85100	—	—
CFE 30-1	CFE 30-1 R	2190	41	85	M30×1.5	35	37	100	45400	85100	—	—
CFE 30-2	CFE 30-2 R	2380	41	90	M30×1.5	35	37	100	45400	85100	—	—

Remark : Stud dia. 6 to 10mm : No oil holes in the threaded end

CAM FOLLOWERS

Metric Dimension



DIMENSION TABLE

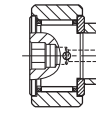
INTERCHANGE TABLE

IKO NUMBER CYLINDRICAL OUTER RING CFE..UU	IKO NUMBER CROWNED OUTER RING CFE..UUR	WEIGHT (g)	DIMENSIONS (mm)						BASIC DYNAMIC LOAD RATING (N)	BASIC STATIC LOAD RATING (N)	INA	
			de	D	G	C	MAX. B	MAX. B1			CYLINDRICAL OUTER RING KRE..PPX	CROWNED OUTER RING KRE..PP
CFE 6 UU	CFE 6 UUR	20.5	9	16	M6×1	11	12.2	28.2	3660	3650	KRE 16 PPX	KRE 16 PP
CFE 8 UU	CFE 8 UUR	32	11	19	M8×1.25	11	12.2	32.2	4250	4740	KRE 19 PPX	KRE 19 PP
CFE 10 UU	CFE 10 UUR	49.5	13	22	M10×1.25	12	13.2	36.2	5430	6890	—	—
CFE 10 UUM	CFE 10 UURM	49.5	13	22	M10×1	12	13.2	36.2	5430	6890	KRE 22 PPX	KRE 22 PP
CFE 10-1 UU	CFE 10-1 UUR	65	13	26	M10×1.25	12	13.2	36.2	5430	6890	—	—
CFE 10-1 UUM	CFE 10-1 UURM	65	13	26	M10×1	12	13.2	36.2	5430	6890	KRE 26 PPX	KRE 26 PP
CFE 12 UU	CFE 12 UUR	105	16	30	M12×1.5	14	15.2	40.2	7910	9790	—	—
CFE 12-1 UU	CFE 12-1 UUR	115	16	32	M12×1.5	14	15.2	40.2	7910	9790	—	—
CFE 16 UU	CFE 16 UUR	190	22	35	M16×1.5	18	19.6	52.1	12000	18300	—	—
CFE 18 UU	CFE 18 UUR	280	24	40	M18×1.5	20	21.6	58.1	14800	25200	—	—
CFE 20 UU	CFE 20 UUR	500	27	52	M20×1.5	24	25.6	66.1	20700	34600	—	—
CFE 20-1 UU	CFE 20-1 UUR	425	27	47	M20×1.5	24	25.6	66.1	20700	34600	—	—
CFE 24 UU	CFE 24 UUR	895	33	62	M24×1.5	29	30.6	80.1	30500	52600	—	—
CFE 24-1 UU	CFE 24-1 UUR	1220	33	72	M24×1.5	29	30.6	80.1	30500	52600	—	—
CFE 30 UU	CFE 30 UUR	2030	41	80	M30×1.5	35	37	100	45400	85100	—	—
CFE 30-1 UU	CFE 30-1 UUR	2190	41	85	M30×1.5	35	37	100	45400	85100	—	—
CFE 30-2 UU	CFE 30-2 UUR	2380	41	90	M30×1.5	35	37	100	45400	85100	—	—

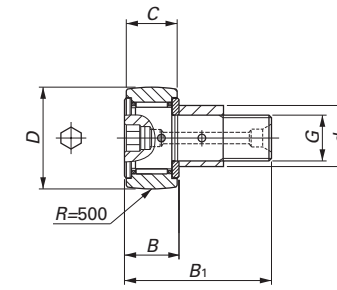
Remark : Stud dia. 6 to 10mm : No oil holes in the threaded end

CAM FOLLOWERS

Metric Dimension



CFE..B



CFE..BR

DIMENSION TABLE

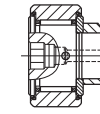
INTERCHANGE TABLE

IKO NUMBER CYLINDRICAL OUTER RING CFE..B	IKO NUMBER CROWNED OUTER RING CFE..BR	WEIGHT (g)	DIMENSIONS (mm)						BASIC DYNAMIC LOAD RATING (N)	BASIC STATIC LOAD RATING (N)	INA	
			de	D	G	C	MAX. B	MAX. B1			CYLINDRICAL OUTER RING KRE..XSK	CROWNED OUTER RING KRE..SK
CFE 6 B	CFE 6 BR	20.5	9	16	M6×1	11	12.2	28.2	3660	3650	KRE 16 XSK	KRE 16 SK
CFE 8 B	CFE 8 BR	32	11	19	M8×1.25	11	12.2	32.2	4250	4740	KRE 19 XSK	KRE 19 SK
CFE 10 B	CFE 10 BR	49.5	13	22	M10×1.25	12	13.2	36.2	5430	6890	—	—
CFE 10 BM	CFE 10 BRM	49.5	13	22	M10×1	12	13.2	36.2	5430	6890	KRE 22 XSK	KRE 22 SK
CFE 10-1 B	CFE 10-1 BR	65	13	26	M10×1.25	12	13.2	36.2	5430	6890	—	—
CFE 10-1 BM	CFE 10-1 BRM	65	13	26	M10×1	12	13.2	36.2	5430	6890	KRE 26 XSK	KRE 26 SK
CFE 12 B	CFE 12 BR	105	16	30	M12×1.5	14	15.2	40.2	7910	9790	—	—
CFE 12-1 B	CFE 12-1 BR	115	16	32	M12×1.5	14	15.2	40.2	7910	9790	—	—
CFE 16 B	CFE 16 BR	190	22	35	M16×1.5	18	19.6	52.1	12000	18300	—	—
CFE 18 B	CFE 18 BR	280	24	40	M18×1.5	20	21.6	58.1	14800	25200	—	—
CFE 20 B	CFE 20 BR	500	27	52	M20×1.5	24	25.6	66.1	20700	34600	—	—
CFE 20-1 B	CFE 20-1 BR	425	27	47	M20×1.5	24	25.6	66.1	20700	34600	—	—
CFE 24 B	CFE 24 BR	895	33	62	M24×1.5	29	30.6	80.1	30500	52600	—	—
CFE 24-1 B	CFE 24-1 BR	1220	33	72	M24×1.5	29	30.6	80.1	30500	52600	—	—
CFE 30 B	CFE 30 BR	2030	41	80	M30×1.5	35	37	100	45400	85100	—	—
CFE 30-1 B	CFE 30-1 BR	2190	41	85	M30×1.5	35	37	100	45400	85100	—	—
CFE 30-2 B	CFE 30-2 BR	2380	41	90	M30×1.5	35	37	100	45400	85100	—	—

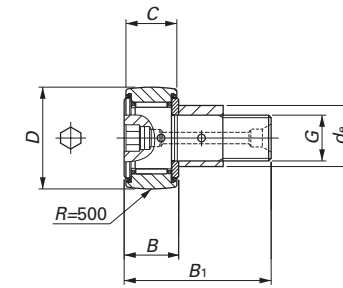
Remark : Collar dia. 9 to 13mm : No oil holes

CAM FOLLOWERS

Metric Dimension



CFE..BUU



CFE..BUUR

DIMENSION TABLE

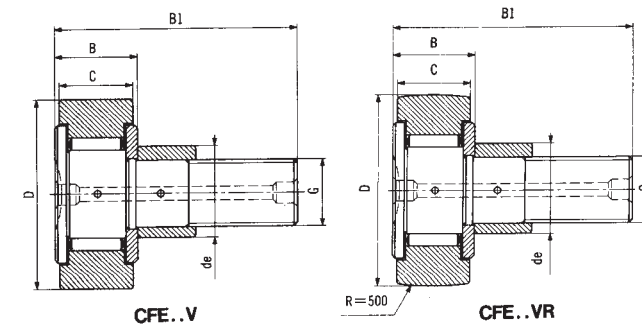
INTERCHANGE TABLE

IKO NUMBER CYLINDRICAL OUTER RING CFE..BUU	IKO NUMBER CROWNED OUTER RING CFE..BUUR	WEIGHT (g)	DIMENSIONS (mm)						BASIC DYNAMIC LOAD RATING (N)	BASIC STATIC LOAD RATING (N)	INA	
			de	D	G	C	MAX. B	MAX. B1			CYLINDRICAL OUTER RING KRE..PPXSK	CROWNED OUTER RING KRE..PPSK
CFE 6 BUU	CFE 6 BUUR	20.5	9	16	M6×1	11	12.2	28.2	3660	3650	KRE 16 PPXSK	KRE 16 PPSK
CFE 8 BUU	CFE 8 BUUR	32	11	19	M8×1.25	11	12.2	32.2	4250	4740	KRE 19 PPXSK	KRE 19 PPSK
CFE 10 BUU	CFE 10 BUUR	49.5	13	22	M10×1.25	12	13.2	36.2	5430	6890	—	—
CFE 10 BUUM	CFE 10 BUURM	49.5	13	22	M10×1	12	13.2	36.2	5430	6890	KRE 22 PPXSK	KRE 22 PPSK
CFE 10-1 BUU	CFE 10-1 BUUR	65	13	26	M10×1.25	12	13.2	36.2	5430	6890	—	—
CFE 10-1 BUUM	CFE 10-1 BUURM	65	13	26	M10×1	12	13.2	36.2	5430	6890	KRE 26 PPXSK	KRE 26 PPSK
CFE 12 BUU	CFE 12 BUUR	105	16	30	M12×1.5	14	15.2	40.2	7910	9790	—	—
CFE 12-1 BUU	CFE 12-1 BUUR	115	16	32	M12×1.5	14	15.2	40.2	7910	9790	—	—
CFE 16 BUU	CFE 16 BUUR	190	22	35	M16×1.5	18	19.6	52.1	12000	18300	—	—
CFE 18 BUU	CFE 18 BUUR	280	24	40	M18×1.5	20	21.6	58.1	14800	25200	—	—
CFE 20 BUU	CFE 20 BUUR	500	27	52	M20×1.5	24	25.6	66.1	20700	34600	—	—
CFE 20-1 BUU	CFE 20-1 BUUR	425	27	47	M20×1.5	24	25.6	66.1	20700	34600	—	—
CFE 24 BUU	CFE 24 BUUR	895	33	62	M24×1.5	29	30.6	80.1	30500	52600	—	—
CFE 24-1 BUU	CFE 24-1 BUUR	1220	33	72	M24×1.5	29	30.6	80.1	30500	52600	—	—
CFE 30 BUU	CFE 30 BUUR	2030	41	80	M30×1.5	35	37	100	45400	85100	—	—
CFE 30-1 BUU	CFE 30-1 BUUR	2190	41	85	M30×1.5	35	37	100	45400	85100	—	—
CFE 30-2 BUU	CFE 30-2 BUUR	2380	41	90	M30×1.5	35	37	100	45400	85100	—	—

Remark : Collar dia. 9 to 13mm : No oil holes

CAM FOLLOWERS

Metric Dimension

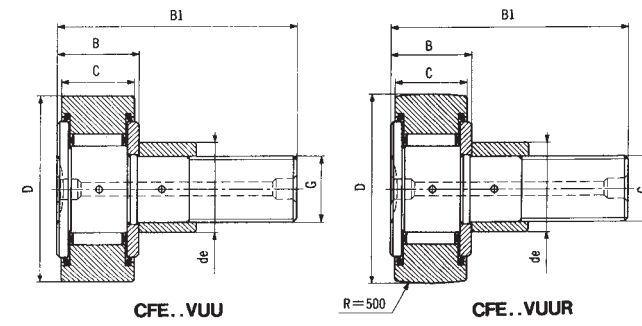


DIMENSION TABLE

INTERCHANGE TABLE

IKO NUMBER CYLINDRICAL OUTER RING CFE..V	IKO NUMBER CROWNED OUTER RING CFE..VR	WEIGHT (g)	DIMENSIONS (mm)					MAX. B	MAX. B1	BASIC DYNAMIC LOAD RATING (N)	BASIC STATIC LOAD RATING (N)	INA	
			de	D	G	C	CYLINDRICAL OUTER RING KRVE..X					CROWNED OUTER RING KRVE	
CFE 6 V	CFE 6 VR	21	9	16	M6×1	11	12.2	28.2	6980	8500	KRVE 16 X	KRVE 16	
CFE 8 V	CFE 8 VR	32.5	11	19	M8×1.25	11	12.2	32.2	8170	11200	KRVE 19 X	KRVE 19	
CFE 10 V	CFE 10 VR	50.5	13	22	M10×1.25	12	13.2	36.2	9570	14500	—	—	
CFE 10 VM	CFE 10 VRM	50.5	13	22	M10×1	12	13.2	36.2	9570	14500	KRVE 22 X	KRVE 22	
CFE 10-1 V	CFE 10-1 VR	66	13	26	M10×1.25	12	13.2	36.2	9570	14500	—	—	
CFE 10-1 VM	CFE 10-1 VRM	66	13	26	M10×1	12	13.2	36.2	9570	14500	KRVE 26 X	KRVE 26	
CFE 12 V	CFE 12 VR	107	16	30	M12×1.5	14	15.2	40.2	13500	19700	—	—	
CFE 12-1 V	CFE 12-1 VR	117	16	32	M12×1.5	14	15.2	40.2	13500	19700	—	—	
CFE 16 V	CFE 16 VR	193	22	35	M16×1.5	18	19.6	52.1	20700	37600	—	—	
CFE 18 V	CFE 18 VR	285	24	40	M18×1.5	20	21.6	58.1	25300	51300	—	—	
CFE 20 V	CFE 20 VR	505	27	52	M20×1.5	24	25.6	66.1	33200	64500	—	—	
CFE 20-1 V	CFE 20-1 VR	430	27	47	M20×1.5	24	25.6	66.1	33200	64500	—	—	
CFE 24 V	CFE 24 VR	900	33	62	M24×1.5	29	30.6	80.1	46600	92000	—	—	
CFE 24-1 V	CFE 24-1 VR	1220	33	72	M24×1.5	29	30.6	80.1	46600	92000	—	—	
CFE 30 V	CFE 30 VR	2030	41	80	M30×1.5	35	37	100	67700	144000	—	—	
CFE 30-1 V	CFE 30-1 VR	2190	41	85	M30×1.5	35	37	100	67700	144000	—	—	
CFE 30-2 V	CFE 30-2 VR	2380	41	90	M30×1.5	35	37	100	67700	144000	—	—	

Remark : Collar dia. 9 to 13mm : No oil holes in the threaded end

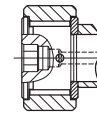


DIMENSION TABLE

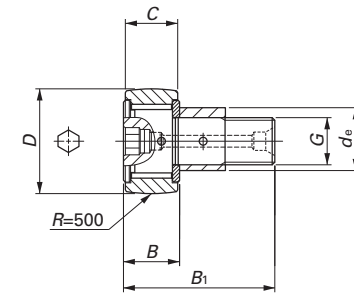
INTERCHANGE TABLE

IKO NUMBER CYLINDRICAL OUTER RING CFE..VUU	IKO NUMBER CROWNED OUTER RING CFE..VUUR	WEIGHT (g)	DIMENSIONS (mm)						BASIC DYNAMIC LOAD RATING (N)	BASIC STATIC LOAD RATING (N)	INA	
			de	D	G	C	MAX. B	MAX. B1			CYLINDRICAL OUTER RING KRVE..PPX	CROWNED OUTER RING KRVE..PP
CFE 6 VUU	CFE 6 VUUR	21	9	16	M6×1	11	12.2	28.2	6980	8500	KRVE 16 PPX	KRVE 16 PP
CFE 8 VUU	CFE 8 VUUR	32.5	11	19	M8×1.25	11	12.2	32.2	8170	11200	KRVE 19 PPX	KRVE 19 PP
CFE 10 VUU	CFE 10 VUUR	50.5	13	22	M10×1.25	12	13.2	36.2	9570	14500	—	—
CFE 10 VUUM	CFE 10 VUURM	50.5	13	22	M10×1	12	13.2	36.2	9570	14500	KRVE 22 PPX	KRVE 22 PP
CFE 10-1 VUU	CFE 10-1 VUUR	66	13	26	M10×1.25	12	13.2	36.2	9570	14500	—	—
CFE 10-1 VUUM	CFE 10-1 VUURM	66	13	26	M10×1	12	13.2	36.2	9570	14500	KRVE 26 PPX	KRVE 26 PP
CFE 12 VUU	CFE 12 VUUR	107	16	30	M12×1.5	14	15.2	40.2	13500	19700	—	—
CFE 12-1 VUU	CFE 12-1 VUUR	117	16	32	M12×1.5	14	15.2	40.2	13500	19700	—	—
CFE 16 VUU	CFE 16 VUUR	193	22	35	M16×1.5	18	19.6	52.1	20700	37600	—	—
CFE 18 VUU	CFE 18 VUUR	285	24	40	M18×1.5	20	21.6	58.1	25300	51300	—	—
CFE 20 VUU	CFE 20 VUUR	505	27	52	M20×1.5	24	25.6	66.1	33200	64500	—	—
CFE 20-1 VUU	CFE 20-1 VUUR	430	27	47	M20×1.5	24	25.6	66.1	33200	64500	—	—
CFE 24 VUU	CFE 24 VUUR	900	33	62	M24×1.5	29	30.6	80.1	46600	92000	—	—
CFE 24-1 VUU	CFE 24-1 VUUR	1220	33	72	M24×1.5	29	30.6	80.1	46600	92000	—	—
CFE 30 VUU	CFE 30 VUUR	2030	41	80	M30×1.5	35	37	100	67700	144000	—	—
CFE 30-1 VUU	CFE 30-1 VUUR	2190	41	85	M30×1.5	35	37	100	67700	144000	—	—
CFE 30-2 VUU	CFE 30-2 VUUR	2380	41	90	M30×1.5	35	37	100	67700	144000	—	—

Remark : Collar dia. 9 to 13mm : No oil holes in the threaded end



CFE..VB



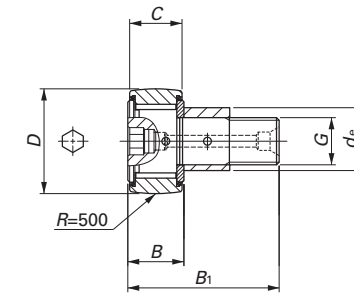
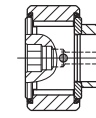
CFE..VBR

DIMENSION TABLE

INTERCHANGE TABLE

IKO NUMBER CYLINDRICAL OUTER RING CFE..VB	IKO NUMBER CROWNED OUTER RING CFE..VBR	WEIGHT (g)	DIMENSIONS (mm)						BASIC DYNAMIC LOAD RATING (N)	BASIC STATIC LOAD RATING (N)	INA	
			de	D	G	C	MAX. B	MAX. B1			CYLINDRICAL OUTER RING KRVE..XSK	CROWNED OUTER RING KRVE..SK
CFE 6 VB	CFE 6 VBR	21	9	16	M6×1	11	12.2	28.2	6980	8500	KRVE 16 XSK	KRVE 16 SK
CFE 8 VB	CFE 8 VBR	32.5	11	19	M8×1.25	11	12.2	32.2	8170	11200	KRVE 19 XSK	KRVE 19 SK
CFE 10 VB	CFE 10 VBR	50.5	13	22	M10×1.25	12	13.2	36.2	9570	14500	—	—
CFE 10 VBM	CFE 10 VBRM	50.5	13	22	M10×1	12	13.2	36.2	9570	14500	KRVE 22 XSK	KRVE 22 SK
CFE 10-1 VB	CFE 10-1 VBR	66	13	26	M10×1.25	12	13.2	36.2	9570	14500	—	—
CFE 10-1 VBM	CFE 10-1 VBRM	66	13	26	M10×1	12	13.2	36.2	9570	14500	KRVE 26 XSK	KRVE 26 SK
CFE 12 VB	CFE 12 VBR	107	16	30	M12×1.5	14	15.2	40.2	13500	19700	—	—
CFE 12-1 VB	CFE 12-1 VBR	117	16	32	M12×1.5	14	15.2	40.2	13500	19700	—	—
CFE 16 VB	CFE 16 VBR	193	22	35	M16×1.5	18	19.6	52.1	20700	37600	—	—
CFE 18 VB	CFE 18 VBR	285	24	40	M18×1.5	20	21.6	58.1	25300	51300	—	—
CFE 20 VB	CFE 20 VBR	505	27	52	M20×1.5	24	25.6	66.1	33200	64500	—	—
CFE 20-1 VB	CFE 20-1 VBR	430	27	47	M20×1.5	24	25.6	66.1	33200	64500	—	—
CFE 24 VB	CFE 24 VBR	900	33	62	M24×1.5	29	30.6	80.1	46600	92000	—	—
CFE 24-1 VB	CFE 24-1 VBR	1220	33	72	M24×1.5	29	30.6	80.1	46600	92000	—	—
CFE 30 VB	CFE 30 VBR	2030	41	80	M30×1.5	35	37	100	67700	144000	—	—
CFE 30-1 VB	CFE 30-1 VBR	2190	41	85	M30×1.5	35	37	100	67700	144000	—	—
CFE 30-2 VB	CFE 30-2 VBR	2380	41	90	M30×1.5	35	37	100	67700	144000	—	—

Remark : Collar dia. 9 to 13mm : No oil holes



CFE..VBUU

CFE..VBUUR

DIMENSION TABLE

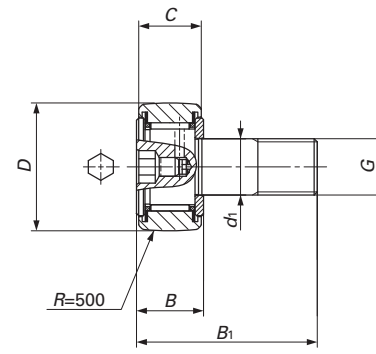
INTERCHANGE TABLE

IKO NUMBER CYLINDRICAL OUTER RING CFE..VBUU	IKO NUMBER CROWNED OUTER RING CFE..VBUUR	WEIGHT (g)	DIMENSIONS (mm)						BASIC DYNAMIC LOAD RATING (N)	BASIC STATIC LOAD RATING (N)	INA	
			de	D	G	C	MAX. B	MAX. B1			CYLINDRICAL OUTER RING KRVE..PPXSK	CROWNED OUTER RING KRVE..PPSK
CFE 6 VBUU	CFE 6 VBUUR	21	9	16	M6×1	11	12.2	28.2	6980	8500	KRVE 16 PPXSK	KRVE 16 PPSK
CFE 8 VBUU	CFE 8 VBUUR	32.5	11	19	M8×1.25	11	12.2	32.2	8170	11200	KRVE 19 PPXSK	KRVE 19 PPSK
CFE 10 VBUU	CFE 10 VBUUR	50.5	13	22	M10×1.25	12	13.2	36.2	9570	14500	—	—
CFE 10 VBUUM	CFE 10 VBUURM	50.5	13	22	M10×1	12	13.2	36.2	9570	14500	KRVE 22 PPXSK	KRVE 22 PPSK
CFE 10-1 VBUU	CFE 10-1 VBUUR	66	13	26	M10×1.25	12	13.2	36.2	9570	14500	—	—
CFE 10-1 VBUUM	CFE 10-1 VBUURM	66	13	26	M10×1	12	13.2	36.2	9570	14500	KRVE 26 PPXSK	KRVE 26 PPSK
CFE 12 VBUU	CFE 12 VBUUR	107	16	30	M12×1.5	14	15.2	40.2	13500	19700	—	—
CFE 12-1 VBUU	CFE 12-1 VBUUR	117	16	32	M12×1.5	14	15.2	40.2	13500	19700	—	—
CFE 16 VBUU	CFE 16 VBUUR	193	22	35	M16×1.5	18	19.6	52.1	20700	37600	—	—
CFE 18 VBUU	CFE 18 VBUUR	285	24	40	M18×1.5	20	21.6	58.1	25300	51300	—	—
CFE 20 VBUU	CFE 20 VBUUR	505	27	52	M20×1.5	24	25.6	66.1	33200	64500	—	—
CFE 20-1 VBUU	CFE 20-1 VBUUR	430	27	47	M20×1.5	24	25.6	66.1	33200	64500	—	—
CFE 24 VBUU	CFE 24 VBUUR	900	33	62	M24×1.5	29	30.6	80.1	46600	92000	—	—
CFE 24-1 VBUU	CFE 24-1 VBUUR	1220	33	72	M24×1.5	29	30.6	80.1	46600	92000	—	—
CFE 30 VBUU	CFE 30 VBUUR	2030	41	80	M30×1.5	35	37	100	67700	144000	—	—
CFE 30-1 VBUU	CFE 30-1 VBUUR	2190	41	85	M30×1.5	35	37	100	67700	144000	—	—
CFE 30-2 VBUU	CFE 30-2 VBUUR	2380	41	90	M30×1.5	35	37	100	67700	144000	—	—

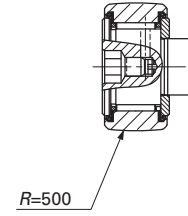
Remark : Collar dia. 9 to 13mm : No oil holes

**CAM FOLLOWERS
THRUST DISK TYPE**

Metric Dimension



CF...WBR



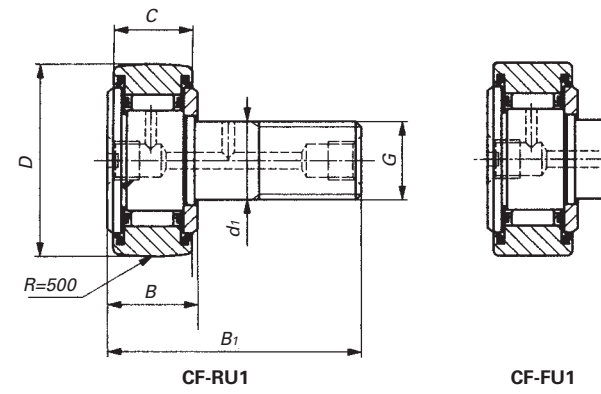
CF...WBUUR

DIMENSION TABLE

IKO NUMBER		WEIGHT (g)	DIMENSIONS (mm)						BASIC DYNAMIC LOAD RATING (N)	BASIC STATIC LOAD RATING (N)
SHIELD TYPE	SEALED TYPE		d1	D	G	C	MAX.B	MAX.B1		
CF 3WBR	CF 3WBUUR	4.3	3	10	M 3×0.5	7	8	17	1500	1020
CF 4WBR	CF 4WBUUR	7.4	4	12	M 4×0.7	8	9	20	2070	1590
CF 5WBR	CF 5WBUUR	10.3	5	13	M 5×0.8	9	10	23	2520	2140
CF 6WBR	CF 6WBUUR	18.5	6	16	M 6×1	11	12.2	28.2	3660	3650
CF 8WBR	CF 8WBUUR	28.5	8	19	M 8×1.25	11	12.2	32.2	4250	4740
CF 10WBR	CF 10WBUUR	45	10	22	M 10×1.25	12	13.2	36.2	5430	6890
CF 10-1WBR	CF 10-1WBUUR	60	10	26	M 10×1.25	12	13.2	36.2	5430	6890
CF 12WBR	CF 12WBUUR	95	12	30	M 12×1.5	14	15.2	40.2	7910	9790
CF 12-1WBR	CF 12-1WBUUR	105	12	32	M 12×1.5	14	15.2	40.2	7910	9790
CF 16WBR	CF 16WBUUR	170	16	35	M 16×1.5	18	19.6	52.1	12000	18300
CF 18WBR	CF 18WBUUR	250	18	40	M 18×1.5	20	21.6	58.1	14800	25200
CF 20WBR	CF 20WBUUR	460	20	52	M 20×1.5	24	25.6	66.1	20700	34600
CF 20-1WBR	CF 20-1WBUUR	385	20	47	M 20×1.5	24	25.6	66.1	20700	34600

**CAM FOLLOWERS
CENTRALIZED LUBRICATION TYPE**

Metric Dimension

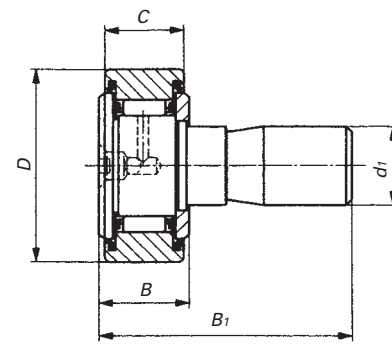


DIMENSION TABLE

IKO NUMBER		WEIGHT (g)	DIMENSIONS (mm)						BASIC DYNAMIC LOAD RATING (N)	BASIC STATIC LOAD RATING (N)
CROWNED OUTER RING	CYLINDRCAL OUTER RING		d1	D	G	C	MAX.B	MAX.B1		
CF-RU1-6	CF-FU1-6	18.5	6	16	M 6×1	11	12.2	28.2	3660	3650
CF-RU1-8	CF-FU1-8	28.5	8	19	M 8×1.25	11	12.2	32.2	4250	4740
CF-RU1-10	CF-FU1-10	45	10	22	M 10×1.25	12	13.2	36.2	5430	6890
CF-RU1-10-1	CF-FU1-10-1	60	10	26	M 10×1.25	12	13.2	36.2	5430	6890
CF-RU1-12	CF-FU1-12	95	12	30	M 12×1.5	14	15.2	40.2	7910	9790
CF-RU1-12-1	CF-FU1-12-1	105	12	32	M 12×1.5	14	15.2	40.2	7910	9790
CF-RU1-16	CF-FU1-16	170	16	35	M 16×1.5	18	19.6	52.1	12000	18300
CF-RU1-18	CF-FU1-18	250	18	40	M 18×1.5	20	21.6	58.1	14800	25200
CF-RU1-20	CF-FU1-20	460	20	52	M 20×1.5	24	25.6	66.1	20700	34600
CF-RU1-20-1	CF-FU1-20-1	385	20	47	M 20×1.5	24	25.6	66.1	20700	34600
CF-RU1-24	CF-FU1-24	815	24	62	M 24×1.5	29	30.6	80.1	30500	52000
CF-RU1-24-1	CF-FU1-24-1	1140	24	72	M 24×1.5	29	30.6	80.1	30500	52000
CF-RU1-30	CF-FU1-30	1870	30	80	M 30×1.5	35	37	100	45400	85100
CF-RU1-30-1	CF-FU1-30-1	2030	30	85	M 30×1.5	35	37	100	45400	85100
CF-RU1-30-2	CF-FU1-30-2	2220	30	90	M 30×1.5	35	37	100	45400	85100

**CAM FOLLOWERS
EASY MOUNTING TYPE**

Metric Dimension



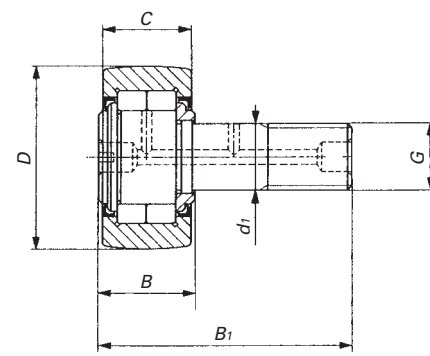
CF-SFU

DIMENSION TABLE

IKO NUMBER	WEIGHT (g)	DIMENSIONS (mm)					BASIC DYNAMIC LOAD RATING (N)	BASIC STATIC LOAD RATING (N)
		d1	D	C	MAX.B	MAX.B1		
CF-SFU-6	19.5	6	16	11	12.2	32	3660	3650
CF-SFU-8	29	8	19	11	12.2	32	4250	4740
CF-SFU-10	44	10	22	12	13.2	33	5430	6890
CF-SFU-10-1	59	10	26	12	13.2	33	5430	6890
CF-SFU-12	94	12	30	14	15.2	35	7910	9790
CF-SFU-12-1	104	12	32	14	15.2	35	7910	9790
CF-SFU-16	164	16	35	18	19.6	44.5	12000	18300
CF-SFU-18	235	18	40	20	21.6	46.5	14800	25200
CF-SFU-20	435	20	52	24	25.6	50.5	20700	34600
CF-SFU-20-1	360	20	47	24	25.6	50.5	20700	34600

**CYLINDRICAL ROLLER
CAM FOLLOWERS**

Metric Dimension



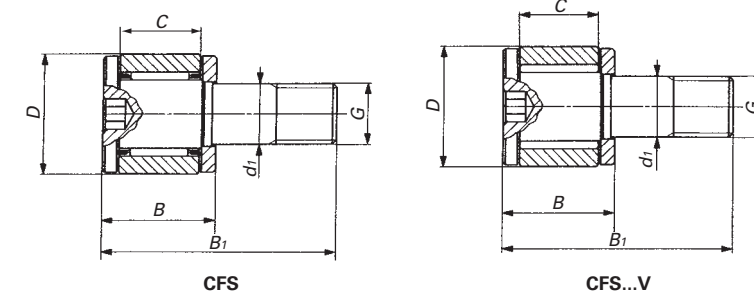
NUCF...R

DIMENSION TABLE

IKO NUMBER	WEIGHT (g)	DIMENSIONS (mm)						BASIC DYNAMIC LOAD RATING (N)	BASIC STATIC LOAD RATING (N)	INA		MCGILL	
		d1	D	G	C	MAX.B	MAX.B1			CYLINDRICAL OUTER RING NUKR..X	CROWNED OUTER RING NUKR	CYLINDRICAL OUTER RING MCFD..X	CROWNED OUTER RING MCFD
NUCF10R	44	10	22	M 10×1.25	12	13.2	36.2	10400	11500	—	—	—	—
NUCF10-1R	58	10	26	M 10×1.25	12	13.2	36.2	10400	11500	—	—	—	—
NUCF12R	86	12	30	M 12×1.5	14	15.2	40.2	14000	13400	—	—	—	—
NUCF12-1R	97	12	32	M 12×1.5	14	15.2	40.2	14000	13400	—	—	—	—
NUCF16R	167	16	35	M 16×1.5	18	19.6	52.1	23400	27300	NUKR 35 X	NUKR 35	MCFD 35 X	MCFD 35
NUCF18R	244	18	40	M 18×1.5	20	21.6	58.1	25200	30900	NUKR 40 X	NUKR 40	MCFD 40 X	MCFD 40
NUCF20R	457	20	52	M 20×1.5	24	25.6	66.1	43100	58100	NUKR 52 X	NUKR 52	MCFD 52 X	MCFD 52
NUCF20-1R	384	20	47	M 20×1.5	24	25.6	66.1	38900	49000	NUKR 47 X	NUKR 47	MCFD 47 X	MCFD 47
NUCF24R	789	24	62	M 24×1.5	29	30.6	80.1	58200	75300	NUKR 62 X	NUKR 62	MCFD 62 X	MCFD 62
NUCF24-1R	1020	24	72	M 24×1.5	29	30.6	80.1	63900	88800	NUKR 72 X	NUKR 72	MCFD 72 X	MCFD 72
NUCF30R	1600	30	80	M 30×1.5	35	37	100	90300	121000	NUKR 80 X	NUKR 80	MCFD 80 X	MCFD 80
NUCF30-2R	1970	30	90	M 30×1.5	35	37	100	90300	121000	NUKR 90 X	NUKR 90	MCFD 90 X	MCFD 90

**CAM FOLLOWERS
MINIATURE TYPE**

Metric Dimension

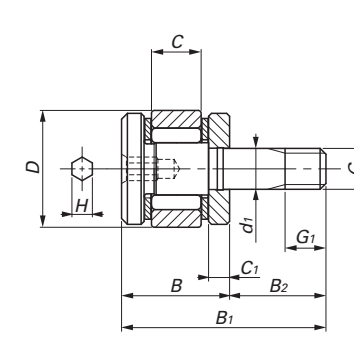


DIMENSION TABLE

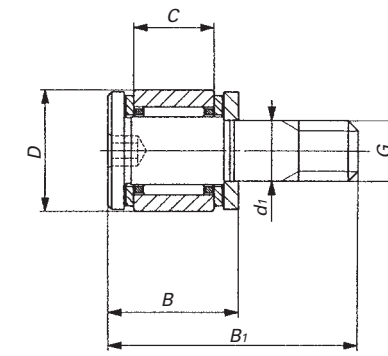
IKO NUMBER		WEIGHT (g)	DIMENSIONS (mm)						BASIC DYNAMIC LOAD RATING (N)	BASIC STATIC LOAD RATING (N)
CAGED TYPE	FULL.COMP		d1	D	G	C	MAX.B	MAX.B1		
CFS 2		0.6	2	4.5	M 2×0.4	2.5	4	8	288	202
—	CFS 2 V	0.6	2	4.5	M 2×0.4	2.5	4	8	768	734
CFS 2.5		1	2.5	5	M 2.5×0.45	3	4.5	9.5	428	351
—	CFS 2.5 V	1	2.5	5	M 2.5×0.45	3	4.5	9.5	1000	1080
CFS 3		2	3	6	M 3×0.5	4	5.5	11.5	629	611
—	CFS 3 V	2	3	6	M 3×0.5	4	5.5	11.5	1420	1790
CFS 4		4	4	8	M 4×0.7	5	7	15	1120	1120
—	CFS 4 V	4	4	8	M 4×0.7	5	7	15	2370	3000
CFS 5		7	5	10	M 5×0.8	6	8	18	1570	1850
—	CFS 5 V	7	5	10	M 5×0.8	6	8	18	3180	4700
CFS 6		13	6	12	M 6×1	7	9.5	21.5	2090	2200
—	CFS 6 V	13	6	12	M 6×1	7	9.5	21.5	4610	6250

**CAM FOLLOWERS
MINIATURE THRUST DISK TYPE**

Metric Dimension



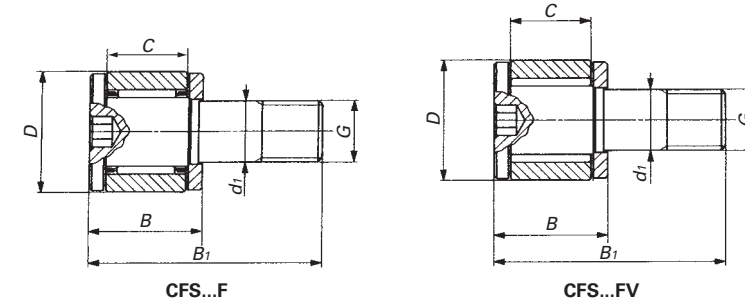
CFS1.4...WV



CFS...W

DIMENSION TABLE

IKO NUMBER		WEIGHT (g)	DIMENSIONS (mm)						BASIC DYNAMIC LOAD RATING (N)	BASIC STATIC LOAD RATING (N)
CAGED TYPE	FULL.COMP		d1	D	G	C	MAX.B	MAX.B1		
—	CFS 1.4WV	0.35	1.4	4	M 1.4×0.3	1.7	3.7	7	481	385
CFS 2W	—	0.6	2	4.5	M 2×0.4	2.5	4.5	8.5	288	202
CFS 2.5W	—	1	2.5	5	M 2.5×0.45	3	5	10	428	351
CFS 3W	—	2	3	6	M 3×0.5	4	6.5	12.5	629	611
CFS 4W	—	4	4	8	M 4×0.7	5	8	16	1120	1120
CFS 5W	—	7	5	10	M 5×0.8	6	9	19	1570	1850
CFS 6W	—	13	6	12	M 6×1	7	10.5	22.5	2090	2200

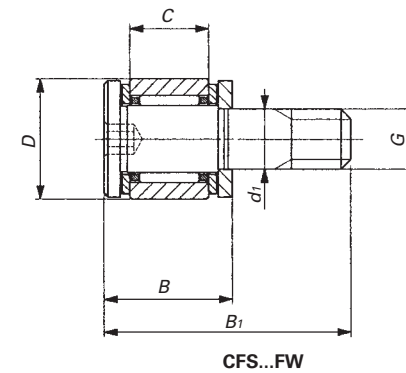


DIMENSION TABLE

IKO NUMBER		WEIGHT (g)	DIMENSIONS (mm)						BASIC DYNAMIC LOAD RATING (N)	BASIC STATIC LOAD RATING (N)
CAGED TYPE	FULL. COMP		d1	D	G	C	MAX.B	MAX.B1		
CFS 2 F		0.6	2	4.5	M 2×0.4	2.5	4	8	288	202
—	CFS 2 FV	0.6	2	4.5	M 2×0.4	2.5	4	8	768	734
CFS 2.5 F		1	2.5	5	M 2.5×0.45	3	4.5	9.5	342	281
—	CFS 2.5 FV	1	2.5	5	M 2.5×0.45	3	4.5	9.5	800	862
CFS 3 F		2	3	6	M 3×0.5	4	5.5	11.5	504	488
—	CFS 3 FV	2	3	6	M 3×0.5	4	5.5	11.5	1140	1430
CFS 4 F		4	4	8	M 4×0.7	5	7	15	897	894
—	CFS 4 FV	4	4	8	M 4×0.7	5	7	15	1900	2400
CFS 5 F		7	5	10	M 5×0.8	6	8	18	1250	1480
—	CFS 5 FV	7	5	10	M 5×0.8	6	8	18	2540	3760
CFS 6 F		13	6	12	M 6×1	7	9.5	21.5	1670	1760
—	CFS 6 FV	13	6	12	M 6×1	7	9.5	21.5	3690	5000

**CAM FOLLOWERS
STAINLESS MINIATURE THRUST DISK TYPE**

Metric Dimension

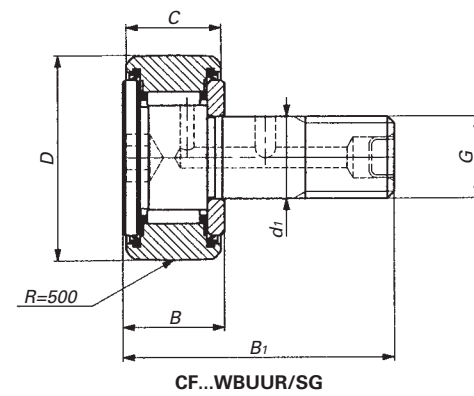


DIMENSION TABLE

IKO NUMBER	WEIGHT (g)	DIMENSIONS (mm)						BASIC DYNAMIC LOAD RATING (N)	BASIC STATIC LOAD RATING (N)
		d1	D	G	C	MAX.B	MAX.B1		
CFS 2FW	0.6	2	4.5	M 2×0.4	2.5	4.5	8.5	230	161
CFS 2.5FW	1	2.5	5	M 2.5×0.45	3	5	10	342	281
CFS 3FW	2	3	6	M 3×0.5	4	6.5	12.5	504	488
CFS 4FW	4	4	8	M 4×0.7	5	8	16	897	894
CFS 5FW	7	5	10	M 5×0.8	6	9	19	1250	1480
CFS 6FW	13	6	12	M 6×1	7	10.5	22.5	1670	1760

**C-LUBE
CAM FOLLOWERS**

Metric Dimension

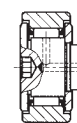


DIMENSION TABLE

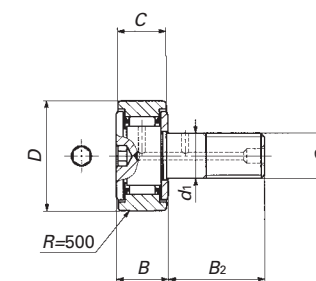
IKO NUMBER	WEIGHT (g)	DIMENSIONS (mm)						BASIC DYNAMIC LOAD RATING (N)	BASIC STATIC LOAD RATING (N)
		d1	D	G	C	MAX.B	MAX.B1		
CF 5WBUUR/SG	10.3	5	13	M 5×0.8	9	10	23	2520	2140
CF 6WBUUR/SG	18.5	6	16	M 6×1	11	12.2	28.2	3660	3650
CF 8WBUUR/SG	28.5	8	19	M 8×1.25	11	12.2	32.2	4250	4740
CF 10WBUUR/SG	45	10	22	M 10×1.25	12	13.2	36.2	5430	6890
CF 10-1WBUUR/SG	60	10	26	M 10×1.25	12	13.2	36.2	5430	6890
CF 12WBUUR/SG	95	12	30	M 12×1.5	14	15.2	40.2	7910	9790
CF 12WBUUR/SG	105	12	32	M 12×1.5	14	15.2	40.2	7910	9790
CF 16WBUUR/SG	170	16	35	M 16×1.5	18	19.6	52.1	12000	18300
CF 18WBUUR/SG	250	18	40	M 18×1.5	20	21.6	58.1	14800	25200
CF 20WBUUR/SG	460	20	52	M 20×1.5	24	25.6	66.1	20700	34600
CF 20-1WBUUR/SG	385	20	47	M 20×1.5	24	25.6	66.1	20700	34600

CAM FOLLOWERS

Inch Dimension



CR..B



CR..BR

DIMENSION TABLE

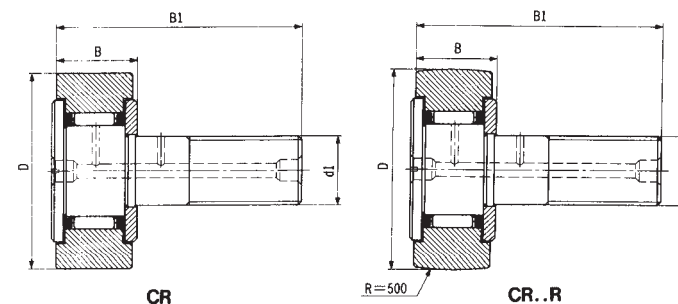
INTERCHANGE TABLE

IKO NUMBER CYLINDRICAL OUTER RING CR..B	IKO NUMBER CROWNED OUTER RING CR..BR	WEIGHT (g)	DIMENSIONS									BASIC DYNAMIC LOAD RATING (N)	BASIC STATIC LOAD RATING (N)	INA	
			d1		D		THREAD G UNF	B		B2				CYLINDRICAL OUTER RING CFC..SK	CROWNED OUTER RING CFC..YSK
			inch	mm	inch	mm		inch	mm	inch	mm				
CR 8 B	CR 8 BR	9	—	4.826	1/2	12.700	NO. 10-32	3/8	9.525	1/2	12.700	2520	2140	—	—
CR 8-1 B	CR 8-1 BR	10	—	4.826	1/2	12.700	NO. 10-32	13/32	10.319	5/8	15.875	2520	2140	CFC 8-1 SK	CFC 8-1 YSK
CR 10 B	CR 10 BR	19	1/4	6.350	5/8	15.875	1/4-28	7/16	11.112	5/8	15.875	3650	3670	—	—
CR 10-1 B	CR 10-1 BR	21	1/4	6.350	5/8	15.875	1/4-28	15/32	11.906	3/4	19.050	3650	3670	CFC 10-1 SK	CFC 10-1 YSK
CR 12 B	CR 12 BR	35	3/8	9.525	3/4	19.050	3/8-24	17/32	13.494	7/8	22.225	4420	5110	CFC 12 SK	CFC 12 YSK
CR 14 B	CR 14 BR	46	3/8	9.525	7/8	22.225	3/8-24	17/32	13.494	7/8	22.225	4790	5810	CFC 14 SK	CFC 14 YSK
CR 16 B	CR 16 BR	73	7/16	11.112	1	25.400	7/16-20	21/32	16.669	1	25.400	8810	10800	CFC 16 SK	CFC 16 YSK
CR 18 B	CR 18 BR	88	7/16	11.112	1 1/8	28.575	7/16-20	21/32	16.669	1	25.400	9180	11600	CFC 18 SK	CFC 18 YSK
CR 20 B	CR 20 BR	132	1/2	12.700	1 1/4	31.750	1/2-20	25/32	19.844	1 1/4	31.750	14200	16000	CFC 20 SK	CFC 20 YSK
CR 22 B	CR 22 BR	157	1/2	12.700	1 3/8	34.925	1/2-20	25/32	19.844	1 1/4	31.750	14200	16000	CFC 22 SK	CFC 22 YSK
CR 24 B	CR 24 BR	225	5/8	15.875	1 1/2	38.100	5/8-18	29/32	23.019	1 1/2	38.100	18600	24300	CFC 24 SK	CFC 24 YSK
CR 26 B	CR 26 BR	260	5/8	15.875	1 5/8	41.275	5/8-18	29/32	23.019	1 1/2	38.100	18600	24300	CFC 26 SK	CFC 26 YSK
CR 28 B	CR 28 BR	365	3/4	19.050	1 3/4	44.450	3/4-16	1 1/32	26.194	1 3/4	44.450	25100	38200	CFC 28 SK	CFC 28 YSK
CR 30 B	CR 30 BR	410	3/4	19.050	1 7/8	47.625	3/4-16	1 1/32	26.194	1 3/4	44.450	25100	38200	CFC 30 SK	CFC 30 YSK
CR 32 B	CR 32 BR	615	7/8	22.225	2	50.800	7/8-14	1 1/32	32.544	2	50.800	32500	63900	CFC 32 SK	CFC 32 YSK
CR 36 B	CR 36 BR	750	7/8	22.225	2 1/4	57.150	7/8-14	1 1/32	32.544	2	50.800	32500	63900	CFC 36 SK	CFC 36 YSK

Remark : Outside dia. 1/2" and 5/8" : No oil holes in the threaded end

CAM FOLLOWERS

Inch Dimension



DIMENSION TABLE

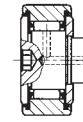
INTERCHANGE TABLE

IKO NUMBER CYLINDRICAL OUTER RING CR	IKO NUMBER CROWNED OUTER RING CR..R	WEIGHT (g)	DIMENSIONS									BASIC DYNAMIC LOAD RATING (N)	BASIC STATIC LOAD RATING (N)	INA	
			d1		D		THREAD	B		B1				CYLINDRICAL OUTER RING CFC	CROWNED OUTER RING CFC..Y
			inch	mm	inch	mm	UNF	inch	mm	inch	mm				
CR 8	CR 8 R	9	—	4.826	1/2	12.700	NO. 10-32	3/8	9.525	7/8	22.225	2520	2140	—	—
CR 8-1	CR 8-1 R	10	—	4.826	1/2	12.700	NO. 10-32	13/32	10.319	1 1/32	26.194	2520	2140	CFC 8-1	CFC 8-1 Y
CR 10	CR 10 R	19	1/4	6.350	5/8	15.875	1/4-28	7/16	11.112	1 1/16	26.988	3650	3670	—	—
CR 10-1	CR 10-1 R	21	1/4	6.350	5/8	15.875	1/4-28	15/32	11.906	1 7/32	30.956	3650	3670	CFC 10-1	CFC 10-1 Y
CR 12	CR 12 R	35	3/8	9.525	3/4	19.050	3/8-24	17/32	13.494	1 1/32	35.719	4420	5110	CFC 12	CFC 12 Y
CR 14	CR 14 R	46	3/8	9.525	7/8	22.225	3/8-24	17/32	13.494	1 13/32	35.719	4790	5810	CFC 14	CFC 14 Y
CR 16	CR 16 R	73	7/16	11.112	1	25.400	7/16-20	21/32	16.669	1 23/32	42.069	8810	10800	CFC 16	CFC 16 Y
CR 18	CR 18 R	88	7/16	11.112	1 1/8	28.575	7/16-20	21/32	16.669	1 23/32	42.069	9180	11600	CFC 18	CFC 18 Y
CR 20	CR 20 R	132	1/2	12.700	1 1/4	31.750	1/2-20	25/32	19.844	2 1/32	51.594	14200	16000	CFC 20	CFC 20 Y
CR 22	CR 22 R	157	1/2	12.700	1 3/8	34.925	1/2-20	25/32	19.844	2 1/32	51.594	14200	16000	CFC 22	CFC 22 Y
CR 24	CR 24 R	225	5/8	15.875	1 1/2	38.100	5/8-18	29/32	23.019	2 13/32	61.119	18600	24300	CFC 24	CFC 24 Y
CR 26	CR 26 R	260	5/8	15.875	1 5/8	41.275	5/8-18	29/32	23.019	2 13/32	61.119	18600	24300	CFC 26	CFC 26 Y
CR 28	CR 28 R	365	3/4	19.050	1 3/4	44.450	3/4-16	1 1/32	26.194	2 25/32	70.644	25100	38200	CFC 28	CFC 28 Y
CR 30	CR 30 R	410	3/4	19.050	1 7/8	47.625	3/4-16	1 1/32	26.194	2 25/32	70.644	25100	38200	CFC 30	CFC 30 Y
CR 32	CR 32 R	615	7/8	22.225	2	50.800	7/8-14	1 9/32	32.544	3 9/32	83.344	32500	63900	CFC 32	CFC 32 Y
CR 36	CR 36 R	750	7/8	22.225	2 1/4	57.150	7/8-14	1 9/32	32.544	3 9/32	83.344	32500	63900	CFC 36	CFC 36 Y

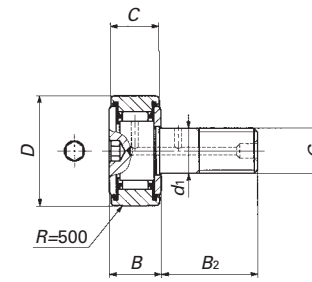
Remark : Outside dia. 1/2" and 5/8" : No oil holes in the threaded end

CAM FOLLOWERS

Inch Dimension



CR..BUU



CR..BUUR

DIMENSION TABLE

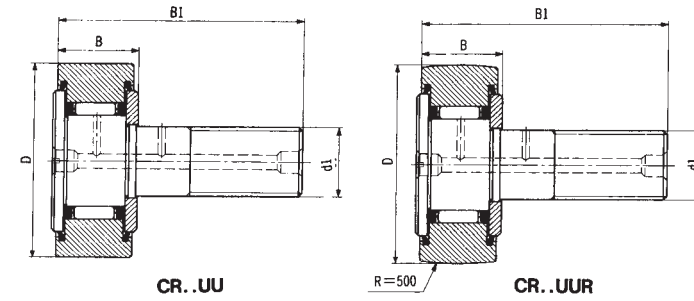
INTERCHANGE TABLE

IKO NUMBER CYLINDRICAL OUTER RING CR..BUU	IKO NUMBER CROWNED OUTER RING CR..BUUR	WEIGHT (g)	DIMENSIONS								BASIC DYNAMIC LOAD RATING (N)	BASIC STATIC LOAD RATING (N)	INA		
			d1		D		THREAD G UNF	B		B2			CYLINDRICAL OUTER RING CFC..PPSK	CROWNED OUTER RING CFC..PPYSK	
			inch	mm	inch	mm		inch	mm	inch	mm				
CR 8 BUU	CR 8 BUUR	9	—	4.826	1/2	12.700	NO. 10-32	3/8	9.525	1/2	12.700	2520	2140	—	—
CR 8-1 BUU	CR 8-1 BUUR	10	—	4.826	1/2	12.700	NO. 10-32	13/32	10.319	5/8	15.875	2520	2140	CFC 8-1 PPSK	CFC 8-1 PPYSK
CR 10 BUU	CR 10 BUUR	19	1/4	6.350	5/8	15.875	1/4-28	7/16	11.112	5/8	15.875	3650	3670	—	—
CR 10-1 BUU	CR 10-1 BUUR	21	1/4	6.350	5/8	15.875	1/4-28	15/32	11.906	3/4	19.050	3650	3670	CFC 10-1 PPSK	CFC 10-1 PPYSK
CR 12 BUU	CR 12 BUUR	35	3/8	9.525	3/4	19.050	3/8-24	17/32	13.494	7/8	22.225	4420	5110	CFC 12 PPSK	CFC 12 PPYSK
CR 14 BUU	CR 14 BUUR	46	3/8	9.525	7/8	22.225	3/8-24	17/32	13.494	7/8	22.225	4790	5810	CFC 14 PPSK	CFC 14 PPYSK
CR 16 BUU	CR 16 BUUR	73	7/16	11.112	1	25.400	7/16-20	21/32	16.669	1	25.400	8810	10800	CFC 16 PPSK	CFC 16 PPYSK
CR 18 BUU	CR 18 BUUR	88	7/16	11.112	1 1/8	28.575	7/16-20	21/32	16.669	1	25.400	9180	11600	CFC 18 PPSK	CFC 18 PPYSK
CR 20 BUU	CR 20 BUUR	132	1/2	12.700	1 1/4	31.750	1/2-20	25/32	19.844	1 1/4	31.750	14200	16000	CFC 20 PPSK	CFC 20 PPYSK
CR 22 BUU	CR 22 BUUR	157	1/2	12.700	1 3/8	34.925	1/2-20	25/32	19.844	1 1/4	31.750	14200	16000	CFC 22 PPSK	CFC 22 PPYSK
CR 24 BUU	CR 24 BUUR	225	5/8	15.875	1 1/2	38.100	5/8-18	29/32	23.019	1 1/2	38.100	18600	24300	CFC 24 PPSK	CFC 24 PPYSK
CR 26 BUU	CR 26 BUUR	260	5/8	15.875	1 5/8	41.275	5/8-18	29/32	23.019	1 1/2	38.100	18600	24300	CFC 26 PPSK	CFC 26 PPYSK
CR 28 BUU	CR 28 BUUR	365	3/4	19.050	1 3/4	44.450	3/4-16	1 1/32	26.194	1 3/4	44.450	25100	38200	CFC 28 PPSK	CFC 28 PPYSK
CR 30 BUU	CR 30 BUUR	410	3/4	19.050	1 7/8	47.625	3/4-16	1 1/32	26.194	1 3/4	44.450	25100	38200	CFC 30 PPSK	CFC 30 PPYSK
CR 32 BUU	CR 32 BUUR	615	7/8	22.225	2	50.800	7/8-14	1 9/32	32.544	2	50.800	32500	63900	CFC 32 PPSK	CFC 32 PPYSK
CR 36 BUU	CR 36 BUUR	750	7/8	22.225	2 1/4	57.150	7/8-14	1 9/32	32.544	2	50.800	32500	63900	CFC 36 PPSK	CFC 36 PPYSK

Remark : Outside dia. 1/2" and 5/8" : No oil holes in the threaded end

CAM FOLLOWERS

Inch Dimension



DIMENSION TABLE

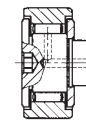
INTERCHANGE TABLE

IKO NUMBER CYLINDRICAL OUTER RING CR..UU	IKO NUMBER CROWNED OUTER RING CR..UUR	WEIGHT (g)	DIMENSIONS									BASIC DYNAMIC LOAD RATING (N)	BASIC STATIC LOAD RATING (N)	INA	
			d1		D		THREAD	B		B1				CYLINDRICAL OUTER RING CFC..PP	CROWNED OUTER RING CFC..PPY
			inch	mm	inch	mm	UNF	inch	mm	inch	mm				
CR 8 UU	CR 8 UUR	9	—	4.826	1/2	12.700	NO. 10-32	3/8	9.525	7/8	22.225	2520	2140	—	—
CR 8-1 UU	CR 8-1 UUR	10	—	4.826	1/2	12.700	NO. 10-32	13/32	10.319	1 1/32	26.194	2520	2140	CFC 8-1 PP	CFC 8-1 PPY
CR 10 UU	CR 10 UUR	19	1/4	6.350	5/8	15.875	1/4-28	7/16	11.112	1 1/16	26.988	3650	3670	—	—
CR 10-1 UU	CR 10-1 UUR	21	1/4	6.350	5/8	15.875	1/4-28	15/32	11.906	1 7/32	30.956	3650	3670	CFC 10-1 PP	CFC 10-1 PPY
CR 12 UU	CR 12 UUR	35	3/8	9.525	3/4	19.050	3/8-24	17/32	13.494	1 1/32	35.719	4420	5110	CFC 12 PP	CFC 12 PPY
CR 14 UU	CR 14 UUR	46	3/8	9.525	7/8	22.225	3/8-24	17/32	13.494	1 1/32	35.719	4790	5810	CFC 14 PP	CFC 14 PPY
CR 16 UU	CR 16 UUR	73	7/16	11.112	1	25.400	7/16-20	21/32	16.669	1 2/32	42.069	8810	10800	CFC 16 PP	CFC 16 PPY
CR 18 UU	CR 18 UUR	88	7/16	11.112	1 1/8	28.575	7/16-20	21/32	16.669	1 2/32	42.069	9180	11600	CFC 18 PP	CFC 18 PPY
CR 20 UU	CR 20 UUR	132	1/2	12.700	1 1/4	31.750	1/2-20	25/32	19.844	2 1/32	51.594	14200	16000	CFC 20 PP	CFC 20 PPY
CR 22 UU	CR 22 UUR	157	1/2	12.700	1 3/8	34.925	1/2-20	25/32	19.844	2 1/32	51.594	14200	16000	CFC 22 PP	CFC 22 PPY
CR 24 UU	CR 24 UUR	225	5/8	15.875	1 1/2	38.100	5/8-18	29/32	23.019	2 13/32	61.119	18600	24300	CFC 24 PP	CFC 24 PPY
CR 26 UU	CR 26 UUR	260	5/8	15.875	1 5/8	41.275	5/8-18	29/32	23.019	2 13/32	61.119	18600	24300	CFC 26 PP	CFC 26 PPY
CR 28 UU	CR 28 UUR	365	3/4	19.050	1 3/4	44.450	3/4-16	1 1/32	26.194	2 5/32	70.644	25100	38200	CFC 28 PP	CFC 28 PPY
CR 30 UU	CR 30 UUR	410	3/4	19.050	1 7/8	47.625	3/4-16	1 1/32	26.194	2 5/32	70.644	25100	38200	CFC 30 PP	CFC 30 PPY
CR 32 UU	CR 32 UUR	615	7/8	22.225	2	50.800	7/8-14	1 9/32	32.544	3 9/32	83.344	32500	63900	CFC 32 PP	CFC 32 PPY
CR 36 UU	CR 36 UUR	750	7/8	22.225	2 1/4	57.150	7/8-14	1 9/32	32.544	3 9/32	83.344	32500	63900	CFC 36 PP	CFC 36 PPY

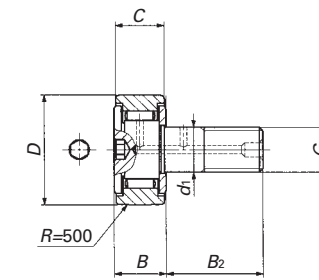
Remark : Outside dia. 1/2" and 5/8" : No oil holes in the threaded end

CAM FOLLOWERS

Inch Dimension



CR..VB



CR..VBR

DIMENSION TABLE

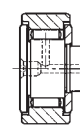
INTERCHANGE TABLE

IKO NUMBER CYLINDRICAL OUTER RING CR..VB	IKO NUMBER CROWNED OUTER RING CR..VBR	WEIGHT (g)	DIMENSIONS									BASIC DYNAMIC LOAD RATING (N)	BASIC STATIC LOAD RATING (N)	TORRINGTON		INA		MCGILL	
			d1 inch	d1 mm	D inch	D mm	THREAD G UNF	B inch	B mm	B2 inch	B2 mm			CYLINDRICAL OUTER RING CRB	CROWNED OUTER RING CRBC	CYLINDRICAL OUTER RING CF..SK	CROWNED OUTER RING CF..YSK	CYLINDRICAL OUTER RING CF..B	CROWNED OUTER RING CCF..B
CR 8 VB	CR 8 VBR	9	—	4.826	1/2	12.700	NO. 10-32	3/8	9.525	1/2	12.700	4260	4750	CRB-8	CRBC-8	—	—	CF-1/2-N-B	CCF-1/2-N-B
CR 8-1 VB	CR 8-1 VBR	10	—	4.826	1/2	12.700	NO. 10-32	13/32	10.319	5/8	15.875	4710	5410	CRB-8-1	CRBC-8-1	CF 8-1 SK	CF 8-1 YSK	CF-1/2-B	CCF-1/2-B
CR 10 VB	CR 10 VBR	19	1/4	6.350	5/8	15.875	1/4-28	7/16	11.112	5/8	15.875	5830	7660	CRB-10	CRBC-10	—	—	CF-5/8-N-B	CCF-5/8-N-B
CR 10-1 VB	CR 10-1 VBR	21	1/4	6.350	5/8	15.875	1/4-28	15/32	11.906	3/4	19.050	6340	8530	CRB-10-1	CRBC-10-1	CF 10-1 SK	CF 10-1 YSK	CF-5/8-B	CCF-5/8-B
CR 12 VB	CR 12 VBR	35	3/8	9.525	3/4	19.050	3/8-24	17/32	13.494	7/8	22.225	8710	12300	CRB-12	CRBC-12	CF 12 SK	CF 12 YSK	CF-3/4-B	CCF-3/4-B
CR 14 VB	CR 14 VBR	46	3/8	9.525	7/8	22.225	3/8-24	17/32	13.494	7/8	22.225	8710	12300	CRB-14	CRBC-14	CF 14 SK	CF 14 YSK	CF-7/8-B	CCF-7/8-B
CR 16 VB	CR 16 VBR	73	7/16	11.112	1	25.400	7/16-20	21/32	16.669	1	25.400	13100	22700	CRB-16	CRBC-16	CF 16 SK	CF 16 YSK	CF-1-B	CCF-1-B
CR 18 VB	CR 18 VBR	88	7/16	11.112	1 1/8	28.575	7/16-20	21/32	16.669	1	25.400	13100	22700	CRB-18	CRBC-18	CF 18 SK	CF 18 YSK	CF-1 1/8-B	CCF-1 1/8-B
CR 20 VB	CR 20 VBR	132	1/2	12.700	1 1/4	31.750	1/2-20	25/32	19.844	1 1/4	31.750	23600	31700	CRB-20	CRBC-20	CF 20 SK	CF 20 YSK	CF-1 1/4-B	CCF-1 1/4-B
CR 22 VB	CR 22 VBR	157	1/2	12.700	1 3/8	34.925	1/2-20	25/32	19.844	1 1/4	31.750	23600	31700	CRB-22	CRBC-22	CF 22 SK	CF 22 YSK	CF-1 3/8-B	CCF-1 3/8-B
CR 24 VB	CR 24 VBR	225	5/8	15.875	1 1/2	38.100	5/8-18	29/32	23.019	1 1/2	38.100	28200	40100	CRB-24	CRBC-24	CF 24 SK	CF 24 YSK	CF-1 1/2-B	CCF-1 1/2-B
CR 26 VB	CR 26 VBR	260	5/8	15.875	1 5/8	41.275	5/8-18	29/32	23.019	1 1/2	38.100	28200	40100	CRB-26	CRBC-26	CF 26 SK	CF 26 YSK	CF-1 5/8-B	CCF-1 5/8-B
CR 28 VB	CR 28 VBR	365	3/4	19.050	1 3/4	44.450	3/4-16	1 1/32	26.194	1 3/4	44.450	35300	55600	CRB-28	CRBC-28	CF 28 SK	CF 28 YSK	CF-1 3/4-B	CCF-1 3/4-B
CR 30 VB	CR 30 VBR	410	3/4	19.050	1 7/8	47.625	3/4-16	1 1/32	26.194	1 3/4	44.450	35300	55600	CRB-30	CRBC-30	CF 30 SK	CF 30 YSK	CF-1 7/8-B	CCF-1 7/8-B
CR 32 VB	CR 32 VBR	615	7/8	22.225	2	50.800	7/8-14	1 1/32	32.544	2	50.800	45700	80600	CRB-32	CRBC-32	CF 32 SK	CF 32 YSK	CF-2-B	CCF-2-B
CR 36 VB	CR 36 VBR	750	7/8	22.225	2 1/4	57.150	7/8-14	1 1/32	32.544	2	50.800	45700	80600	CRB-36	CRBC-36	CF 36 SK	CF 36 YSK	CF-2 1/4-B	CCF-2 1/4-B

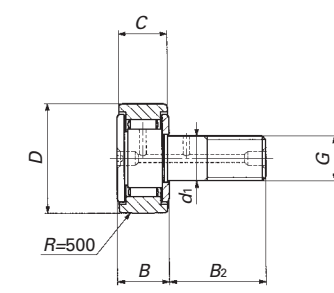
Remark : Outside dia. 1/2" and 5/8" : No oil holes in the threaded end

CAM FOLLOWERS

Inch Dimension



CR..V



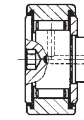
CR..VR

DIMENSION TABLE

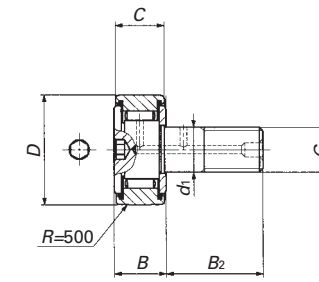
INTERCHANGE TABLE

IKO NUMBER CYLINDRICAL OUTER RING CR..V	IKO NUMBER CROWNED OUTER RING CR..VR	WEIGHT (g)	DIMENSIONS									BASIC DYNAMIC LOAD RATING (N)	BASIC STATIC LOAD RATING (N)	TORRINGTON		INA		MCGILL	
			d1 inch mm	D inch mm	THREAD G UNF	B inch mm	B2 inch mm	CYLINDRICAL OUTER RING CR	CROWNED OUTER RING CRC	CYLINDRICAL OUTER RING CF	CROWNED OUTER RING CF..Y			CYLINDRICAL OUTER RING CF	CROWNED OUTER RING CCF				
CR 8 V	CR 8 VR	9	—	4.826	1/2	12.700	NO. 10-32	3/8	9.525	1/2	12.700	4260	4750	CR-8	CRC-8	—	—	CF-1/2-N	CCF-1/2-N
CR 8-1 V	CR 8-1 VR	10	—	4.826	1/2	12.700	NO. 10-32	13/32	10.319	5/8	15.875	4710	5410	CR-8-1	CRC-8-1	CF 8-1	CF 8-1 Y	CF-1/2	CCF-1/2
CR 10 V	CR 10 VR	19	1/4	6.350	5/8	15.875	1/4-28	7/16	11.112	5/8	15.875	5830	7660	CR-10	CRC-10	—	—	CF-5/8-N	CCF-5/8-N
CR 10-1 V	CR 10-1 VR	21	1/4	6.350	5/8	15.875	1/4-28	15/32	11.906	3/4	19.050	6340	8530	CR-10-1	CRC-10-1	CF 10-1	CF 10-1 Y	CF-5/8	CCF-5/8
CR 12 V	CR 12 VR	35	3/8	9.525	3/4	19.050	3/8-24	17/32	13.494	7/8	22.225	8710	12300	CR-12	CRC-12	CF 12	CF 12 Y	CF-3/4	CCF-3/4
CR 14 V	CR 14 VR	46	3/8	9.525	7/8	22.225	3/8-24	17/32	13.494	7/8	22.225	8710	12300	CR-14	CRC-14	CF 14	CF 14 Y	CF-7/8	CCF-7/8
CR 16 V	CR 16 VR	73	7/16	11.112	1	25.400	7/16-20	21/32	16.669	1	25.400	13100	22700	CR-16	CRC-16	CF 16	CF 16 Y	CF-1	CCF-1
CR 18 V	CR 18 VR	88	7/16	11.112	1 1/8	28.575	7/16-20	21/32	16.669	1	25.400	13100	22700	CR-18	CRC-18	CF 18	CF 18 Y	CF-1 1/8	CCF-1 1/8
CR 20 V	CR 20 VR	132	1/2	12.700	1 1/4	31.750	1/2-20	25/32	19.844	1 1/4	31.750	23600	31700	CR-20	CRC-20	CF 20	CF 20 Y	CF-1 1/4	CCF-1 1/4
CR 22 V	CR 22 VR	157	1/2	12.700	1 3/8	34.925	1/2-20	25/32	19.844	1 1/4	31.750	23600	31700	CR-22	CRC-22	CF 22	CF 22 Y	CF-1 3/8	CCF-1 3/8
CR 24 V	CR 24 VR	225	5/8	15.875	1 1/2	38.100	5/8-18	29/32	23.019	1 1/2	38.100	28200	40100	CR-24	CRC-24	CF 24	CF 24 Y	CF-1 1/2	CCF-1 1/2
CR 26 V	CR 26 VR	260	5/8	15.875	1 5/8	41.275	5/8-18	29/32	23.019	1 1/2	38.100	28200	40100	CR-26	CRC-26	CF 26	CF 26 Y	CF-1 5/8	CCF-1 5/8
CR 28 V	CR 28 VR	365	3/4	19.050	1 3/4	44.450	3/4-16	1 1/32	26.194	1 3/4	44.450	35300	55600	CR-28	CRC-28	CF 28	CF 28 Y	CF-1 3/4	CCF-1 3/4
CR 30 V	CR 30 VR	410	3/4	19.050	1 7/8	47.625	3/4-16	1 1/32	26.194	1 3/4	44.450	35300	55600	CR-30	CRC-30	CF 30	CF 30 Y	CF-1 7/8	CCF-1 7/8
CR 32 V	CR 32 VR	615	7/8	22.225	2	50.800	7/8-14	1 1/32	32.544	2	50.800	45700	80600	CR-32	CRC-32	CF 32	CF 32 Y	CF-2	CCF-2
CR 36 V	CR 36 VR	750	7/8	22.225	2 1/4	57.150	7/8-14	1 1/32	32.544	2	50.800	45700	80600	CR-36	CRC-36	CF 36	CF 36 Y	CF-2 1/4	CCF-2 1/4

Remark : Outside dia. 1/2" and 5/8" : No oil holes in the threaded end



CR..VBUU



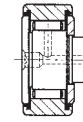
CR..VBUUR

DIMENSION TABLE

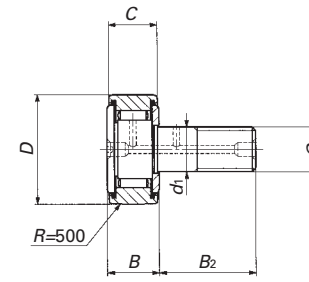
INTERCHANGE TABLE

IKO NUMBER CYLINDRICAL OUTER RING CR..VBUU	IKO NUMBER CROWNED OUTER RING CR..VBUUR	WEIGHT (g)	DIMENSIONS								BASIC DYNAMIC LOAD RATING (N)	BASIC STATIC LOAD RATING (N)	TORRINGTON		INA		MCGILL		
			d1	D	THREAD G UNF	B	B2	CYLINDRICAL OUTER RING CRSB	CROWNED OUTER RING CRSBC	CYLINDRICAL OUTER RING CF..PPSK			CROWNED OUTER RING CF..PPYSK	CYLINDRICAL OUTER RING CF..SB	CROWNED OUTER RING CCF..SB				
			inch	mm	inch	mm	G	inch	mm	inch	mm								
CR 8 VBUU	CR 8 VBUUR	9	—	4.826	1/2	12.700	NO. 10-32	3/8	9.525	1/2	12.700	4260	4750	CRSB-8	CRSBC-8	—	—	CF-1/2-N-SB	CCF-1/2-N-SB
CR 8-1 VBUU	CR 8-1 VBUUR	10	—	4.826	1/2	12.700	NO. 10-32	13/32	10.319	5/8	15.875	4710	5410	CRSB-8-1	CRSBC-8-1	CF 8-1 PPSK	CF 8-1 PPYSK	CF-1/2-SB	CCF-1/2-SB
CR 10 VBUU	CR 10 VBUUR	19	1/4	6.350	5/8	15.875	1/4-28	7/16	11.112	5/8	15.875	5830	7660	CRSB-10	CRSBC-10	—	—	CF-5/8-N-SB	CCF-5/8-N-SB
CR 10-1 VBUU	CR 10-1 VBUUR	21	1/4	6.350	5/8	15.875	1/4-28	15/32	11.906	3/4	19.050	6340	8530	CRSB-10-1	CRSBC-10-1	CF 10-1 PPSK	CF 10-1 PPYSK	CF-5/8-SB	CCF-5/8-SB
CR 12 VBUU	CR 12 VBUUR	35	3/8	9.525	3/4	19.050	3/8-24	17/32	13.494	7/8	22.225	8710	12300	CRSB-12	CRSBC-12	CF 12 PPSK	CF 12 PPYSK	CF-3/4-SB	CCF-3/4-SB
CR 14 VBUU	CR 14 VBUUR	46	3/8	9.525	7/8	22.225	3/8-24	17/32	13.494	7/8	22.225	8710	12300	CRSB-14	CRSBC-14	CF 14 PPSK	CF 14 PPYSK	CF-7/8-SB	CCF-7/8-SB
CR 16 VBUU	CR 16 VBUUR	73	7/16	11.112	1	25.400	7/16-20	21/32	16.669	1	25.400	13100	22700	CRSB-16	CRSBC-16	CF 16 PPSK	CF 16 PPYSK	CF-1-SB	CCF-1-SB
CR 18 VBUU	CR 18 VBUUR	88	7/16	11.112	1 1/8	28.575	7/16-20	21/32	16.669	1	25.400	13100	22700	CRSB-18	CRSBC-18	CF 18 PPSK	CF 18 PPYSK	CF-1 1/8-SB	CCF-1 1/8-SB
CR 20 VBUU	CR 20 VBUUR	132	1/2	12.700	1 1/4	31.750	1/2-20	25/32	19.844	1 1/4	31.750	23600	31700	CRSB-20	CRSBC-20	CF 20 PPSK	CF 20 PPYSK	CF-1 1/4-SB	CCF-1 1/4-SB
CR 22 VBUU	CR 22 VBUUR	157	1/2	12.700	1 3/8	34.925	1/2-20	25/32	19.844	1 1/4	31.750	23600	31700	CRSB-22	CRSBC-22	CF 22 PPSK	CF 22 PPYSK	CF-1 3/8-SB	CCF-1 3/8-SB
CR 24 VBUU	CR 24 VBUUR	225	5/8	15.875	1 1/2	38.100	5/8-18	23/32	23.019	1 1/2	38.100	28200	40100	CRSB-24	CRSBC-24	CF 24 PPSK	CF 24 PPYSK	CF-1 1/2-SB	CCF-1 1/2-SB
CR 26 VBUU	CR 26 VBUUR	260	5/8	15.875	1 5/8	41.275	5/8-18	23/32	23.019	1 1/2	38.100	28200	40100	CRSB-26	CRSBC-26	CF 26 PPSK	CF 26 PPYSK	CF-1 5/8-SB	CCF-1 5/8-SB
CR 28 VBUU	CR 28 VBUUR	365	3/4	19.050	1 3/4	44.450	3/4-16	1 1/32	26.194	1 3/4	44.450	35300	55600	CRSB-28	CRSBC-28	CF 28 PPSK	CF 28 PPYSK	CF-1 3/4-SB	CCF-1 3/4-SB
CR 30 VBUU	CR 30 VBUUR	410	3/4	19.050	1 7/8	47.625	3/4-16	1 1/32	26.194	1 3/4	44.450	35300	55600	CRSB-30	CRSBC-30	CF 30 PPSK	CF 30 PPYSK	CF-1 7/8-SB	CCF-1 7/8-SB
CR 32 VBUU	CR 32 VBUUR	615	7/8	22.225	2	50.800	7/8-14	1 1/32	32.544	2	50.800	45700	80600	CRSB-32	CRSBC-32	CF 32 PPSK	CF 32 PPYSK	CF-2-SB	CCF-2-SB
CR 36 VBUU	CR 36 VBUUR	750	7/8	22.225	2 1/4	57.150	7/8-14	1 1/32	32.544	2	50.800	45700	80600	CRSB-36	CRSBC-36	CF 36 PPSK	CF 36 PPYSK	CF-2 1/4-SB	CCF-2 1/4-SB

Remark : Outside dia. 1/2" and 5/8" : No oil holes in the threaded end



CR..VUU



CR..VUUR

DIMENSION TABLE

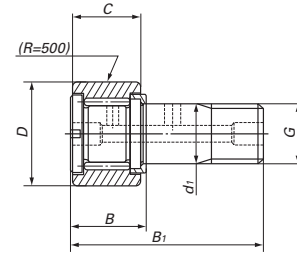
INTERCHANGE TABLE

IKO NUMBER CYLINDRICAL OUTER RING CR..VUU	IKO NUMBER CROWNED OUTER RING CR..VUUR	WEIGHT (g)	DIMENSIONS								BASIC DYNAMIC LOAD RATING (N)	BASIC STATIC LOAD RATING (N)	TORRINGTON		INA		MCGILL		
			d1 inch	d1 mm	D inch	D mm	THREAD G UNF	B inch	B mm	B2 inch			B2 mm	CYLINDRICAL OUTER RING CRS	CROWNED OUTER RING CRSC	CYLINDRICAL OUTER RING CF..PP	CROWNED OUTER RING CF..PPY	CYLINDRICAL OUTER RING CF..S	CROWNED OUTER RING CCF..S
CR 8 VUU	CR 8 VUUR	9	—	4.826	1/2	12.700	NO. 10-32	3/8	9.525	1/2	12.700	4260	4750	CRS-8	CRSC-8	—	—	CF-1/2-N-S	CCF-1/2-N-S
CR 8-1 VUU	CR 8-1 VUUR	10	—	4.826	1/2	12.700	NO. 10-32	13/32	10.319	5/8	15.875	4710	5410	CRS-8-1	CRSC-8-1	CF 8-1 PP	CF 8-1 PPY	CF-1/2-S	CCF-1/2-S
CR 10 VUU	CR 10 VUUR	19	1/4	6.350	5/8	15.875	1/4-28	7/16	11.112	5/8	15.875	5830	7660	CRS-10	CRSC-10	—	—	CF-5/8-N-S	CCF-5/8-N-S
CR 10-1 VUU	CR 10-1 VUUR	21	1/4	6.350	5/8	15.875	1/4-28	15/32	11.906	3/4	19.050	6340	8530	CRS-10-1	CRSC-10-1	CF 10-1 PP	CF 10-1 PPY	CF-5/8-S	CCF-5/8-S
CR 12 VUU	CR 12 VUUR	35	3/8	9.525	3/4	19.050	3/8-24	17/32	13.494	7/8	22.225	8710	12300	CRS-12	CRSC-12	CF 12 PP	CF 12 PPY	CF-3/4-S	CCF-3/4-S
CR 14 VUU	CR 14 VUUR	46	3/8	9.525	7/8	22.225	3/8-24	17/32	13.494	7/8	22.225	8710	12300	CRS-14	CRSC-14	CF 14 PP	CF 14 PPY	CF-7/8-S	CCF-7/8-S
CR 16 VUU	CR 16 VUUR	73	7/16	11.112	1	25.400	7/16-20	21/32	16.669	1	25.400	13100	22700	CRS-16	CRSC-16	CF 16 PP	CF 16 PPY	CF-1-S	CCF-1-S
CR 18 VUU	CR 18 VUUR	88	7/16	11.112	1 1/8	28.575	7/16-20	21/32	16.669	1	25.400	13100	22700	CRS-18	CRSC-18	CF 18 PP	CF 18 PPY	CF-1 1/8-S	CCF-1 1/8-S
CR 20 VUU	CR 20 VUUR	132	1/2	12.700	1 1/4	31.750	1/2-20	25/32	19.844	1 1/4	31.750	23600	31700	CRS-20	CRSC-20	CF 20 PP	CF 20 PPY	CF-1 1/4-S	CCF-1 1/4-S
CR 22 VUU	CR 22 VUUR	157	1/2	12.700	1 3/8	34.925	1/2-20	25/32	19.844	1 1/4	31.750	23600	31700	CRS-22	CRSC-22	CF 22 PP	CF 22 PPY	CF-1 3/8-S	CCF-1 3/8-S
CR 24 VUU	CR 24 VUUR	225	5/8	15.875	1 1/2	38.100	5/8-18	23/32	23.019	1 1/2	38.100	28200	40100	CRS-24	CRSC-24	CF 24 PP	CF 24 PPY	CF-1 1/2-S	CCF-1 1/2-S
CR 26 VUU	CR 26 VUUR	260	5/8	15.875	1 5/8	41.275	5/8-18	23/32	23.019	1 1/2	38.100	28200	40100	CRS-26	CRSC-26	CF 26 PP	CF 26 PPY	CF-1 5/8-S	CCF-1 5/8-S
CR 28 VUU	CR 28 VUUR	365	3/4	19.050	1 3/4	44.450	3/4-16	1 1/32	26.194	1 3/4	44.450	35300	55600	CRS-28	CRSC-28	CF 28 PP	CF 28 PPY	CF-1 3/4-S	CCF-1 3/4-S
CR 30 VUU	CR 30 VUUR	410	3/4	19.050	1 7/8	47.625	3/4-16	1 1/32	26.194	1 3/4	44.450	35300	55600	CRS-30	CRSC-30	CF 30 PP	CF 30 PPY	CF-1 7/8-S	CCF-1 7/8-S
CR 32 VUU	CR 32 VUUR	615	7/8	22.225	2	50.800	7/8-14	1 1/32	32.544	2	50.800	45700	80600	CRS-32	CRSC-32	CF 32 PP	CF 32 PPY	CF-2-S	CCF-2-S
CR 36 VUU	CR 36 VUUR	750	7/8	22.225	2 1/4	57.150	7/8-14	1 1/32	32.544	2	50.800	45700	80600	CRS-36	CRSC-36	CF 36 PP	CF 36 PPY	CF-2 1/4-S	CCF-2 1/4-S
CR 48 VUU	—	1960	1 1/4	31.750	3	76.200	1 1/4-12	1.83	46.400	2 1/2	63.500	77600	172000	CRS-48	—	CF 48 PP	—	CF-3-S	—

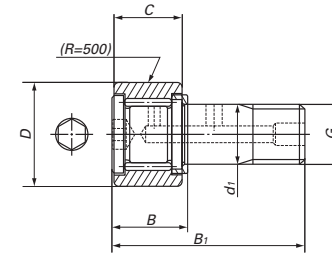
Remark : Outside dia. 1/2" and 5/8" : No oil holes in the threaded end

CAM FOLLOWERS

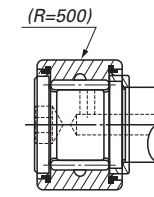
Inch series Super Duty Cam Followers



CRH-V(R)



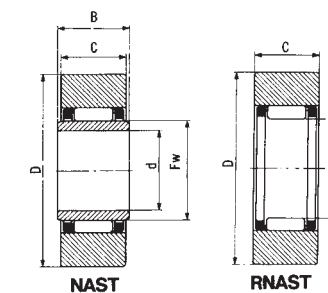
CRH-VB(R)



CRH-VBUU(R)

DIMENSION TABLE

IKO NUMBER SHIELD TYPE CYLINDRICAL OUTER RING CRH...V(B)	IKO NUMBER SHIELD TYPE CROWNED OUTER RING CRH...V(B)R	IKO NUMBER SEALED TYPE CYLINDRICAL OUTER RING CRH...V(B)UU	IKO NUMBER SEALED TYPE CROWNED OUTER RING CRH...V(B)UUR	WEIGHT (g)	DIMENSIONS					DIMENSIONS MAX.				BASIC DYNAMIC LOAD RATING (N)	BASIC STATIC LOAD RATING (N)	MCGILL SHIELD TYPE		MCGILL SEALED TYPE			
					d1	D		G	C		B	MAX. B1	CYLINDRICAL OUTER RING CFH			CROWNED OUTER RING CCFH	CYLINDRICAL OUTER RING CFH...S(B)	CROWNED OUTER RING CCFH...S(B)			
					inch	mm	inch	mm	UNF	inch	mm	inch	mm	inch	mm						
CRH 8-1 V(B)	CRH 8-1 V(B)R	CRH 8-1 V(B)UU	CRH 8-1 V(B)UUR	12	¼	6.350	½	12.700	¼-28	⅜	9.525	0.44	11.1	1.065	27.05	4710	5410	CFH ½(B)	CCFH ½(B)	CFH ½S(B)	CCFH ½S(B)
CRH 9 V(B)	CRH 9 V(B)R	CRH 9 V(B)UU	CRH 9 V(B)UUR	15	¼	6.350	⅝	14.288	¼-28	⅜	9.525	0.44	11.1	1.065	27.05	4710	5410	CFH ⅝(B)	CCFH ⅝(B)	CFH ⅝S(B)	CCFH ⅝S(B)
CRH 10-1 V(B)	CRH 10-1 V(B)R	CRH 10-1 V(B)UU	CRH 10-1 V(B)UUR	23	⅝	7.938	⅝	15.875	⅝-24	⅞	11.112	0.50	12.8	1.250	31.75	6340	8530	CFH ⅝(B)	CCFH ⅝(B)	CFH ⅝S(B)	CCFH ⅝S(B)
CRH 11 V(B)	CRH 11 V(B)R	CRH 11 V(B)UU	CRH 11 V(B)UUR	27	⅝	7.938	⅞	17.462	⅝-24	⅞	11.112	0.50	12.8	1.250	31.75	6340	8530	CFH ⅞(B)	CCFH ⅞(B)	CFH ⅞S(B)	CCFH ⅞S(B)
CRH 12 V(B)	CRH 12 V(B)R	CRH 12 V(B)UU	CRH 12 V(B)UUR	39	⅞	11.112	¾	19.050	⅞-20	½	12.700	0.57	14.6	1.445	36.70	8710	12300	CFH ¾(B)	CCFH ¾(B)	CFH ¾S(B)	CCFH ¾S(B)
CRH 14 V(B)	CRH 14 V(B)R	CRH 14 V(B)UU	CRH 14 V(B)UUR	49	⅞	11.112	⅞	22.225	⅞-20	½	12.700	0.57	14.6	1.445	36.70	8710	12300	CFH ⅞(B)	CCFH ⅞(B)	CFH ⅞S(B)	CCFH ⅞S(B)
CRH 16 V(B)	CRH 16 V(B)R	CRH 16 V(B)UU	CRH 16 V(B)UUR	93	⅝	15.875	1	25.400	⅝-18	⅝	15.875	0.70	17.9	1.700	43.18	13100	22700	CFH 1(B)	CCFH 1(B)	CFH 1S(B)	CCFH 1S(B)
CRH 18 V(B)	CRH 18 V(B)R	CRH 18 V(B)UU	CRH 18 V(B)UUR	109	⅝	15.875	1 ⅛	28.575	⅝-18	⅝	15.875	0.70	17.9	1.700	43.18	13100	22700	CFH 1 ⅛(B)	CCFH 1 ⅛(B)	CFH 1 ⅛S(B)	CCFH 1 ⅛S(B)
CRH 20 V(B)	CRH 20 V(B)R	CRH 20 V(B)UU	CRH 20 V(B)UUR	176	¾	19.050	1 ¼	31.750	¾-16	¾	19.050	0.83	21.0	1.955	49.66	23600	31700	CFH 1 ¼(B)	CCFH 1 ¼(B)	CFH 1 ¼S(B)	CCFH 1 ¼S(B)
CRH 22 V(B)	CRH 22 V(B)R	CRH 22 V(B)UU	CRH 22 V(B)UUR	200	¾	19.050	1 ⅜	34.925	¾-16	¾	19.050	0.83	21.0	1.955	49.66	23600	31700	CFH 1 ⅜(B)	CCFH 1 ⅜(B)	CFH 1 ⅜S(B)	CCFH 1 ⅜S(B)
CRH 24 V(B)	CRH 24 V(B)R	CRH 24 V(B)UU	CRH 24 V(B)UUR	296	⅞	22.225	1 ½	38.100	⅞-14	⅞	22.225	0.96	24.3	2.460	62.48	28200	40100	CFH 1 ½(B)	CCFH 1 ½(B)	CFH 1 ½S(B)	CCFH 1 ½S(B)
CRH 26 V(B)	CRH 26 V(B)R	CRH 26 V(B)UU	CRH 26 V(B)UUR	329	⅞	22.225	1 ⅝	41.275	⅞-14	⅞	22.225	0.96	24.3	2.460	62.48	28200	40100	CFH 1 ⅝(B)	CCFH 1 ⅝(B)	CFH 1 ⅝S(B)	CCFH 1 ⅝S(B)
CRH 28 V(B)	CRH 28 V(B)R	CRH 28 V(B)UU	CRH 28 V(B)UUR	463	1	25.400	1 ¾	44.450	1-14UNS	1	25.400	1.08	27.4	2.830	71.88	35300	55600	CFH 1 ¾(B)	CCFH 1 ¾(B)	CFH 1 ¾S(B)	CCFH 1 ¾S(B)
CRH 30 V(B)	CRH 30 V(B)R	CRH 30 V(B)UU	CRH 30 V(B)UUR	508	1	25.400	1 ⅞	47.625	1-14UNS	1	25.400	1.08	27.4	2.830	71.88	35300	55600	CFH 1 ⅞(B)	CCFH 1 ⅞(B)	CFH 1 ⅞S(B)	CCFH 1 ⅞S(B)
CRH 32 V(B)	CRH 32 V(B)R	CRH 32 V(B)UU	CRH 32 V(B)UUR	722	1 ⅛	28.575	2	50.800	1 ⅛-12	1 ¼	31.750	1.35	34.2	3.350	85.09	45700	80600	CFH 2(B)	CCFH 2(B)	CFH 2S(B)	CCFH 2S(B)
CRH 36 V(B)	CRH 36 V(B)R	CRH 36 V(B)UU	CRH 36 V(B)UUR	858	1 ⅛	28.575	2 ¼	57.150	1 ⅛-12	1 ¼	31.750	1.35	34.2	3.350	85.09	45700	80600	CFH 2 ¼(B)	CCFH 2 ¼(B)	CFH 2 ¼S(B)	CCFH 2 ¼S(B)
CRH 40 V(B)	CRH 40 V(B)R	CRH 40 V(B)UU	CRH 40 V(B)UUR	1260	1 ¼	31.750	2 ½	63.500	1 ¼-12	1 ½	38.100	1.57	40.0	3.820	97.03	61400	116000	CFH 2 ½(B)	CCFH 2 ½(B)	CFH 2 ½S(B)	CCFH 2 ½S(B)
CRH 44 V(B)	CRH 44 V(B)R	CRH 44 V(B)UU	CRH 44 V(B)UUR	1460	1 ¼	31.750	2 ¾	69.850	1 ¼-12	1 ½	38.100	1.57	40.0	3.820	97.03	61400	116000	CFH 2 ¾(B)	CCFH 2 ¾(B)	CFH 2 ¾S(B)	CCFH 2 ¾S(B)
CRH 48 V(B)	CRH 48 V(B)R	CRH 48 V(B)UU	CRH 48 V(B)UUR	2100	1 ½	38.100	3	76.200	1 ½-12	1 ¾	44.450	1.83	46.4	4.330	109.98	77600	172000	CFH 3(B)	CCFH 3(B)	CFH 3S(B)	CCFH 3S(B)
CRH 52 V(B)	CRH 52 V(B)R	CRH 52 V(B)UU	CRH 52 V(B)UUR	2380	1 ½	38.100	3 ¼	82.550	1 ½-12	1 ¾	44.450	1.83	46.4	4.330	109.98	77600	172000	CFH 3 ¼(B)	CCFH 3 ¼(B)	CFH 3 ¼S(B)	CCFH 3 ¼S(B)
CRH 56 V(B)	CRH 56 V(B)R	CRH 56 V(B)UU	CRH 56 V(B)UUR	3240	1 ¾	44.450	3 ½	88.900	1 ¾-12UN	2	50.800	2.08	52.8	4.830	122.68	111000	239000	CFH 3 ½(B)	CCFH 3 ½(B)	CFH 3 ½S(B)	CCFH 3 ½S(B)
CRH 64 V(B)	CRH 64 V(B)R	CRH 64 V(B)UU	CRH 64 V(B)UUR	4960	2	50.800	4	101.600	2-12UN	2 ¼	57.150	2.34	59.4	5.840	148.34	142000	317000	CFH 4(B)	CCFH 4(B)	CFH 4S(B)	CCFH 4S(B)



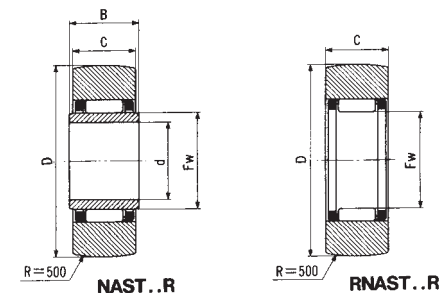
DIMENSION TABLE

INTERCHANGE TABLE

IKO NUMBER WITH INNER RING NAST	WEIGHT (g)	IKO NUMBER WITHOUT INNER RING RNAS	WEIGHT (g)	DIMENSIONS (mm)					BASIC DYNAMIC LOAD RATING (N)	BASIC STATIC LOAD RATING (N)	INA		SKF		FAG	
				d	Fw	D	C	B			WITH INNER RING STO..X	WITHOUT INNER RING RSTO..X	WITH INNER RING STO..X	WITHOUT INNER RING RSTO..X	WITH INNER RING STO..DZ	WITHOUT INNER RING RSTO..DZ
—	—	RNAS 5	8.9	—	7	16	7.8	—	2710	2390	—	RSTO 5 TNX	—	RSTO 5 XTN	—	RSTO 5 DZ.TN
NAST 6	17.8	RNAS 6	13.9	6	10	19	9.8	10	4160	4550	STO 6 TNX	RSTO 6 TNX	STO 6 XTN	RSTO 6 XTN	STO 6 DZ	RSTO 6 DZ
NAST 8	28	RNAS 8	23.5	8	12	24	9.8	10	5650	5890	STO 8 TNX	RSTO 8 TNX	STO 8 XTN	RSTO 8 XTN	STO 8 DZ	RSTO 8 DZ
NAST 10	49.5	RNAS 10	42.5	10	14	30	11.8	12	9790	9680	STO 10 X	RSTO 10 X	STO 10 X	RSTO 10 X	STO 10 DZ	RSTO 10 DZ
NAST 12	58	RNAS 12	49.5	12	16	32	11.8	12	10500	10900	STO 12 X	RSTO 12 X	STO 12 X	RSTO 12 X	STO 12 DZ	RSTO 12 DZ
NAST 15	62	RNAS 15	50	15	20	35	11.8	12	12400	14300	STO 15 X	RSTO 15 X	STO 15 X	RSTO 15 X	STO 15 DZ	RSTO 15 DZ
NAST 17	109	RNAS 17	90	17	22	40	15.8	16	17600	20900	STO 17 X	RSTO 17 X	STO 17 X	RSTO 17 X	STO 17 DZ	RSTO 17 DZ
NAST 20	157	RNAS 20	135	20	25	47	15.8	16	19400	24500	STO 20 X	RSTO 20 X	STO 20 X	RSTO 20 X	STO 20 DZ	RSTO 20 DZ
NAST 25	180	RNAS 25	152	25	30	52	15.8	16	20800	28400	STO 25 X	RSTO 25 X	STO 25 X	RSTO 25 X	STO 25 DZ	RSTO 25 DZ
NAST 30	320	RNAS 30	255	30	38	62	19.8	20	30500	45400	STO 30 X	RSTO 30 X	STO 30 X	RSTO 30 X	STO 30 DZ	RSTO 30 DZ
NAST 35	440	RNAS 35	375	35	42	72	19.8	20	32400	50600	STO 35 X	RSTO 35 X	STO 35 X	RSTO 35 X	STO 35 DZ	RSTO 35 DZ
NAST 40	530	RNAS 40	420	40	50	80	19.8	20	35900	61100	STO 40 X	RSTO 40 X	STO 40 X	RSTO 40 X	STO 40 DZ	RSTO 40 DZ
NAST 45	580	RNAS 45	460	45	55	85	19.8	20	37400	66400	STO 45 X	RSTO 45 X	STO 45 X	RSTO 45 X	STO 45 DZ	RSTO 45 DZ
NAST 50	635	RNAS 50	500	50	60	90	19.8	20	38900	71700	STO 50 X	RSTO 50 X	STO 50 X	RSTO 50 X	STO 50 DZ	RSTO 50 DZ

ROLLER FOLLOWERS

Metric Dimension



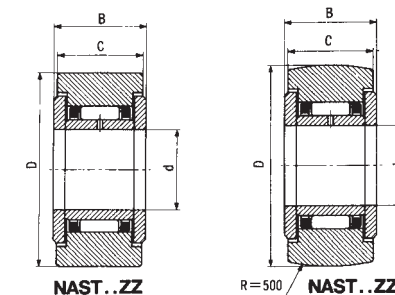
DIMENSION TABLE

INTERCHANGE TABLE

IKO NUMBER WITH INNER RING NAST..R	WEIGHT (g)	IKO NUMBER WITHOUT INNER RING RNAS..R	WEIGHT (g)	DIMENSIONS (mm)					BASIC DYNAMIC LOAD RATING (N)	BASIC STATIC LOAD RATING (N)	INA		SKF		FAG	
				d	Fw	D	C	B			WITH INNER RING STO	WITHOUT INNER RING RSTO	WITH INNER RING STO	WITHOUT INNER RING RSTO	WITH INNER RING STO	WITHOUT INNER RING RSTO
—	—	RNAS 5 R	8.9	—	7	16	7.8	—	2710	2390	—	RSTO 5 TN	—	RSTO 5 TN	—	RSTO 5 TN
NAST 6 R	17.8	RNAS 6 R	13.9	6	10	19	9.8	10	4160	4550	STO 6 TN	RSTO 6 TN	STO 6 TN	RSTO 6 TN	STO 6	RSTO 6
NAST 8 R	28	RNAS 8 R	23.5	8	12	24	9.8	10	5650	5890	STO 8 TN	RSTO 8 TN	STO 8 TN	RSTO 8 TN	STO 8	RSTO 8
NAST 10 R	49.5	RNAS 10 R	42.5	10	14	30	11.8	12	9790	9680	STO 10	RSTO 10	STO 10	RSTO 10	STO 10	RSTO 10
NAST 12 R	58	RNAS 12 R	49.5	12	16	32	11.8	12	10500	10900	STO 12	RSTO 12	STO 12	RSTO 12	STO 12	RSTO 12
NAST 15 R	62	RNAS 15 R	50	15	20	35	11.8	12	12400	14300	STO 15	RSTO 15	STO 15	RSTO 15	STO 15	RSTO 15
NAST 17 R	109	RNAS 17 R	90	17	22	40	15.8	16	17600	20900	STO 17	RSTO 17	STO 17	RSTO 17	STO 17	RSTO 17
NAST 20 R	157	RNAS 20 R	135	20	25	47	15.8	16	19400	24500	STO 20	RSTO 20	STO 20	RSTO 20	STO 20	RSTO 20
NAST 25 R	180	RNAS 25 R	152	25	30	52	15.8	16	20800	28400	STO 25	RSTO 25	STO 25	RSTO 25	STO 25	RSTO 25
NAST 30 R	320	RNAS 30 R	255	30	38	62	19.8	20	30500	45400	STO 30	RSTO 30	STO 30	RSTO 30	STO 30	RSTO 30
NAST 35 R	440	RNAS 35 R	375	35	42	72	19.8	20	32400	50600	STO 35	RSTO 35	STO 35	RSTO 35	STO 35	RSTO 35
NAST 40 R	530	RNAS 40 R	420	40	50	80	19.8	20	35900	61100	STO 40	RSTO 40	STO 40	RSTO 40	STO 40	RSTO 40
NAST 45 R	580	RNAS 45 R	460	45	55	85	19.8	20	37400	66400	STO 45	RSTO 45	STO 45	RSTO 45	STO 45	RSTO 45
NAST 50 R	635	RNAS 50 R	500	50	60	90	19.8	20	38900	71700	STO 50	RSTO 50	STO 50	RSTO 50	STO 50	RSTO 50

ROLLER FOLLOWERS

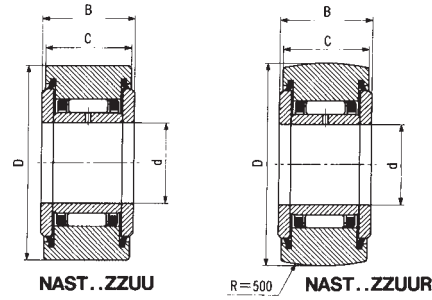
Metric Dimension



DIMENSION TABLE

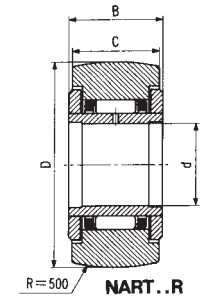
INTERCHANGE TABLE

IKO NUMBER CYLINDRICAL OUTER RING NAST..ZZ	IKO NUMBER CROWNED OUTER RING NAST..ZZR	WEIGHT (g)	DIMENSIONS (mm)				BASIC DYNAMIC LOAD RATING (N)	BASIC STATIC LOAD RATING (N)	INA		FAG	
			d	D	C	B			CYLINDRICAL OUTER RING NAST..P-2Z	CROWNED OUTER RING NAST..2Z	CYLINDRICAL OUTER RING STO..ZZ.DZ	CROWNED OUTER RING STO..ZZ
NAST 6 ZZ	NAST 6 ZZR	24.5	6	19	13.8	14	4160	4550	NAST 6 P-2Z	NAST 6-2Z	STO 6 ZZ.DZ	STO 6 ZZ
NAST 8 ZZ	NAST 8 ZZR	39	8	24	13.8	14	5650	5890	NAST 8 P-2Z	NAST 8-2Z	STO 8 ZZ.DZ	STO 8 ZZ
NAST 10 ZZ	NAST 10 ZZR	65	10	30	15.8	16	9790	9680	NAST 10 P-2Z	NAST 10-2Z	STO 10 ZZ.DZ	STO 10 ZZ
NAST 12 ZZ	NAST 12 ZZR	75	12	32	15.8	16	10500	10900	NAST 12 P-2Z	NAST 12-2Z	STO 12 ZZ.DZ	STO 12 ZZ
NAST 15 ZZ	NAST 15 ZZR	83	15	35	15.8	16	12400	14300	NAST 15 P-2Z	NAST 15-2Z	STO 15 ZZ.DZ	STO 15 ZZ
NAST 17 ZZ	NAST 17 ZZR	135	17	40	19.8	20	17600	20900	NAST 17 P-2Z	NAST 17-2Z	STO 17 ZZ.DZ	STO 17 ZZ
NAST 20 ZZ	NAST 20 ZZR	195	20	47	19.8	20	19400	24500	NAST 20 P-2Z	NAST 20-2Z	STO 20 ZZ.DZ	STO 20 ZZ
NAST 25 ZZ	NAST 25 ZZR	225	25	52	19.8	20	20800	28400	NAST 25 P-2Z	NAST 25-2Z	STO 25 ZZ.DZ	STO 25 ZZ
NAST 30 ZZ	NAST 30 ZZR	400	30	62	24.8	25	30500	45400	NAST 30 P-2Z	NAST 30-2Z	STO 30 ZZ.DZ	STO 30 ZZ
NAST 35 ZZ	NAST 35 ZZR	550	35	72	24.8	25	32400	50600	NAST 35 P-2Z	NAST 35-2Z	STO 35 ZZ.DZ	STO 35 ZZ
NAST 40 ZZ	NAST 40 ZZR	710	40	80	25.8	26	35900	61100	NAST 40 P-2Z	NAST 40-2Z	STO 40 ZZ.DZ	STO 40 ZZ
NAST 45 ZZ	NAST 45 ZZR	760	45	85	25.8	26	37400	66400	NAST 45 P-2Z	NAST 45-2Z	STO 45 ZZ.DZ	STO 45 ZZ
NAST 50 ZZ	NAST 50 ZZR	830	50	90	25.8	26	38900	71700	—	—	—	—



DIMENSION TABLE

IKO NUMBER CYLINDRICAL OUTER RING NAST..ZZUU	IKO NUMBER CROWNED OUTER RING NAST..ZZUUR	WEIGHT (g)	DIMENSIONS (mm)				BASIC DYNAMIC LOAD RATING (N)	BASIC STATIC LOAD RATING (N)
			d	D	C	B		
NAST 6 ZZUU	NAST 6 ZZUUR	24.5	6	19	13.8	14	4160	4550
NAST 8 ZZUU	NAST 8 ZZUUR	39	8	24	13.8	14	5650	5890
NAST 10 ZZUU	NAST 10 ZZUUR	65	10	30	15.8	16	9790	9680
NAST 12 ZZUU	NAST 12 ZZUUR	75	12	32	15.8	16	10500	10900
NAST 15 ZZUU	NAST 15 ZZUUR	83	15	35	15.8	16	12400	14300
NAST 17 ZZUU	NAST 17 ZZUUR	135	17	40	19.8	20	17600	20900
NAST 20 ZZUU	NAST 20 ZZUUR	195	20	47	19.8	20	19400	24500
NAST 25 ZZUU	NAST 25 ZZUUR	225	25	52	19.8	20	20800	28400
NAST 30 ZZUU	NAST 30 ZZUUR	400	30	62	24.8	25	30500	45400
NAST 35 ZZUU	NAST 35 ZZUUR	550	35	72	24.8	25	32400	50600
NAST 40 ZZUU	NAST 40 ZZUUR	710	40	80	25.8	26	35900	61100
NAST 45 ZZUU	NAST 45 ZZUUR	760	45	85	25.8	26	37400	66400
NAST 50 ZZUU	NAST 50 ZZUUR	830	50	90	25.8	26	38900	71700

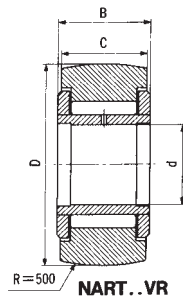


DIMENSION TABLE

IKO NUMBER WITH NEEDLE CAGE NART..R	WEIGHT (g)	DIMENSIONS (mm)				BASIC DYNAMIC LOAD RATING (N)	BASIC STATIC LOAD RATING (N)	INTERCHANGE TABLE			
		d	D	E	C			INA NATR	SKF NATR	FAG NATR	MC GILL MCYRR
NART 5 R	14.5	5	16	11	12	3650	3680	NATR 5	NATR 5	NATR 5	MCYRR-5
NART 6 R	20.5	6	19	11	12	4250	4740	NATR 6	NATR 6	NATR 6	MCYRR-6
NART 8 R	41.5	8	24	14	15	5640	5900	NATR 8	NATR 8	NATR 8	MCYRR-8
NART 10 R	64.5	10	30	14	15	8030	7540	NATR 10	NATR 10	NATR 10	MCYRR-10
NART 12 R	71	12	32	14	15	8580	8470	NATR 12	NATR 12	NATR 12	MCYRR-12
NART 15 R	102	15	35	18	19	13700	16400	NATR 15	NATR 15	—	MCYRR-15
NART 17 R	149	17	40	20	21	17600	21000	NATR 17	NATR 17	—	MCYRR-17
NART 20 R	250	20	47	24	25	23000	30700	NATR 20	NATR 20	—	MCYRR-20
NART 25 R	285	25	52	24	25	24700	35400	NATR 25	NATR 25	—	MCYRR-25
NART 30 R	470	30	62	28	29	33600	51400	NATR 30	NATR 30	—	MCYRR-30
NART 35 R	640	35	72	28	29	35700	57400	NATR 35	NATR 35	—	MCYRR-35
NART 40 R	845	40	80	30	32	44900	81500	NATR 40	NATR 40	—	MCYRR-40
NART 45 R	915	45	85	30	32	46800	88600	NATR 45	NATR 45	—	MCYRR-45
NART 50 R	980	50	90	30	32	48600	95600	NATR 50	NATR 50	—	MCYRR-50

ROLLER FOLLOWERS

Metric Dimension

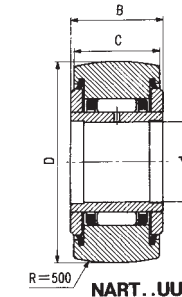


DIMENSION TABLE

IKO NUMBER FULL COMP NART..VR	WEIGHT (g)	DIMENSIONS (mm)				BASIC DYNAMIC LOAD RATING (N)	BASIC STATIC LOAD RATING (N)	INTERCHANGE TABLE		
		d	D	C	B			INA NATV	SKF NATV	MCGILL MCYR
NART 5 VR	15.1	5	16	11	12	6810	8370	NATV 5	NATV 5	MCYR-5
NART 6 VR	21.5	6	19	11	12	7690	10300	NATV 6	NATV 6	MCYR-6
NART 8 VR	42.1	8	24	14	15	11800	15600	NATV 8	NATV 8	MCYR-8
NART 10 VR	66.5	10	30	14	15	15600	18100	NATV 10	NATV 10	MCYR-10
NART 12 VR	73	12	32	14	15	16800	20500	NATV 12	NATV 12	MCYR-12
NART 15 VR	106	15	35	18	19	25200	36400	NATV 15	NATV 15	MCYR-15
NART 17 VR	155	17	40	20	21	32000	46300	NATV 17	NATV 17	MCYR-17
NART 20 VR	255	20	47	24	25	41600	67300	NATV 20	NATV 20	MCYR-20
NART 25 VR	295	25	52	24	25	45500	79100	NATV 25	NATV 25	MCYR-25
NART 30 VR	485	30	62	28	29	59900	110000	NATV 30	NATV 30	MCYR-30
NART 35 VR	655	35	72	28	29	63100	121000	NATV 35	NATV 35	MCYR-35
NART 40 VR	865	40	80	30	32	76300	164000	NATV 40	NATV 40	MCYR-40
NART 45 VR	935	45	85	30	32	80300	181000	—	—	MCYR-45
NART 50 VR	1010	50	90	30	32	84300	198000	NATV 50	NATV 50	MCYR-50

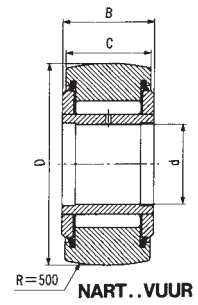
ROLLER FOLLOWERS

Metric Dimension



DIMENSION TABLE

IKO NUMBER NEEDLE CAGE NART..UUR	WEIGHT (g)	DIMENSIONS (mm)				BASIC DYNAMIC LOAD RATING (N)	BASIC STATIC LOAD RATING (N)	INTERCHANGE TABLE		
		d	D	C	B			INA NATR..PP	SKF NATR..PP	MCGILL MCYRR..S
NART 5 UUR	14.5	5	16	11	12	3650	3680	NATR 5 PP	NATR 5 PP	MCYRR-5-S
NART 6 UUR	20.5	6	19	11	12	4250	4740	NATR 6 PP	NATR 6 PP	MCYRR-6-S
NART 8 UUR	41.5	8	24	14	15	5640	5900	NATR 8 PP	NATR 8 PP	MCYRR-8-S
NART 10 UUR	64.5	10	30	14	15	8030	7540	NATR 10 PP	NATR 10 PP	MCYRR-10-S
NART 12 UUR	71	12	32	14	15	8580	8470	NATR 12 PP	NATR 12 PP	MCYRR-12-S
NART 15 UUR	102	15	35	18	19	13700	16400	NATR 15 PP	NATR 15 PP	MCYRR-15-S
NART 17 UUR	149	17	40	20	21	17600	21000	NATR 17 PP	NATR 17 PP	MCYRR-17-S
NART 20 UUR	250	20	47	24	25	23000	30700	NATR 20 PP	NATR 20 PP	MCYRR-20-S
NART 25 UUR	285	25	52	24	25	24700	35400	NATR 25 PP	NATR 25 PP	MCYRR-25-S
NART 30 UUR	470	30	62	28	29	33600	51400	NATR 30 PP	NATR 30 PP	MCYRR-30-S
NART 35 UUR	640	35	72	28	29	35700	57400	NATR 35 PP	NATR 35 PP	MCYRR-35-S
NART 40 UUR	845	40	80	30	32	44900	81500	NATR 40 PP	NATR 40 PP	MCYRR-40-S
NART 45 UUR	915	45	85	30	32	46800	88600	NATR 45 PP	NATR 45 PP	MCYRR-45-S
NART 50 UUR	980	50	90	30	32	48600	95600	NATR 50 PP	NATR 50 PP	MCYRR-50-S



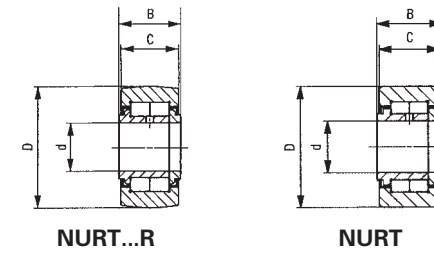
DIMENSION TABLE

INTERCHANGE TABLE

IKO NUMBER FULL COMP NART..VUUR	WEIGHT (g)	DIMENSIONS (mm)				BASIC DYNAMIC LOAD RATING (N)	BASIC STATIC LOAD RATING (N)	INA	SKF	MCGILL
		d	D	C	B			NATV..PP	NATV..PP	MCYR..S
NART 5 VUUR	15.1	5	16	11	12	6810	8370	NATV 5 PP	NATV 5 PP	MCYR-5-S
NART 6 VUUR	21.5	6	19	11	12	7690	10300	NATV 6 PP	NATV 6 PP	MCYR-6-S
NART 8 VUUR	42.5	8	24	14	15	11800	15600	NATV 8 PP	NATV 8 PP	MCYR-8-S
NART 10 VUUR	66.5	10	30	14	15	15600	18100	NATV 10 PP	NATV 10 PP	MCYR-10-S
NART 12 VUUR	73	12	32	14	15	16800	20500	NATV 12 PP	NATV 12 PP	MCYR-12-S
NART 15 VUUR	106	15	35	18	19	25200	36400	NATV 15 PP	NATV 15 PP	MCYR-15-S
NART 17 VUUR	155	17	40	20	21	32000	46300	NATV 17 PP	NATV 17 PP	MCYR-17-S
NART 20 VUUR	255	20	47	24	25	41600	67300	NATV 20 PP	NATV 20 PP	MCYR-20-S
NART 25 VUUR	295	25	52	24	25	45500	79100	NATV 25 PP	NATV 25 PP	MCYR-25-S
NART 30 VUUR	485	30	62	28	29	59900	110000	NATV 30 PP	NATV 30 PP	MCYR-30-S
NART 35 VUUR	655	35	72	28	29	63100	121000	NATV 35 PP	NATV 35 PP	MCYR-35-S
NART 40 VUUR	865	40	80	30	32	76300	164000	NATV 40 PP	NATV 40 PP	MCYR-40-S
NART 45 VUUR	935	45	85	30	32	80300	181000	—	—	MCYR-45-S
NART 50 VUUR	1010	50	90	30	32	84300	198000	NATV 50 PP	NATV 50 PP	MCYR-50-S

**CYLINDRICAL
ROLLER FOLLOWERS**

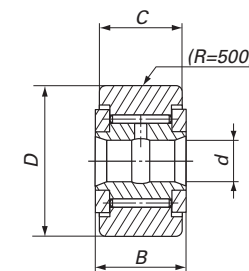
Metric Dimension



DIMENSION TABLE

INTERCHANGE TABLE

IKO NUMBER		WEIGHT (g)	DIMENSIONS (mm)				BASIC DYNAMIC LOAD RATING (N)	BASIC STATIC LOAD RATING (N)	INA		MCGILL	
CYLINDRICAL OUTER RING	CROWNED OUTER RING		d	D	C	B			CYLINDRICAL OUTER RING NUTR..X	CROWNED OUTER RING NUTR	CYLINDRICAL OUTER RING MCYRD..X	CROWNED OUTER RING MCYRD
NURT 15	NURT 15 R	100	15	35	18	19	23400	27300	NUTR 15 X	NUTR 15	MCYRD-15 X	MCYRD-15
NURT 15-1	NURT 15-1 R	160	15	42	18	19	23400	27300	NUTR 1542 X	NUTR 1542	—	—
NURT 17	NURT 17 R	147	17	40	20	21	25200	30900	NUTR 17 X	NUTR 17	MCYRD-17 X	MCYRD-17
NURT 17-1	NURT 17-1 R	222	17	47	20	21	25200	30900	NUTR 1747 X	NUTR 1747	—	—
NURT 20	NURT 20 R	245	20	47	24	25	38900	49000	NUTR 20 X	NUTR 20	MCYRD-20 X	MCYRD-20
NURT 20-1	NURT 20-1 R	321	20	52	24	25	38900	49000	NUTR 2052 X	NUTR 2052	—	—
NURT 25	NURT 25 R	281	25	52	24	25	43100	58100	NUTR 25 X	NUTR 25	MCYRD-25 X	MCYRD-25
NURT 25-1	NURT 25-1 R	450	25	62	24	25	43100	58100	NUTR 2562 X	NUTR 2562	—	—
NURT 30	NURT 30 R	466	30	62	28	29	58200	75300	NUTR 30 X	NUTR 30	MCYRD-30 X	MCYRD-30
NURT 30-1	NURT 30-1 R	697	30	72	28	29	58200	75300	NUTR 3072 X	NUTR 3072	—	—
NURT 35	NURT 35 R	630	35	72	28	29	63900	88800	NUTR 35 X	NUTR 35	MCYRD-35 X	MCYRD-35
NURT 35-1	NURT 35-1 R	840	35	80	28	29	63900	88800	NUTR 3580 X	NUTR 3580	—	—
NURT 40	NURT 40 R	817	40	80	30	32	86500	122000	NUTR 40 X	NUTR 40	MCYRD-40 X	MCYRD-40
NURT 40-1	NURT 40-1 R	1130	40	90	30	32	86500	122000	NUTR 4090 X	NUTR 4090	—	—
NURT 45	NURT 45 R	883	45	85	30	32	91500	135000	NUTR 45 X	NUTR 45	MCYRD-45 X	MCYRD-45
NURT 45-1	NURT 45-1 R	1400	45	100	30	32	91500	135000	NUTR 45100 X	NUTR 45100	—	—
NURT 50	NURT 50 R	950	50	90	30	32	96300	148000	NUTR 50 X	NUTR 50	MCYRD-50 X	MCYRD-50
NURT 50-1	NURT 50-1 R	1690	50	110	30	32	96300	148000	NUTR 50110 X	NUTR 50110	—	—



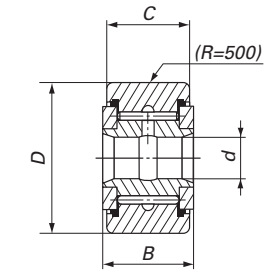
CRY-V(R)

DIMENSION TABLE

IKO NUMBER CYLINDRICAL OUTER RING CRY..V	IKO NUMBER CROWNED OUTER RING CRY..VR	WEIGHT (g)	DIMENSIONS								BASIC DYNAMIC LOAD RATING (N)	BASIC STATIC LOAD RATING (N)	MCGILL	
			d		D		C		B				CYLINDRICAL OUTER RING CYR	CROWNED OUTER RING CCYR
			inch	mm	inch	mm	inch	mm	inch	mm				
CRY 12 V	CRY 12 VR	27	¼	6.350	¾	19.050	½	12.700	0.5625	14.288	8710	12300	CYR ¾	CCYR ¾
CRY 14 V	CRY 14 VR	36	¼	6.350	7/8	22.225	½	12.700	0.5625	14.288	8710	12300	CYR 7/8	CCYR 7/8
CRY 16 V	CRY 16 VR	68	5/16	7.938	1	25.400	5/8	15.875	0.6875	17.463	13100	22700	CYR 1	CCYR 1
CRY 18 V	CRY 18 VR	77	5/16	9.938	1 1/8	28.575	5/8	15.875	0.6875	17.463	13100	22700	CYR 1 1/8	CCYR 1 1/8
CRY 20 V	CRY 20 VR	109	3/8	9.525	1 1/4	31.750	3/4	19.050	0.8125	20.638	23600	31700	CYR 1 1/4	CCYR 1 1/4
CRY 22 V	CRY 22 VR	136	3/8	9.525	1 3/8	34.925	3/4	19.050	0.8125	20.638	23600	31700	CYR 1 3/8	CCYR 1 3/8
CRY 24 V	CRY 24 VR	186	7/16	11.112	1 1/2	38.100	7/8	22.225	0.9375	23.813	28200	40100	CYR 1 1/2	CCYR 1 1/2
CRY 26 V	CRY 26 VR	227	7/16	11.112	1 5/8	41.275	7/8	22.225	0.9375	23.813	28200	40100	CYR 1 5/8	CCYR 1 5/8
CRY 28 V	CRY 28 VR	290	1/2	12.700	1 3/4	44.450	1	25.400	1.0625	26.988	35300	55600	CYR 1 3/4	CCYR 1 3/4
CRY 30 V	CRY 30 VR	363	1/2	12.700	1 7/8	47.625	1	25.400	1.0625	26.988	35300	55600	CYR 1 7/8	CCYR 1 7/8
CRY 32 V	CRY 32 VR	476	5/8	15.875	2	50.800	1 1/4	31.750	1.3125	33.338	45700	80600	CYR 2	CCYR 2
CRY 36 V	CRY 36 VR	599	5/8	15.875	2 1/4	57.150	1 1/4	31.750	1.3125	33.338	45700	80600	CYR 2 1/4	CCYR 2 1/4
CRY 40 V	CRY 40 VR	816	3/4	19.050	2 1/2	63.500	1 1/2	38.100	1.5625	39.688	61400	116000	CYR 2 1/2	CCYR 2 1/2
CRY 44 V	CRY 44 VR	1020	3/4	19.050	2 3/4	69.850	1 1/2	38.100	1.5625	39.688	61400	116000	CYR 2 3/4	CCYR 2 3/4
CRY 48 V	CRY 48 VR	1410	1	25.400	3	76.200	1 3/4	44.450	1.8125	46.038	77600	172000	CYR 3	CCYR 3
CRY 52 V	CRY 52 VR	1640	1	25.400	3 1/4	82.550	1 3/4	44.450	1.8125	46.038	77600	172000	CYR 3 1/4	CCYR 3 1/4
CRY 56 V	CRY 56 VR	2250	1 1/8	28.575	3 1/2	88.900	2	50.800	2.0625	52.388	111000	239000	CYR 3 1/2	CCYR 3 1/2
CRY 64 V	CRY 64 VR	3200	1 1/4	31.750	4	101.600	2 1/4	57.150	2.3125	58.738	142000	317000	CYR 4	CCYR 4

ROLLER FOLLOWERS

Inch series Heavy Duty Roller Followers



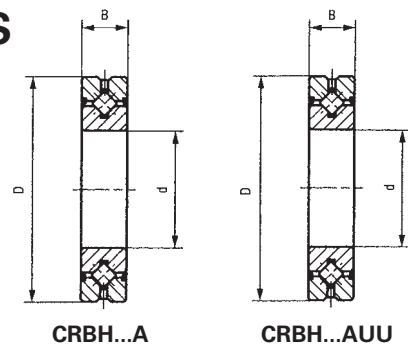
CRY-VUU(R)

DIMENSION TABLE

IKO NUMBER CYLINDRICAL OUTER RING CRY..VUU	IKO NUMBER CROWNED OUTER RING CRY..VUUR	WEIGHT (g)	DIMENSIONS								BASIC DYNAMIC LOAD RATING (N)	BASIC STATIC LOAD RATING (N)	MCGILL	
			d		D		C		B				CYLINDRICAL OUTER RING CYR..S	CROWNED OUTER RING CCYR..S
			inch	mm	inch	mm	inch	mm	inch	mm				
CRY 12 VUU	CRY 12 VUUR	27	¼	6.350	¾	19.050	½	12.700	0.5625	14.288	8710	12300	CYR ¾ S	CCYR ¾ S
CRY 14 VUU	CRY 14 VUUR	36	¼	6.350	7/8	22.225	½	12.700	0.5625	14.288	8710	12300	CYR 7/8 S	CCYR 7/8 S
CRY 16 VUU	CRY 16 VUUR	68	5/16	7.938	1	25.400	5/8	15.875	0.6875	17.463	13100	22700	CYR 1 S	CCYR 1 S
CRY 18 VUU	CRY 18 VUUR	77	5/16	7.938	1 1/8	28.575	5/8	15.875	0.6875	17.463	13100	22700	CYR 1 1/8 S	CCYR 1 1/8 S
CRY 20 VUU	CRY 20 VUUR	109	3/8	9.525	1 1/4	31.750	3/4	19.050	0.8125	20.638	23600	31700	CYR 1 1/4 S	CCYR 1 1/4 S
CRY 22 VUU	CRY 22 VUUR	136	3/8	9.525	1 3/8	34.925	3/4	19.050	0.8125	20.638	23600	31700	CYR 1 3/8 S	CCYR 1 3/8 S
CRY 24 VUU	CRY 24 VUUR	186	7/16	11.112	1 1/2	38.100	7/8	22.225	0.9375	23.813	28200	40100	CYR 1 1/2 S	CCYR 1 1/2 S
CRY 26 VUU	CRY 26 VUUR	227	7/16	11.112	1 5/8	41.275	7/8	22.225	0.9375	23.813	28200	40100	CYR 1 5/8 S	CCYR 1 5/8 S
CRY 28 VUU	CRY 28 VUUR	290	1/2	12.700	1 3/4	44.450	1	25.400	1.0625	26.988	35300	55600	CYR 1 3/4 S	CCYR 1 3/4 S
CRY 30 VUU	CRY 30 VUUR	363	1/2	12.700	1 7/8	47.625	1	25.400	1.0625	26.988	35300	55600	CYR 1 7/8 S	CCYR 1 7/8 S
CRY 32 VUU	CRY 32 VUUR	476	5/8	15.875	2	50.800	1 1/4	31.750	1.3125	33.338	45700	80600	CYR 2 S	CCYR 2 S
CRY 36 VUU	CRY 36 VUUR	599	5/8	15.875	2 1/4	57.150	1 1/4	31.750	1.3125	33.338	45700	80600	CYR 2 1/4 S	CCYR 2 1/4 S
CRY 40 VUU	CRY 40 VUUR	816	3/4	19.050	2 1/2	63.500	1 1/2	38.100	1.5625	39.688	61400	116000	CYR 2 1/2 S	CCYR 2 1/2 S
CRY 44 VUU	CRY 44 VUUR	1020	3/4	19.050	2 3/4	69.850	1 1/2	38.100	1.5625	39.688	61400	116000	CYR 2 3/4 S	CCYR 2 3/4 S
CRY 48 VUU	CRY 48 VUUR	1410	1	25.400	3	76.200	1 3/4	44.450	1.8125	46.038	77600	172000	CYR 3 S	CCYR 3 S
CRY 52 VUU	CRY 52 VUUR	1640	1	25.400	3 1/4	82.550	1 3/4	44.450	1.8125	46.038	77600	172000	CYR 3 1/4 S	CCYR 3 1/4 S
CRY 56 VUU	CRY 56 VUUR	2250	1 1/8	28.575	3 1/2	88.900	2	50.800	2.0625	52.388	111000	239000	CYR 3 1/2 S	CCYR 3 1/2 S
CRY 64 VUU	CRY 64 VUUR	3200	1 1/4	31.750	4	101.600	2 1/4	57.150	2.3125	58.738	142000	317000	CYR 4 S	CCYR 4 S

**HIGH RIGIDITY TYPE
CROSSED ROLLER BEARINGS
WITH SEPARATOR**

Metric Dimension

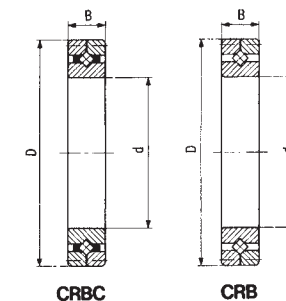


DIMENSION TABLE

IKO NUMBER		WEIGHT (kg)	DIMENSIONS (mm)			BASIC DYNAMIC LOAD RATING (N)	BASIC STATIC LOAD RATING (N)
OPEN TYPE	SEALED TYPE		d	D	B		
CRBH 208 A	CRBH 208 AUU	0.04	20	36	8	2910	2430
CRBH 258 A	CRBH 258 AUU	0.05	25	41	8	3120	2810
CRBH 3010 A	CRBH 3010 AUU	0.12	30	55	10	7600	8370
CRBH 3510 A	CRBH 3510 AUU	0.13	35	60	10	7900	9130
CRBH 4010 A	CRBH 4010 AUU	0.15	40	65	10	8610	10600
CRBH 4510 A	CRBH 4510 AUU	0.16	45	70	13	8860	11300
CRBH 5013 A	CRBH 5013 AUU	0.29	50	80	13	17300	20900
CRBH 6013 A	CRBH 6013 AUU	0.33	60	90	13	18800	24300
CRBH 7013 A	CRBH 7013 AUU	0.38	70	100	16	20100	27700
CRBH 8016 A	CRBH 8016 AUU	0.74	80	120	16	32100	43400
CRBH 9016 A	CRBH 9016 AUU	0.81	90	130	20	33100	46800
CRBH 10020 A	CRBH 10020 AUU	1.45	100	150	20	50900	72200
CRBH 11020 A	CRBH 11020 AUU	1.56	110	160	25	52400	77400
CRBH 12025 A	CRBH 12025 AUU	2.62	120	180	25	73400	108000
CRBH 13025 A	CRBH 13025 AUU	2.82	130	190	25	75900	115000
CRBH 14025 A	CRBH 14025 AUU	2.96	140	200	25	81900	130000
CRBH 15025 A	CRBH 15025 AUU	3.16	150	210	25	84300	138000
CRBH 20025 A	CRBH 20025 AUU	4.0	200	260	25	92300	169000
CRBH 25025 A	CRBH 25025 AUU	4.97	250	310	25	102000	207000

CROSSED ROLLER BEARINGS

Metric Dimension



DIMENSION TABLE

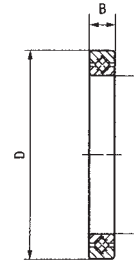
IKO NUMBER WITH RETAINER CRBC	IKO NUMBER FULL COMP. CRB	WEIGHT (kg)	DIMENSIONS (mm)			BASIC DYNAMIC LOAD RATING (N)		BASIC STATIC LOAD RATING (N)	
			d	D	B	CRBC	CRB	CRBC	CRB
CRBC 3010	CRB 3010	0.12	30	55	10	3830	5290	4130	6350
CRBC 4010	CRB 4010	0.15	40	65	10	4280	5980	5140	8040
CRBC 5013	CRB 5013	0.29	50	80	13	10700	14200	12600	18400
CRBC 6013	CRB 6013	0.33	60	90	13	11600	15400	14600	21500
CRBC 7013	CRB 7013	0.38	70	100	13	12300	17000	16700	25500
CRBC 8016	CRB 8016	0.74	80	120	16	18200	24300	25500	37500
CRBC 9016	CRB 9016	0.81	90	130	16	19400	25900	28600	42100
CRBC 10020	CRB 10020	1.45	100	150	20	31500	39400	45100	61100
CRBC 11020	CRB 11020	1.56	110	160	20	33500	41200	50700	66700
CRBC 12025	CRB 12025	2.62	120	180	25	47700	59900	70500	95400
CRBC 13025	CRB 13025	2.82	130	190	25	49200	61000	74800	99800
CRBC 14025	CRB 14025	2.96	140	200	25	50700	64100	79200	108000
CRBC 15025	CRB 15025	3.16	150	210	25	53800	65000	87700	113000
CRBC 15030	CRB 15030	5.3	150	230	30	69200	85900	108000	114000
CRBC 20025	CRB 20025	4	200	260	25	60200	75300	110000	148000
CRBC 20030	CRB 20030	6.7	200	280	30	108000	133000	178000	234000
CRBC 20035	CRB 20035	9.58	200	295	35	137000	168000	215000	282000
CRBC 25025	CRB 25025	4.97	250	310	25	67200	83900	136000	183000
CRBC 25030	CRB 25030	8.1	250	330	30	116000	146000	208000	283000
CRBC 25040	CRB 25040	14.8	250	355	40	179000	215000	299000	382000
CRBC 30025	CRB 30025	5.88	300	360	25	73800	91900	162000	217000
CRBC 30035	CRB 30035	13.4	300	395	35	163000	205000	299000	408000
CRBC 30040	CRB 30040	17.2	300	405	40	194000	235000	351000	451000
CRBC 40035	CRB 40035	14.5	400	480	35	133000	165000	300000	400000
CRBC 40040	CRB 40040	23.5	400	510	40	222000	270000	455000	590000
CRBC 40070	CRB 40070	72.4	400	580	70	470000	576000	811000	1060000
CRBC 50040	CRB 50040	26	500	600	40	212000	259000	497000	648000
CRBC 50050	CRB 50050	41.7	500	625	50	247000	306000	561000	747000
CRBC 50070	CRB 50070	86.1	500	680	70	536000	653000	1020000	1330000
CRBC 60040	CRB 60040	30.6	600	700	40	231000	287000	581000	774000
CRBC 60070	CRB 60070	102	600	780	70	591000	700000	1230000	1540000
CRBC 600120	CRB 600120	274	600	870	120	1250000	1490000	2210000	2800000
CRBC 70045	CRB 70045	46.5	700	815	45	250000	313000	681000	917000
CRBC 70070	CRB 70070	115	700	880	70	630000	766000	1390000	1810000
CRBC 700150	CRB 700150	478	700	1020	150	1660000	1980000	3010000	3820000
CRBC 80070	CRB 80070	109	800	950	70	417000	513000	1090000	1440000
CRBC 800100	CRB 800100	247	800	1030	100	936000	1140000	2040000	2640000

IKO

CRBS

**SLIM TYPE
CROSSED
ROLLER BEARINGS**

Metric Dimension



DIMENSION TABLE

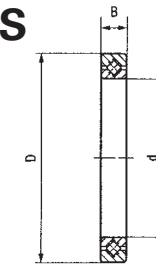
IKO NUMBER WITH RETAINER CRBS	WEIGHT (g)	DIMENSIONS (mm)			BASIC DYNAMIC LOAD RATING (N)	BASIC STATIC LOAD RATING (N)
		d	D	B		
CRBS 508	84	50	66	8	4900	6170
CRBS 608	94	60	76	8	5350	7310
CRBS 708	108	70	86	8	5740	8440
CRBS 808	122	80	96	8	6130	9590
CRBS 908	135	90	106	8	6490	10700
CRBS 1008	152	100	116	8	6850	11900
CRBS 1108	163	110	126	8	7160	13000
CRBS 1208	184	120	136	8	7530	14100
CRBS 1308	199	130	146	8	7860	15300
CRBS 1408	205	140	156	8	8060	16400
CRBS 1508	220	150	166	8	8350	17500
CRBS 16013	620	160	186	13	20300	39900
CRBS 17013	675	170	196	13	20900	42200
CRBS 18013	710	180	206	13	21500	44600
CRBS 19013	740	190	216	13	22100	46900
CRBS 20013	780	200	226	13	22500	49300

IKO

CRBS..V

**SLIM TYPE
CROSSED
ROLLER BEARINGS**

Metric Dimension

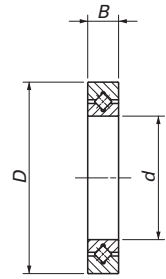


DIMENSION TABLE

IKO NUMBER WITH RETAINER CRBS..V	WEIGHT (g)	DIMENSIONS (mm)			BASIC DYNAMIC LOAD RATING (N)	BASIC STATIC LOAD RATING (N)
		d	D	B		
CRBS 508 V	84	50	66	8	6930	9800
CRBS 608 V	94	60	76	8	7600	11700
CRBS 708 V	108	70	86	8	8190	13600
CRBS 808 V	122	80	96	8	8790	15500
CRBS 908 V	135	90	106	8	9310	17400
CRBS 1008 V	152	100	116	8	9850	19300
CRBS 1108 V	163	110	126	8	10300	21200
CRBS 1208 V	184	120	136	8	10900	23000
CRBS 1308 V	199	130	146	8	11200	24600
CRBS 1408 V	205	140	156	8	11700	26800
CRBS 1508 V	220	150	166	8	12100	28700
CRBS 16013 V	620	160	186	13	26900	58200
CRBS 17013 V	675	170	196	13	27800	61600
CRBS 18013 V	710	180	206	13	28600	65200
CRBS 19013 V	740	190	216	13	29300	68600
CRBS 20013 V	780	200	226	13	30000	72200

**SUPER SLIM TYPE
CROSSED
ROLLER BEARINGS**

Metric Dimension



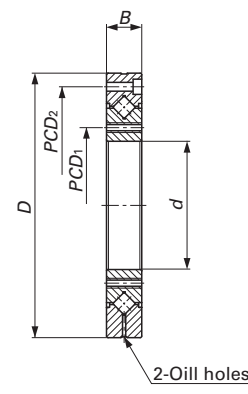
CRBT..A

DIMENSION TABLE

IKO NUMBER WITH RETAINER CRBT	DIMENSIONS (mm)			BASIC DYNAMIC LOAD RATING (N)	BASIC STATIC LOAD RATING (N)
	d	D	B		
CRBT 205 A	20	31	5	1400	1290
CRBT 305 A	30	41	5	1770	1970
CRBT 405 A	40	51	5	2000	2520
CRBT 505 A	50	61	5	2280	3200

**MOUNTING HOLED TYPE
HIGH RIGIDITY CROSSED
ROLLER BEARINGS**

Metric Dimension



CRBF..AT

CRBF..ATUU

CRBF..A

CRBF..AUU

CRBF..AD

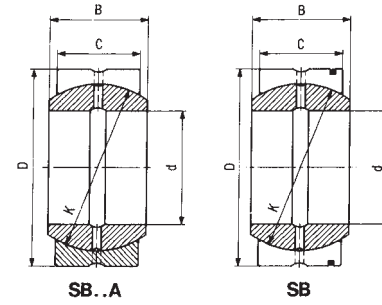
CRBF..ADUU

DIMENSION TABLE

IKO NUMBER OPEN TYPE CRBF..AT	IKO NUMBER TWO SIDE SEALED TYPE CRBF..ATUU	WEIGHT (kg)	DIMENSIONS (mm)			PCD1	DIMENSIONS (mm)		BASIC DYNAMIC LOAD RATING C (N)	BASIC STATIC LOAD RATING C0 (N)	
			d	D	B		Inner ring Mounting holes	Outer ring Mounting holes			
CRBF 108 AT	CRBF 108 AT UU	0.12	10	52	8	16	4-M3 through	42	6- ϕ 3.4 through ϕ 6.5 counter bore depth 3.3	2910	2430
CRBF 2012 AT	CRBF 2012 AT UU	0.31	20	70	12	28	6-M3 through	57	6- ϕ 3.4 through ϕ 6.5 counter bore depth 3.3	7600	8370
CRBF 2512 AT	CRBF 2512 AT UU	0.40	25	80	12	35	6-M3 through	67	6- ϕ 3.4 through ϕ 6.5 counter bore depth 3.3	8610	10600
CRBF 3515 AT	CRBF 3515 AT UU	0.66	35	95	15	45	8-M4 through	83	8- ϕ 4.5 through ϕ 8 counter bore depth 4.4	17300	20900
CRBF 5515 AT	CRBF 5515 AT UU	0.96	55	120	15	65	8-M5 through	105	8- ϕ 5.5 through ϕ 9.5 counter bore depth 5.4	20100	27700
CRBF 8022 AT	CRBF 8022 AT UU	2.63	80	165	22	97	10-M5 through	148	10- ϕ 5.5 through ϕ 9.5 counter bore depth 5.4	51100	72000
CRBF 8022 A	CRBF 8022 A UU	2.60									
CRBF 8022 AD	CRBF 8022 AD UU										

SPHERICAL BUSHINGS

Metric Dimension

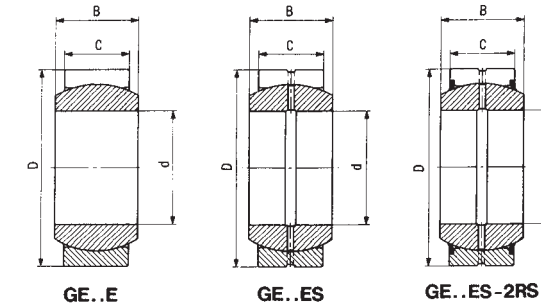


DIMENSION TABLE

IKO NUMBER SB..A	IKO NUMBER SB	WEIGHT (kg)	DIMENSIONS (mm)					DYNAMIC LOAD CAPACITY (N)	STATIC LOAD CAPACITY (N)
			d	D	B	C	K		
SB 12 A	SB 122211	0.019	12	22	11	9	18	15900	95300
SB 15 A	SB 152613	0.028	15	26	13	11	22	23700	142000
SB 20 A	SB 203216	0.053	20	32	16	14	28	38400	231000
SB 22 A	SB 223719	0.085	22	37	19	16	32	50200	301000
SB 25 A	SB 254221	0.116	25	42	21	18	36	63500	381000
SB 30 A	SB 305027	0.225	30	50	27	23	45	101000	609000
SB 35 A	SB 355530	0.3	35	55	30	26	50	127000	765000
SB 40 A	SB 406233	0.375	40	62	33	28	55	151000	906000
SB 45 A	SB 457236	0.6	45	72	36	31	62	188000	1130000
SB 50 A	SB 508042	0.87	50	80	42	36	72	254000	1530000
SB 55 A	SB 559047	1.26	55	90	47	40	80	314000	1880000
SB 60 A	SB 6010053	1.7	60	100	53	45	90	397000	2380000
SB 65 A	SB 6510555	2.05	65	105	55	47	94	433000	2600000
SB 70 A	SB 7011058	2.22	70	110	58	50	100	490000	2940000
SB 75 A	SB 7512064	3.02	75	120	64	55	110	593000	3560000
SB 80 A	SB 8013070	3.98	80	130	70	60	120	706000	4240000
SB 85 A	SB 8513574	4.29	85	135	74	63	125	772000	4630000
SB 90 A	SB 9014076	4.71	90	140	76	65	130	829000	4970000
SB 95 A	SB 9515082	6.05	95	150	82	70	140	961000	5770000
SB 100 A	SB 10016088	7.42	100	160	88	75	150	1100000	6620000
SB 110 A	SB 11017093	8.55	110	170	93	80	160	1260000	7530000
SB 115 A	SB 11518098	10.3	115	180	98	85	165	1380000	8250000
SB 120 A	SB 120190105	12.4	120	190	105	90	175	1540000	9270000
SB 130 A	SB 130200110	13.8	130	200	110	95	185	1720000	10300000
SB 150 A	SB 150220120	17	150	220	120	105	205	2110000	12700000

SPHERICAL BUSHINGS

Metric Dimension



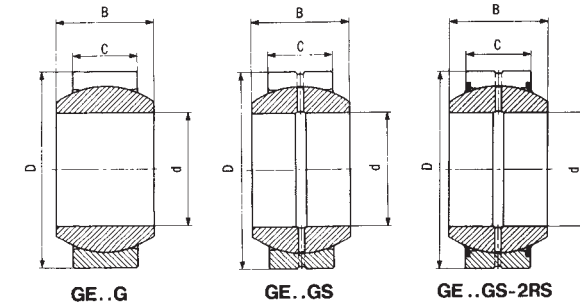
DIMENSION TABLE

INTERCHANGE TABLE

IKO NUMBER WITHOUT SEAL GE..E(S)	IKO NUMBER WITH SEALS GE..ES-2RS	WEIGHT (kg)	DIMENSIONS (mm)				DYNAMIC LOAD CAPACITY (N)	STATIC LOAD CAPACITY (N)	INA · ELGES		SKF		FAG	
			d	D	B	C			WITHOUT SEAL GE..DO	WITH SEALS GE..DO-2RS	WITHOUT SEAL GE..E(S)	WITH SEALS GE..ES-2RS	WITHOUT SEAL GE..E(S)	WITH SEALS GE..ES.2RS
GE 4 E	—	0.003	4	12	5	3	2350	14100	—	—	GE 4 E	—	GE 4 E	—
GE 5 E	—	0.004	5	14	6	4	3920	23500	—	—	GE 5 E	—	—	—
GE 6 E	—	0.004	6	14	6	4	3920	23500	GE 6 DO	—	GE 6 E	—	GE 6 E	—
GE 8 E	—	0.008	8	16	8	5	6370	38200	GE 8 DO	—	GE 8 E	—	GE 8 E	—
GE 10 E	—	0.012	10	19	9	6	9410	56500	GE 10 DO	—	GE 10 E	—	GE 10 E	—
GE 12 E	—	0.017	12	22	10	7	12400	74100	GE 12 DO	—	GE 12 E	—	GE 12 E	—
GE 15 ES	GE 15 ES-2RS	0.032	15	26	12	9	19400	117000	GE 15 DO	—	GE 15 ES	—	GE 15 ES	GE 15 ES.2RS
GE 17 ES	GE 17 ES-2RS	0.049	17	30	14	10	24500	147000	GE 17 DO	GE 17 DO-2RS	GE 17 ES	—	GE 17 ES	GE 17 ES.2RS
GE 20 ES	GE 20 ES-2RS	0.065	20	35	16	12	34100	205000	GE 20 DO	GE 20 DO-2RS	GE 20 ES	GE 20 ES-2RS	GE 20 ES	GE 20 ES.2RS
GE 25 ES	GE 25 ES-2RS	0.115	25	42	20	16	55700	334000	GE 25 DO	GE 25 DO-2RS	GE 25 ES	GE 25 ES-2RS	GE 25 ES	GE 25 ES.2RS
GE 30 ES	GE 30 ES-2RS	0.16	30	47	22	18	71800	431000	GE 30 DO	GE 30 DO-2RS	GE 30 ES	GE 30 ES-2RS	GE 30 ES	GE 30 ES.2RS
GE 35 ES	GE 35 ES-2RS	0.258	35	55	25	20	92200	553000	GE 35 DO	GE 35 DO-2RS	GE 35 ES	GE 35 ES-2RS	GE 35 ES	GE 35 ES.2RS
GE 40 ES	GE 40 ES-2RS	0.315	40	62	28	22	114000	686000	GE 40 DO	GE 40 DO-2RS	GE 40 ES	GE 40 ES-2RS	GE 40 ES	GE 40 ES.2RS
GE 45 ES	GE 45 ES-2RS	0.413	45	68	32	25	147000	883000	GE 45 DO	GE 45 DO-2RS	GE 45 ES	GE 45 ES-2RS	GE 45 ES	GE 45 ES.2RS
GE 50 ES	GE 50 ES-2RS	0.56	50	75	35	28	181000	1090000	GE 50 DO	GE 50 DO-2RS	GE 50 ES	GE 50 ES-2RS	GE 50 ES	GE 50 ES.2RS
GE 60 ES	GE 60 ES-2RS	1.1	60	90	44	36	282000	1690000	GE 60 DO	GE 60 DO-2RS	GE 60 ES	GE 60 ES-2RS	GE 60 ES	GE 60 ES.2RS
GE 70 ES	GE 70 ES-2RS	1.54	70	105	49	40	361000	2170000	GE 70 DO	GE 70 DO-2RS	GE 70 ES	GE 70 ES-2RS	GE 70 ES	GE 70 ES.2RS
GE 80 ES	GE 80 ES-2RS	2.29	80	120	55	45	463000	2780000	GE 80 DO	GE 80 DO-2RS	GE 80 ES	GE 80 ES-2RS	GE 80 ES	GE 80 ES.2RS
GE 90 ES	GE 90 ES-2RS	2.82	90	130	60	50	564000	3380000	GE 90 DO	GE 90 DO-2RS	GE 90 ES	GE 90 ES-2RS	GE 90 ES	GE 90 ES.2RS
GE 100 ES	GE 100 ES-2RS	4.43	100	150	70	55	701000	4210000	GE 100 DO	GE 100 DO-2RS	GE 100 ES	GE 100 ES-2RS	GE 100 ES	GE 100 ES.2RS
GE 110 ES	GE 110 ES-2RS	4.94	110	160	70	55	755000	4530000	GE 110 DO	GE 110 DO-2RS	GE 110 ES	GE 110 ES-2RS	GE 110 ES	GE 110 ES.2RS
GE 120 ES	GE 120 ES-2RS	8.12	120	180	85	70	1100000	6590000	GE 120 DO	GE 120 DO-2RS	GE 120 ES	GE 120 ES-2RS	GE 120 ES	GE 120 ES.2RS
GE 140 ES	GE 140 ES-2RS	11.4	140	210	90	70	1240000	7410000	GE 140 DO	GE 140 DO-2RS	GE 140 ES	GE 140 ES-2RS	GE 140 ES	GE 140 ES.2RS
GE 160 ES	GE 160 ES-2RS	14.4	160	230	105	80	1570000	9410000	GE 160 DO	GE 160 DO-2RS	GE 160 ES	GE 160 ES-2RS	GE 160 ES	GE 160 ES.2RS
GE 180 ES	GE 180 ES-2RS	18.9	180	260	105	80	1770000	10600000	GE 180 DO	GE 180 DO-2RS	GE 180 ES	GE 180 ES-2RS	GE 180 ES	GE 180 ES.2RS
GE 200 ES	GE 200 ES-2RS	28.1	200	290	130	100	2450000	14700000	GE 200 DO	GE 200 DO-2RS	GE 200 ES	GE 200 ES-2RS	GE 200 ES	GE 200 ES.2RS
GE 220 ES	GE 220 ES-2RS	36.1	220	320	135	100	2700000	16200000	—	GE 220 DO-2RS	—	GE 220 ES-2RS	—	GE 220 ES.2RS
GE 240 ES	GE 240 ES-2RS	40.4	240	340	140	100	2940000	17700000	—	GE 240 DO-2RS	—	GE 240 ES-2RS	—	GE 240 ES.2RS
GE 260 ES	GE 260 ES-2RS	52	260	370	150	110	3510000	21000000	—	GE 260 DO-2RS	—	GE 260 ES-2RS	—	GE 260 ES.2RS
GE 280 ES	GE 280 ES-2RS	66	280	400	155	120	4120000	24700000	—	GE 280 DO-2RS	—	GE 280 ES-2RS	—	GE 280 ES.2RS
GE 300 ES	GE 300 ES-2RS	76	300	430	165	120	4410000	26500000	—	GE 300 DO-2RS	—	GE 300 ES-2RS	—	GE 300 ES.2RS

SPHERICAL BUSHINGS

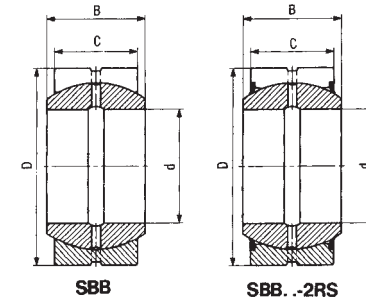
Metric Dimension



DIMENSION TABLE

INTERCHANGE TABLE

IKO NUMBER WITHOUT SEAL GE..G(S)	IKO NUMBER WITH SEALS GE..GS-2RS	WEIGHT (kg)	DIMENSIONS (mm)				DYNAMIC LOAD CAPACITY (N)	STATIC LOAD CAPACITY (N)	INA · ELGES		SKF		FAG WITH SEALS GEH..ES.2RS
			d	D	B	C			WITHOUT SEAL GE..FO	WITH SEALS GE..FO-2RS	WITHOUT SEAL GEH..ES	WITH SEALS GEH..ES-2RS	
GE 6 G	—	0.01	6	16	9	5	6370	38200	GE 6 FO	—	—	—	—
GE 8 G	—	0.015	8	19	11	6	9410	56500	GE 8 FO	—	—	—	—
GE 10 G	—	0.022	10	22	12	7	12400	74100	GE 10 FO	—	—	—	—
GE 12 G	—	0.041	12	26	15	9	19400	117000	GE 12 FO	—	—	—	—
GE 15 GS	GE 15 GS-2RS	0.059	15	30	16	10	24500	147000	GE 15 FO	GE 15 FO-2RS	—	—	—
GE 17 GS	GE 17 GS-2RS	0.083	17	35	20	12	34100	205000	GE 17 FO	GE 17 FO-2RS	—	—	—
GE 20 GS	GE 20 GS-2RS	0.155	20	42	25	16	55700	334000	GE 20 FO	GE 20 FO-2RS	—	GEH 20 ES-2RS	—
GE 25 GS	GE 25 GS-2RS	0.215	25	47	28	18	71800	431000	GE 25 FO	GE 25 FO-2RS	—	GEH 25 ES-2RS	—
GE 30 GS	GE 30 GS-2RS	0.33	30	55	32	20	92200	553000	GE 30 FO	GE 30 FO-2RS	—	GEH 30 ES-2RS	GEH 30 ES.2RS
GE 35 GS	GE 35 GS-2RS	0.4	35	62	35	22	114000	686000	GE 35 FO	GE 35 FO-2RS	—	GEH 35 ES-2RS	GEH 35 ES.2RS
GE 40 GS	GE 40 GS-2RS	0.515	40	68	40	25	147000	883000	GE 40 FO	GE 40 FO-2RS	—	GEH 40 ES-2RS	GEH 40 ES.2RS
GE 45 GS	GE 45 GS-2RS	0.66	45	75	43	28	181000	1090000	GE 45 FO	GE 45 FO-2RS	—	GEH 45 ES-2RS	GEH 45 ES.2RS
GE 50 GS	GE 50 GS-2RS	1.5	50	90	56	36	282000	1690000	GE 50 FO	GE 50 FO-2RS	—	GEH 50 ES-2RS	GEH 50 ES.2RS
GE 60 GS	GE 60 GS-2RS	2.05	60	105	63	40	361000	2170000	GE 60 FO	GE 60 FO-2RS	—	GEH 60 ES-2RS	GEH 60 ES.2RS
GE 70 GS	GE 70 GS-2RS	3	70	120	70	45	463000	2780000	GE 70 FO	GE 70 FO-2RS	GEH 70 ES	GEH 70 ES-2RS	GEH 70 ES.2RS
GE 80 GS	GE 80 GS-2RS	3.6	80	130	75	50	564000	3380000	GE 80 FO	GE 80 FO-2RS	—	GEH 80 ES-2RS	GEH 80 ES.2RS
GE 90 GS	GE 90 GS-2RS	5.41	90	150	85	55	701000	4210000	GE 90 FO	GE 90 FO-2RS	GEH 90 ES	GEH 90 ES-2RS	GEH 90 ES.2RS
GE 100 GS	GE 100 GS-2RS	6.15	100	160	85	55	755000	4530000	GE 100 FO	GE 100 FO-2RS	—	GEH 100 ES-2RS	GEH 100 ES.2RS
GE 110 GS	GE 110 GS-2RS	9.7	110	180	100	70	1100000	6590000	GE 110 FO	GE 110 FO-2RS	—	GEH 110 ES-2RS	GEH 110 ES.2RS
GE 120 GS	GE 120 GS-2RS	15.5	120	210	115	70	1240000	7410000	GE 120 FO	GE 120 FO-2RS	GEH 120 ES	—	—
GE 140 GS	GE 140 GS-2RS	19.2	140	230	130	80	1570000	9410000	GE 140 FO	GE 140 FO-2RS	—	—	—
GE 160 GS	GE 160 GS-2RS	25.4	160	260	135	80	1770000	10600000	GE 160 FO	GE 160 FO-2RS	—	—	—
GE 180 GS	GE 180 GS-2RS	34.7	180	290	155	100	2450000	14700000	GE 180 FO	GE 180 FO-2RS	—	—	—
GE 200 GS	GE 200 GS-2RS	43.8	200	320	165	100	2700000	16200000	—	GE 200 FO-2RS	—	—	—
GE 220 GS	GE 220 GS-2RS	51.3	220	340	175	100	2940000	17700000	—	GE 220 FO-2RS	—	—	—
GE 240 GS	GE 240 GS-2RS	66.1	240	370	190	110	3510000	21000000	—	GE 240 FO-2RS	—	—	—
GE 260 GS	GE 260 GS-2RS	81.8	260	400	205	120	4120000	24700000	—	GE 260 FO-2RS	—	—	—
GE 280 GS	GE 280 GS-2RS	97.4	280	430	210	120	4410000	26500000	—	GE 280 FO-2RS	—	—	—



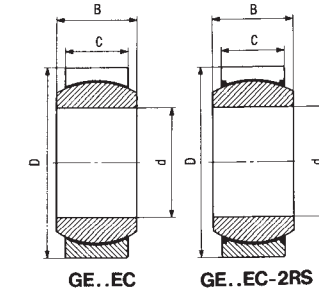
DIMENSION TABLE

INTERCHANGE TABLE

IKO NUMBER WITHOUT SEAL SBB	WEIGHT (kg)	IKO NUMBER WITH SEALS SBB..-2RS	WEIGHT (kg)	DIMENSIONS								DYNAMIC LOAD CAPACITY (N)	STATIC LOAD CAPACITY (N)	TORRINGTON		R.B.C.		INA·ELGES		SKF	
				d		D		B		C				WITHOUT SEAL ..SF..	WITH SEALS ..SF..TT(SS)	WITHOUT SEAL B..L	WITH SEALS B..LSS	WITHOUT SEAL GE..ZO	WITH SEALS GE..ZO-2RS	WITHOUT SEAL GEZ..ES	WITH SEALS GEZ..ES-2RS
				inch	mm	inch	mm	inch	mm	inch	mm										
SBB 8	0.02	—	0.02	½	12.700	⅞	22.225	0.437	11.100	0.375	9.52	16800	101000	5 SF 8	—	B 8-L	—	GE 12 ZO	—	GEZ 008 ES	—
SBB 10	0.036	—	0.036	⅝	15.875	1⅛	26.988	0.547	13.890	0.469	11.91	26900	161000	6 SF 10	—	B 10-L	—	GE 15 ZO	—	GEZ 010 ES	—
SBB 12	0.057	SBB 12-2RS	0.057	¾	19.050	1¼	31.750	0.656	16.660	0.562	14.27	38500	231000	7 SF 12	7 SF 12-TT	B 12-L	B 12-LSS	GE 19 ZO	GE 19 ZO-2RS	GEZ 012 ES	—
SBB 14	0.088	SBB 14-2RS	0.088	⅞	22.225	1⅙	36.512	0.765	19.430	0.656	16.66	52300	314000	8 SF 14	8 SF 14-TT	B 14-L	B 14-LSS	GE 22 ZO	GE 22 ZO-2RS	GEZ 014 ES	—
SBB 16	0.125	SBB 16-2RS	0.125	1	25.400	1⅝	41.275	0.875	22.220	0.750	19.05	67300	404000	10 SF 16	10 SF 16-TT	B 16-L	B 16-LSS	GE 25 ZO	GE 25 ZO-2RS	GEZ 100 ES	GEZ 100 ES-2RS
SBB 20	0.234	SBB 20-2RS	0.234	1¼	31.750	2	50.800	1.093	27.760	0.937	23.80	105000	630000	12 SF 20	12 SF 20-TT	B 20-L	B 20-LSS	GE 31 ZO	GE 31 ZO-2RS	GEZ 104 ES	GEZ 104 ES-2RS
SBB 22	0.349	SBB 22-2RS	0.349	1⅜	34.925	2⅜	55.562	1.187	30.150	1.031	26.19	126000	755000	13 SF 22	13 SF 22-TT	B 22-L	B 22-LSS	GE 34 ZO	GE 34 ZO-2RS	GEZ 106 ES	—
SBB 24	0.424	SBB 24-2RS	0.424	1½	38.100	2⅞	61.912	1.312	33.320	1.125	28.58	154000	925000	15 SF 24	15 SF 24-TT	B 24-L	B 24-LSS	GE 38 ZO	GE 38 ZO-2RS	GEZ 108 ES	GEZ 108 ES-2RS
SBB 28	0.649	SBB 28-2RS	0.649	1¾	44.450	2⅞	71.438	1.531	38.890	1.312	33.32	209000	1250000	17 SF 28	17 SF 28-TT	B 28-L	B 28-LSS	GE 44 ZO	GE 44 ZO-2RS	GEZ 112 ES	GEZ 112 ES-2RS
SBB 32	0.939	SBB 32-2RS	0.939	2	50.800	3⅜	80.962	1.750	44.450	1.500	38.10	273000	1640000	20 SF 32	20 SF 32-TT	B 32-L	B 32-LSS	GE 50 ZO	GE 50 ZO-2RS	GEZ 200 ES	GEZ 200 ES-2RS
SBB 36	1.32	SBB 36-2RS	1.32	2¼	57.150	3⅝	90.488	1.969	50.010	1.687	42.85	345000	2070000	22 SF 36	22 SF 36-TT	B 36-L	B 36-LSS	GE 57 ZO	GE 57 ZO-2RS	GEZ 204 ES	GEZ 204 ES-2RS
SBB 40	1.85	SBB 40-2RS	1.85	2½	63.500	3⅝	100.012	2.187	55.550	1.875	47.62	425000	2550000	25 SF 40	25 SF 40-TT	B 40-L	B 40-LSS	GE 63 ZO	GE 63 ZO-2RS	GEZ 208 ES	GEZ 208 ES-2RS
SBB 44	2.44	SBB 44-2RS	2.44	2¾	69.850	4⅜	111.125	2.406	61.110	2.062	52.37	514000	3080000	27 SF 44	27 SF 44-SS	B 44-L	B 44-LSS	GE 69 ZO	GE 69 ZO-2RS	GEZ 212 ES	GEZ 212 ES-2RS
SBB 48	3.12	SBB 48-2RS	3.12	3	76.200	4¾	120.650	2.625	66.680	2.250	57.15	616000	3700000	30 SF 48	30 SF 48-SS	B 48-L	B 48-LSS	GE 76 ZO	GE 76 ZO-2RS	GEZ 300 ES	GEZ 300 ES-2RS
SBB 52	3.92	SBB 52-2RS	3.92	3¼	82.550	5⅞	130.175	2.844	72.240	2.437	61.90	722000	4330000	32 SF 52	32 SF 52-SS	B 52-L	B 52-LSS	GE 82 ZO	GE 82 ZO-2RS	GEZ 304 ES	GEZ 304 ES-2RS
SBB 56	4.83	SBB 56-2RS	4.83	3½	88.900	5½	139.700	3.062	77.770	2.625	66.68	837000	5020000	35 SF 56	35 SF 56-SS	B 56-L	B 56-LSS	GE 88 ZO	—	GEZ 308 ES	GEZ 308 ES-2RS
SBB 60	5.87	SBB 60-2RS	5.87	3¾	95.250	5⅞	149.225	3.281	83.340	2.812	71.42	960000	5760000	37 SF 60	37 SF 60-SS	B 60-L	B 60-LSS	GE 95 ZO	—	GEZ 312 ES	GEZ 312 ES-2RS
SBB 64	7.07	SBB 64-2RS	7.07	4	101.600	6¼	158.750	3.500	88.900	3.000	76.20	1090000	6550000	40 SF 64	40 SF 64-SS	B 64-L	B 64-LSS	GE 101 ZO	—	GEZ 400 ES	GEZ 400 ES-2RS
SBB 68	8.46	SBB 68-2RS	8.46	4¼	107.950	6⅝	168.275	3.719	94.460	3.187	80.95	1230000	7380000	42 SF 68	42 SF 68-SS	—	—	GE 107 ZO	—	—	—
SBB 72	9.94	SBB 72-2RS	9.94	4½	114.300	7	177.800	3.937	100.000	3.375	85.72	1380000	8270000	45 SF 72	45 SF 72-SS	B 72-9L	B 72-9LSS	GE 114 ZO	—	GEZ 408 ES	GEZ 408 ES-2RS
SBB 76	11.6	SBB 76-2RS	11.6	4¾	120.650	7⅜	187.325	4.156	105.560	3.562	90.47	1530000	9210000	47 SF 76	47 SF 76-SS	—	—	GE 120 ZO	—	GEZ 412 ES	GEZ 412 ES-2RS
SBB 80	13.5	SBB 80-2RS	13.5	5	127.000	7¾	196.850	4.375	111.120	3.750	95.25	1710000	10300000	50 SF 80	50 SF 80-SS	B 80-9L	B 80-9LSS	GE 127 ZO	—	GEZ 500 ES	GEZ 500 ES-2RS
SBB 96	17.6	SBB 96-2RS	17.6	6	152.400	8¾	222.250	4.750	120.650	4.125	104.78	2130000	12800000	60 SF 96	60 SF 96-SS	B 96-9L	B 96-9LSS	GE 152 ZO	—	GEZ 600 ES	GEZ 600 ES-2RS

SPHERICAL BUSHINGS

Metric Dimension



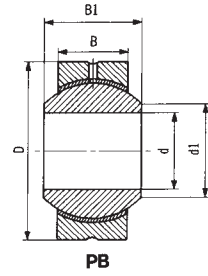
DIMENSION TABLE

INTERCHANGE TABLE

IKO NUMBER WITHOUT SEAL GE..EC	WEIGHT (kg)	IKO NUMBER WITH SEALS GE..EC-2RS	WEIGHT (kg)	DIMENSIONS (mm)				DYNAMIC LOAD CAPACITY (N)	STATIC LOAD CAPACITY (N)	INA · ELGES		SKF WITH SEALS GE..TE-2RS	FAG WITH SEALS GE..UA.2RS	TORRINGTON WITH SEALS ..FSL..
				d	D	B	C			WITHOUT SEAL GE..UK	WITH SEALS GE..UK-2RS			
GE 15 EC	0.032	—	—	15	26	12	9	19400	48500	GE 15 UK	—	—	—	—
GE 17 EC	0.049	—	—	17	30	14	10	24500	61300	GE 17 UK	—	—	—	—
GE 20 EC	0.065	—	—	20	35	16	12	34100	85300	GE 20 UK	—	—	—	—
GE 25 EC	0.115	—	—	25	42	20	16	55700	139000	GE 25 UK	—	—	—	—
GE 30 EC	0.16	GE 30 EC-2RS	0.16	30	47	22	18	71800	180000	GE 30 UK	GE 30 UK-2RS	—	—	30 FSL 47
—	—	GE 35 EC-2RS	0.258	35	55	25	20	92200	230000	—	GE 35 UK-2RS	GE 35 TE-2RS	GE 35 UA.2RS	35 FSL 55
—	—	GE 40 EC-2RS	0.315	40	62	28	22	114000	286000	—	GE 40 UK-2RS	GE 40 TE-2RS	GE 40 UA.2RS	40 FSL 62
—	—	GE 45 EC-2RS	0.413	45	68	32	25	147000	368000	—	GE 45 UK-2RS	GE 45 TE-2RS	GE 45 UA.2RS	45 FSL 68
—	—	GE 50 EC-2RS	0.56	50	75	35	28	181000	453000	—	GE 50 UK-2RS	GE 50 TE-2RS	GE 50 UA.2RS	50 FSL 75
—	—	GE 60 EC-2RS	1.1	60	90	44	36	282000	706000	—	GE 60 UK-2RS	GE 60 TE-2RS	GE 60 UA.2RS	60 FSL 90
—	—	GE 70 EC-2RS	1.54	70	105	49	40	361000	902000	—	GE 70 UK-2RS	GE 70 TE-2RS	GE 70 UA.2RS	70 FSL 105

"PILLO-BALL"

Metric Dimension



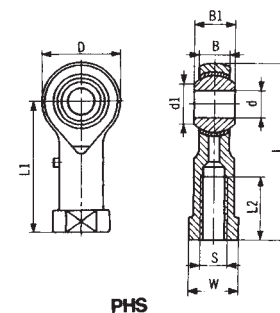
DIMENSION TABLE

INTERCHANGE TABLE

IKO NUMBER	WEIGHT	DIMENSIONS					DYNAMIC LOAD CAPACITY (N)	STATIC LOAD CAPACITY (N)	HIRSCHMANN
		(mm)							
PB	(g)	d	D	B	B1	d1			SS
PB 5	8.5	5	16	6	8	7.7	3270	7850	SS 5
PB 6	13	6	18	6.75	9	9	4200	10100	SS 6
PB 8	24	8	22	9	12	10.4	7010	16800	SS 8
PB 10	39	10	26	10.5	14	12.9	9810	23500	SS 10
PB 12	58	12	30	12	16	15.4	13100	31400	SS 12
PB 14	84	14	34	13.5	19	16.9	16800	40400	SS 14
PB 16	111	16	38	15	21	19.4	21000	50400	SS 16
PB 18	160	18	42	16.5	23	21.9	25700	61600	SS 18
PB 20	210	20	46	18	25	24.4	30800	74000	SS 20
PB 22	265	22	50	20	28	25.8	37400	89700	SS 22
PB 25	390	25	56	22	31	29.6	46200	111000	SS 25
PB 28	410	28	62	25	35	32.3	58400	140000	—
PB 30	610	30	66	25	37	34.8	62300	149000	SS 30

"PILLO-BALL" ROD ENDS

Metric Dimension



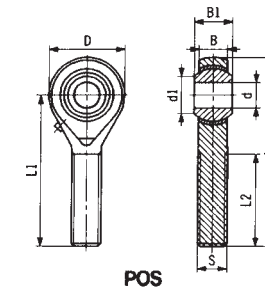
DIMENSION TABLE

IKO NUMBER PHS	WEIGHT (g)	DIMENSIONS (mm)										DYNAMIC LOAD CAPACITY (N)	STATIC LOAD CAPACITY (N)	ELGES	SKF	HIRSCHMANN
		d	THREAD S	D	B	B1	d1	L	L1	L2	W			GIKFR..PB	SIKAC..M	SF
PHS 3	5.7	3	M3×0.5	12	4.5	6	5.2	27	21	10	5.5	1750	3670	—	—	SF 3
PHS 4	11.9	4	M4×0.7	14	5.3	7	6.5	31	24	12	8	2480	4680	—	—	—
PHS 5	16.5	5	M5×0.8	16	6	8	7.7	35	27	14	9	3270	5730	GIKFR 5 PB	SIKAC 5 M	SF 5
PHS 6	25	6	M6×1	18	6.75	9	9	39	30	14	11	4200	6910	GIKFR 6 PB	SIKAC 6 M	SF 6
PHS 8	43	8	M8×1.25	22	9	12	10.4	47	36	17	14	7010	10200	GIKFR 8 PB	SIKAC 8 M	SF 8
PHS 10	72	10	M10×1.5	26	10.5	14	12.9	56	43	21	17	9810	13300	GIKFR 10 PB	SIKAC 10 M	SF 10
PHS 12	107	12	M12×1.75	30	12	16	15.4	65	50	24	19	13100	16900	GIKFR 12 PB	SIKAC 12 M	SF 12
PHS 14	160	14	M14×2	34	13.5	19	16.9	74	57	27	22	16800	20900	GIKFR 14 PB	SIKAC 14 M	SF 14
PHS 16	210	16	M16×2	38	15	21	19.4	83	64	33	22	21000	25400	GIKFR 16 PB	SIKAC 16 M	SF 16
PHS 18	295	18	M18×1.5	42	16.5	23	21.9	92	71	36	27	25700	30200	GIKFR 18 PB	SIKAC 18 M	SF 18
PHS 20	380	20	M20×1.5	46	18	25	24.4	100	77	40	30	30800	35500	GIKFR 20 PB	SIKAC 20 M	SF 20
PHS 22	490	22	M22×1.5	50	20	28	25.8	109	84	43	32	37400	41700	GIKFR 22 PB	SIKAC 22 M	SF 22
PHS 25	750	25	M24×2	60	22	31	29.6	124	94	48	36	46200	72700	GIKFR 25 PB	SIKAC 25 M	SF 25
PHS 28	950	28	M27×2	66	25	35	32.3	136	103	53	41	58400	87000	—	—	—
PHS 30	1130	30	M30×2	70	25	37	34.8	145	110	56	41	62300	92200	GIKFR 30 PB	SIKAC 30 M	SF 30

Remark : Left hand thread is indicated with supplemental code "L". Ex. PHS 8 L

"PILLO-BALL" ROD ENDS

Metric Dimension



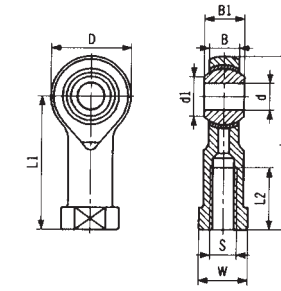
DIMENSION TABLE

IKO NUMBER POS	WEIGHT (g)	DIMENSIONS (mm)									DYNAMIC LOAD CAPACITY (N)	STATIC LOAD CAPACITY (N)	ELGES	SKF	HIRSCHMANN
		d	THREAD S	D	B	B1	d1	L	L1	L2			GAKFR..PB	SAKAC..M	SM
POS 3	5	3	M3×0.5	12	4.5	6	5.2	33	27	15	1750	1220	—	—	SM 3
POS 4	8.1	4	M4×0.7	14	5.3	7	6.5	37	30	17	2480	2060	—	—	—
POS 5	12.5	5	M5×0.8	16	6	8	7.7	41	33	20	3270	3340	GAKFR 5 PB	SAKAC 5 M	SM 5
POS 6	19	6	M6×1	18	6.75	9	9	45	36	22	4200	4730	GAKFR 6 PB	SAKAC 6 M	SM 6
POS 8	32	8	M8×1.25	22	9	12	10.4	53	42	25	7010	8640	GAKFR 8 PB	SAKAC 8 M	SM 8
POS 10	54	10	M10×1.5	26	10.5	14	12.9	61	48	29	9810	13300	GAKFR 10 PB	SAKAC 10 M	SM 10
POS 12	85	12	M12×1.75	30	12	16	15.4	69	54	33	13100	16900	GAKFR 12 PB	SAKAC 12 M	SM 12
POS 14	126	14	M14×2	34	13.5	19	16.9	77	60	36	16800	20900	GAKFR 14 PB	SAKAC 14 M	SM 14
POS 16	185	16	M16×2	38	15	21	19.4	85	66	40	21000	25400	GAKFR 16 PB	SAKAC 16 M	SM 16
POS 18	260	18	M18×1.5	42	16.5	23	21.9	93	72	44	25700	30200	GAKFR 18 PB	SAKAC 18 M	SM 18
POS 20	340	20	M20×1.5	46	18	25	24.4	101	78	47	30800	35500	GAKFR 20 PB	SAKAC 20 M	SM 20
POS 22	435	22	M22×1.5	50	20	28	25.8	109	84	51	37400	41700	GAKFR 22 PB	SAKAC 22 M	SM 22
POS 25	650	25	M24×2	60	22	31	29.6	124	94	57	46200	72700	GAKFR 25 PB	SAKAC 25 M	SM 25
POS 28	875	28	M27×2	66	25	35	32.3	136	103	62	58400	87000	—	—	—
POS 30	1070	30	M30×2	70	25	37	34.8	145	110	66	62300	92200	GAKFR 30 PB	SAKAC 30 M	SM 30

Remark : Left hand thread is indicated with supplemental code "L". Ex. POS 8 L

"PILLO-BALL" ROD ENDS

Inch Dimension



PHSB

DIMENSION TABLE

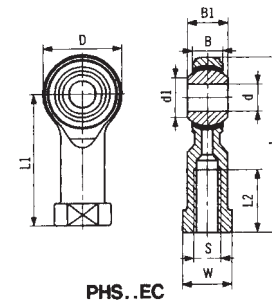
INTERCHANGE TABLE

IKO NUMBER	WEIGHT	DIMENSIONS												DYNAMIC LOAD CAPACITY (N)	STATIC LOAD CAPACITY (N)	INTERCHANGE TABLE											
		d		THREAD S CLASS 3B	D		B		B1		d1		L			L1		L2		W		HEIM	ALINABAL	AURORA	SPHERCO	ROSE	
PHSB	(g)	inch	mm		inch	mm	inch	mm	inch	mm	inch	mm	inch	mm	inch	mm	inch	mm	inch	mm	(N)	(N)	HF..(A)	VF	MW	TR	RF..(A)
PHSB 2	7	.1250	3.175	.1380-32UNC	.469	11.91	.187	4.75	.250	6.35	.187	4.75	1.046	26.57	.812	20.62	.375	9.53	.250	6.35	1850	5840	HF 2	—	—	—	RF 2
PHSB 2.5	11	.1562	3.967	.1640-32UNC	.562	14.27	.219	5.56	.281	7.14	.249	6.32	1.156	29.36	.875	22.23	.375	9.53	.281	7.14	2600	8210	HF 2A	—	—	—	RF 2A
PHSB 3	15	.1900	4.826	.1900-32UNF	.625	15.88	.250	6.35	.312	7.92	.306	7.77	1.375	34.93	1.062	26.97	.562	14.27	.312	7.92	3460	9090	HF 3	VF 3	MW 3	TR 3	RF 3
PHSB 4	25	.2500	6.350	.2500-28UNF	.750	19.05	.281	7.14	.375	9.53	.355	9.02	1.687	42.85	1.312	33.32	.750	19.05	.375	9.53	4590	13200	HF 4	VF 4	MW 4	TR 4	RF 4
PHSB 5	36	.3125	7.938	.3125-24UNF	.875	22.23	.344	8.74	.437	11.10	.447	11.35	1.812	46.02	1.375	34.93	.750	19.05	.437	11.10	6800	16500	HF 5	VF 5	MW 5	TR 5	RF 5
PHSB 6	61	.3750	9.525	.3750-24UNF	1.000	25.40	.406	10.31	.500	12.70	.517	13.13	2.125	53.98	1.625	41.28	.937	23.80	.562	14.27	9230	21600	HF 6	VF 6	MW 6	TR 6	RF 6
PHSB 7	81	.4375	11.112	.4375-20UNF	1.125	28.58	.437	11.10	.562	14.27	.586	14.88	2.375	60.33	1.812	46.02	1.062	26.97	.625	15.88	11200	26100	HF 7	VF 7	MW 7	TR 7	RF 7
PHSB 8	133	.5000	12.700	.5000-20UNF	1.312	33.32	.500	12.70	.625	15.88	.698	17.73	2.781	70.64	2.125	53.98	1.187	30.15	.750	19.05	14800	36200	HF 8	VF 8	MW 8	TR 8	RF 8
PHSB 10	190	.6250	15.875	.6250-18UNF	1.500	38.10	.562	14.27	.750	19.05	.839	21.31	3.250	82.55	2.500	63.50	1.500	38.10	.875	22.23	20000	39300	HF 10	VF 10	MW 10	TR 10	RF 10
PHSB 12	285	.7500	19.050	.7500-16UNF	1.750	44.45	.687	17.45	.875	22.23	.978	24.84	3.750	95.25	2.875	73.03	1.750	44.45	1.000	25.40	28500	55000	HF 12	VF 12	MW 12	TR 12	RF 12
PHSB 16	1000	1.0000	25.400	1.2500-12UNF	2.750	69.85	1.000	25.40	1.375	34.925	1.269	32.23	5.500	139.70	4.125	104.78	2.125	53.98	1.500	38.10	59300	86800	HF 16	—	MW 16	TR 16	—

Remark : Left hand thread is indicated with supplemental code "L". Ex. PHSB 8 L

"PILLO-BALL" ROD ENDS

Metric Dimension



DIMENSION TABLE

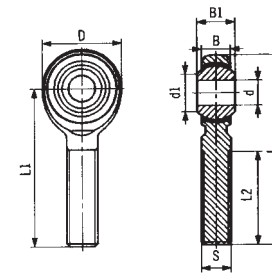
INTERCHANGE TABLE

IKO NUMBER PHS..EC	WEIGHT (g)	DIMENSIONS (mm)										DYNAMIC LOAD CAPACITY (N)	STATIC LOAD CAPACITY (N)	ELGES	SKF	HIRSCHMANN
		d	THREAD S	D	B	B1	d1	L	L1	L2	W			GIKFR..PW	SIKB..F	SFCV
PHS 3 EC	5.7	3	M3×0.5	12	4.5	6	5.2	27	21	10	5.5	3500	2480	—	—	—
PHS 4 EC	11.9	4	M4×0.7	14	5.3	7	6.5	31	24	12	8	4950	3260	—	—	—
PHS 5 EC	16.5	5	M5×0.8	16	6	8	7.7	35	27	12.5	9	6540	4010	GIKFR 5 PW	SIKB 5 F	SFCV 5
PHS 6 EC	25	6	M6×1	18	6.75	9	9	39	30	13.5	11	8410	4940	GIKFR 6 PW	SIKB 6 F	SFCV 6
PHS 8 EC	43	8	M8×1.25	22	9	12	10.4	47	36	16	14	14000	7760	GIKFR 8 PW	SIKB 8 F	SFCV 8
PHS 10 EC	72	10	M10×1.5	26	10.5	14	12.9	56	43	19.5	17	19600	10500	GIKFR 10 PW	SIKB 10 F	SFCV 10
PHS 12 EC	107	12	M12×1.75	30	12	16	15.4	65	50	24	19	26200	13700	GIKFR 12 PW	SIKB 12 F	SFCV 12
PHS 14 EC	160	14	M14×2	34	13.5	19	16.9	74	57	27	22	33600	17200	GIKFR 14 PW	SIKB 14 F	SFCV 14
PHS 16 EC	210	16	M16×2	38	15	21	19.4	83	64	33	22	42000	21100	GIKFR 16 PW	SIKB 16 F	SFCV 16
PHS 18 EC	295	18	M18×1.5	42	16.5	23	21.9	92	71	36	27	51400	25100	GIKFR 18 PW	SIKB 18 F	SFCV 18
PHS 20 EC	380	20	M20×1.5	46	18	25	24.4	100	77	40	30	61600	30000	GIKFR 20 PW	SIKB 20 F	SFCV 20
PHS 22 EC	490	22	M22×1.5	50	20	28	25.8	109	84	41	32	74700	36400	GIKFR 22 PW	SIKB 22 F	SFCV 22

Remark : Left hand thread is indicated with supplemental code "L". Ex. PHS 8 ECL

"PILLO-BALL" ROD ENDS

Metric Dimension



POS..EC

DIMENSION TABLE

INTERCHANGE TABLE

IKO NUMBER POS..EC	WEIGHT (g)	DIMENSIONS (mm)									DYNAMIC LOAD CAPACITY (N)	STATIC LOAD CAPACITY (N)	ELGES	SKF	HIRSCHMANN
		d	THREAD S	D	B	B1	d1	L	L1	L2			GAKFR..PW	SAKB..F	SMCV
POS 3 EC	5.0	3	M3×0.5	12	4.5	6	5.2	33	27	15	3500	1220	—	—	—
POS 4 EC	8.1	4	M4×0.7	14	5.3	7	6.5	37	30	17	4950	2060	—	—	—
POS 5 EC	12.5	5	M5×0.8	16	6	8	7.7	41	33	20	6540	3340	GAKFR 5 PW	SAKB 5 F	SMCV 5
POS 6 EC	19	6	M6×1	18	6.75	9	9	45	36	22	8410	4730	GAKFR 6 PW	SAKB 6 F	SMCV 6
POS 8 EC	32	8	M8×1.25	22	9	12	10.4	53	42	25	14000	7760	GAKFR 8 PW	SAKB 8 F	SMCV 8
POS 10 EC	54	10	M10×1.5	26	10.5	14	12.9	61	48	29	19600	10500	GAKFR 10 PW	SAKB 10 F	SMCV 10
POS 12 EC	85	12	M12×1.75	30	12	16	15.4	69	54	33	26200	13700	GAKFR 12 PW	SAKB 12 F	SMCV 12
POS 14 EC	126	14	M14×2	34	13.5	19	16.9	77	60	36	33600	17200	GAKFR 14 PW	SAKB 14 F	SMCV 14
POS 16 EC	185	16	M16×2	38	15	21	19.4	85	66	40	42000	21100	GAKFR 16 PW	SAKB 16 F	SMCV 16
POS 18 EC	260	18	M18×1.5	42	16.5	23	21.9	93	72	44	51400	25100	GAKFR 18 PW	SAKB 18 F	SMCV 18
POS 20 EC	340	20	M20×1.5	46	18	25	24.4	101	78	47	61600	30000	GAKFR 20 PW	SAKB 20 F	SMCV 20
POS 22 EC	435	22	M22×1.5	50	20	28	25.8	109	84	51	74700	36400	GAKFR 22 PW	SAKB 22 F	SMCV 22

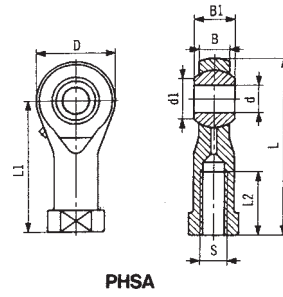
Remark : Left hand thread is indicated with supplemental code "L". Ex. PHS 8 ECL

IKO

PHSA

"PILLO-BALL" ROD ENDS

Metric Dimension



PHSA

DIMENSION TABLE

IKO NUMBER PHSA	WEIGHT (g)	DIMENSIONS (mm)									STATIC LOAD CAPACITY (N)
		d	THREAD S	D	B	B1	d1	L	L1	L2	
PHSA 5	17	5	M5×0.8	17	6	8	7.7	35.5	27	16	5470
PHSA 6	25	6	M6×1	19.5	6.75	9	9	39.7	30	16	6760
PHSA 8	45	8	M8×1.25	24	9	12	10.4	48	36	19	10200
PHSA 10	70	10	M10×1.5	28	10.5	14	12.9	57	43	23	13100
PHSA 12	105	12	M12×1.75	32	12	16	15.4	66	50	27	16400
PHSA 14	155	14	M14×2	36	13.5	19	16.9	75	57	30	20000
PHSA 16	190	16	M16×2	40	15	21	19.4	84	64	36	23900
PHSA 18	290	18	M18×1.5	45	16.5	23	21.9	93.5	71	40	28800
PHSA 20	400	20	M20×1.5	49	18	25	24.4	101.5	77	43	33400
PHSA 22	500	22	M22×1.5	54	20	28	25.8	111	84	47	40400

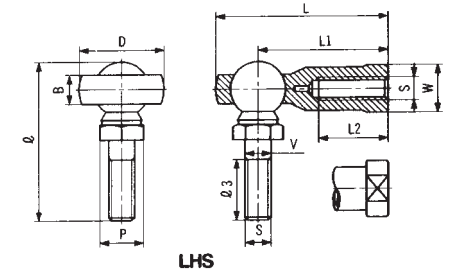
Remark : Left hand thread is indicated with supplemental code "L". Ex. PHSA 8 L

IKO

LHS

"L-BALL" ROD ENDS

Metric Dimension



LHS

DIMENSION TABLE

IKO NUMBER LHS	WEIGHT (g)	DIMENSIONS (mm)											STATIC LOAD CAPACITY (N)
		THREAD S	V	D	B	L	L1	L2	W	l	P	l3	
LHS 5	22	M5×0.8	5	17	6	35.5	27	16	9	30.5	8	11	2080
LHS 6	32	M6×1	6	19.5	6.75	39.7	30	16	11	36.5	10	14	3290
LHS 8	60	M8×1.25	8	24	9	48	36	19	14	44	11	15	4900
LHS 10	102	M10×1.5	10	28	10.5	57	43	23	17	52.5	13	18	7640
LHS 12	160	M12×1.75	12	32	12	66	50	27	19	61	17	20	12400
LHS 14	227	M14×2	14	36	13.5	75	57	30	22	69	17	22	14600
LHS 16	300	M16×2	16	40	15	84	64	36	22	74	19	23	19500
LHS 18	445	M18×1.5	18	45	16.5	93.5	71	40	27	84	22	25	25600
LHS 20	580	M20×1.5	20	49	18	101.5	77	43	30	90.5	24	27	31600
LHS 22	765	M22×1.5	22	54	20	111	84	47	32	99	27	30	39800

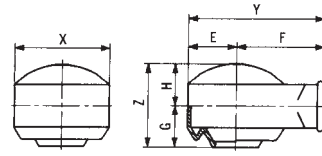
Remark : Left hand thread is indicated with supplemental code "L". Ex.LHS 8 L

IKO

PRC

DUST COVERS FOR "LHS"

Metric Dimension



PRC

DIMENSION TABLE

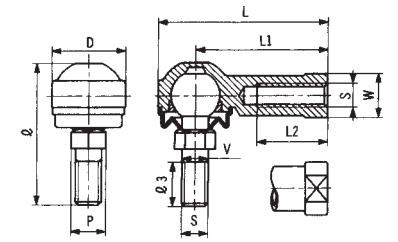
IKO NUMBER PRC	DIMENSIONS (mm)						
	X	Y	E	F	Z	G	H
PRC 5	20	29	10	19	16	8	8
PRC 6	22	31	11	20	19	9.5	9.5
PRC 8	27	38.5	13.5	25	24	12	12
PRC 10	31	45.5	15.5	30	27	14	13
PRC 12	36	53	18	35	32	16.5	15.5
PRC 14	40	60	20	40	36.5	19	17.5
PRC 16	44	68	22	46	40	20.5	19.5
PRC 18	49	74.5	24.5	50	46	23.5	22.5
PRC 20	54	82	27	55	50	25.5	24.5
PRC 22	59	89.5	29.5	60	53.5	27.5	26

IKO

LHSA

"L-BALL" ROD ENDS

Metric Dimension

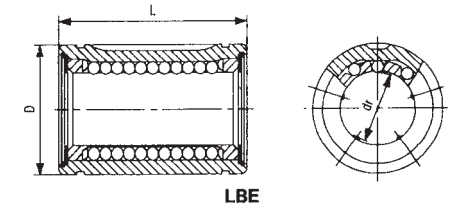


LHSA

DIMENSION TABLE

IKO NUMBER LHSA	WEIGHT (g)	THREAD S	DIMENSIONS (mm)										BALL DIA. (mm)	STATIC LOAD CAPACITY (N)
			V	D	L	L1	L2	W	ℓ	P	ℓ3			
LHSA 4	11	M4×0.7	4	14	25.5	18	8	8	19.5	5.5	5	8	880	
LHSA 5	27	M5×0.8	5	17	38.5	30	16	10	32.5	8	10	11.112	1180	
LHSA 6	27	M6×1	6	19	39.5	30	16	10	32.5	8	10	11.112	1670	
LHSA 8	64	M8×1.25	8	24	48	36	19	14	41.5	10	12.5	15	4380	
LHSA 10	106	M10×1.25	10	28	57	43	23	17	49	12	17	19.05	7400	
LHSA 10 M	106	M10×1.5	10	28	57	43	23	17	49	12	17	19.05	7400	
LHSA 12	180	M12×1.75	12	34	67	50	27	19	64	14	20	22.225	9900	
LHSA 14	260	M14×2	14	38	76	57	30	22	72	17	22	25.4	14600	

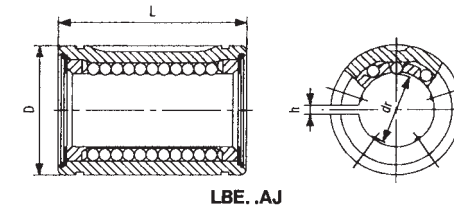
Remark : Left hand thread is indicated with supplemental code "L". Ex. LHSA 8 L



DIMENSION TABLE

INTERCHANGE TABLE

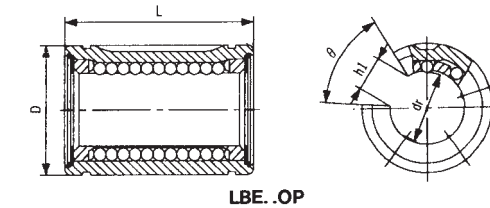
IKO NUMBER STANDARD TYPE LBE	NUMBER OF BALL CIRCUIT	WEIGHT (g)	DIMENSIONS (mm)			BASIC DYNAMIC LOAD RATING (N)		BASIC STATIC LOAD RATING (N)		STAR	THOMSON	INA	SKF	FAG
			dr	D	L	USUAL	MAX.	USUAL	MAX.	0600..	0600..	KB	LBA(C)R	LAA
LBE 5	3	8.6	5	12	22	90.6	73.6	213	213	0600-305-00	—	—	LBAR 5	LAA 5×12×22
LBE 8	3	16.9	8	16	25	121	98.6	255	255	0600-308-00	0600-308-00	—	LBAR 8	LAA 8×16×25
LBE 12	4	36.5	12	22	32	284	327	575	813	0600-012-00	0600-012-00	KB 1232	LBCR 12	LAA 12×22×32
LBE 16	4	47	16	26	36	311	357	587	830	0600-016-00	0600-016-00	KB 1636	LBCR 16	LAA 16×26×36
LBE 20	5	84.5	20	32	45	617	734	1150	1680	0600-020-00	0600-020-00	KB 2045	LBCR 20	LAA 20×32×45
LBE 25	5	161	25	40	58	1070	1270	2020	2960	0600-025-00	0600-025-00	KB 2558	LBCR 25	LAA 25×40×58
LBE 30	6	305	30	47	68	1560	1650	3060	3910	0600-030-00	0600-030-00	KB 3068	LBCR 30	LAA 30×47×68
LBE 40	6	555	40	62	80	2710	2870	4890	6250	0600-040-00	0600-040-00	KB 4080	LBCR 40	LAA 40×62×80
LBE 50	6	935	50	75	100	3940	4180	7130	9120	0600-050-00	0600-050-00	KB 50100	LBCR 50	LAA 50×75×100



DIMENSION TABLE

INTERCHANGE TABLE

IKO NUMBER ADJUSTABLE TYPE LBE..AJ	NUMBER OF BALL CIRCUIT	WEIGHT (g)	DIMENSIONS (mm)				BASIC DYNAMIC LOAD RATING (N)		BASIC STATIC LOAD RATING (N)		STAR	THOMSON	INA	SKF	FAG
			dr	D	L	h	USUAL	MAX.	USUAL	MAX.	0610..	0610..	KBS	LBAS	LAG
LBE 5 AJ	3	8.4	5	12	22	1.5	90.6	73.6	213	213	0610-305-00	—	—	LBAS 5	—
LBE 8 AJ	3	16.6	8	16	25	1.5	121	98.6	255	255	0610-308-00	—	—	LBAS 8	LAG 8×16×25
LBE 12 AJ	4	35.5	12	22	32	1.5	284	327	575	813	0610-012-00	0610-012-00	KBS 1232	—	LAG 12×22×32
LBE 16 AJ	4	46.5	16	26	36	1.5	311	357	587	830	0610-016-00	0610-016-00	KBS 1636	—	LAG 16×26×36
LBE 20 AJ	5	83	20	32	45	2.0	617	734	1150	1680	0610-020-00	0610-020-00	KBS 2045	—	LAG 20×32×45
LBE 25 AJ	5	159	25	40	58	2.0	1070	1270	2020	2960	0610-025-00	0610-025-00	KBS 2558	—	LAG 25×40×58
LBE 30 AJ	6	300	30	47	68	2.0	1560	1650	3060	3910	0610-030-00	0610-030-00	KBS 3068	—	LAG 30×47×68
LBE 40 AJ	6	545	40	62	80	2.0	2710	2870	4890	6250	0610-040-00	0610-040-00	KBS 4080	—	LAG 40×62×80
LBE 50 AJ	6	925	50	75	100	2.0	3940	4180	7130	9120	0610-050-00	0610-050-00	KBS 50100	—	LAG 50×75×100

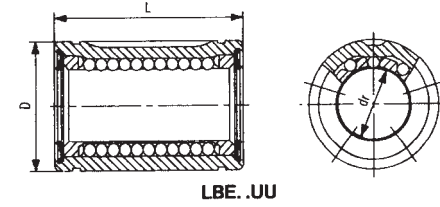


LBE..OP

DIMENSION TABLE

INTERCHANGE TABLE

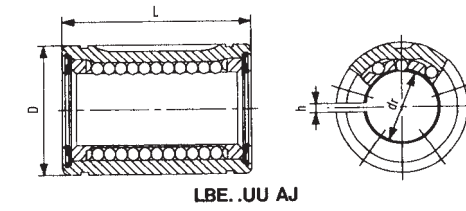
IKO NUMBER OPEN TYPE LBE..OP	NUMBER OF BALL CIRCUIT	WEIGHT (g)	DIMENSIONS (mm)					BASIC DYNAMIC LOAD RATING (N)		BASIC STATIC LOAD RATING (N)		STAR	THOMSON	INA	SKF	FAG
			dr	D	L	h1	θ	USUAL	MAX.	USUAL	MAX.	0630..	0630..	KBO	LBCT	LAN
LBE 12 OP	3	29.5	12	22	32	7.5	78°	284	327	575	813	0630-012-00	0630-012-00	KBO 1232	LBCT 12	LAN 12×22×32
LBE 16 OP	3	37.5	16	26	36	10	78°	311	357	587	830	0630-016-00	0630-016-00	KBO 1636	LBCT 16	LAN 16×26×36
LBE 20 OP	4	72	20	32	45	10	60°	617	734	1150	1680	0630-020-00	0630-020-00	KBO 2045	LBCT 20	LAN 20×32×45
LBE 25 OP	4	141	25	40	58	12.5	60°	1070	1270	2020	2960	0630-025-00	0630-025-00	KBO 2558	LBCT 25	LAN 25×40×58
LBE 30 OP	5	265	30	47	68	12.5	50°	1560	1650	3060	3910	0630-030-00	0630-030-00	KBO 3068	LBCT 30	LAN 30×47×68
LBE 40 OP	5	480	40	62	80	16.8	50°	2710	2870	4890	6250	0630-040-00	0630-040-00	KBO 4080	LBCT 40	LAN 40×62×80
LBE 50 OP	5	815	50	75	100	21	50°	3940	4180	7130	9120	0630-050-00	0630-050-00	KBO 50100	LBCT 50	LAN 50×75×100



DIMENSION TABLE

INTERCHANGE TABLE

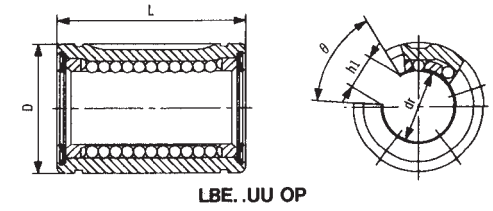
IKO NUMBER STANDARD TYPE LBE..UU	NUMBER OF BALL CIRCUIT	WEIGHT (g)	DIMENSIONS (mm)			BASIC DYNAMIC LOAD RATING (N)		BASIC STATIC LOAD RATING (N)		STAR	THOMSON	INA	SKF	FAG
			dr	D	L	USUAL	MAX.	USUAL	MAX.	0602..	0602..	KB..PP	LBA(C)R..2LS	LAA..2RS
LBE 5 UU	3	8.6	5	12	22	90.6	73.6	213	213	0602-305-10	—	—	LBAR 5-2LS	LAA 5×12×22.2RS
LBE 8 UU	3	17	8	16	25	121	98.6	255	255	0602-308-10	0602-308-10	—	LBAR 8-2LS	LAA 8×16×25.2RS
LBE 12 UU	4	36.5	12	22	32	284	327	575	813	0602-012-10	0602-012-10	KB 1232 PP	LBCR 12-2LS	LAA 12×22×32.2RS
LBE 16 UU	4	47.5	16	26	36	311	357	587	830	0602-016-10	0602-016-10	KB 1636 PP	LBCR 16-2LS	LAA 16×26×36.2RS
LBE 20 UU	5	85	20	32	45	617	734	1150	1680	0602-020-10	0602-020-10	KB 2045 PP	LBCR 20-2LS	LAA 20×32×45.2RS
LBE 25 UU	5	162	25	40	58	1070	1270	2020	2960	0602-025-10	0602-025-10	KB 2558 PP	LBCR 25-2LS	LAA 25×40×58.2RS
LBE 30 UU	6	305	30	47	68	1560	1650	3060	3910	0602-030-10	0602-030-10	KB 3068 PP	LBCR 30-2LS	LAA 30×47×68.2RS
LBE 40 UU	6	555	40	62	80	2710	2870	4890	6250	0602-040-10	0602-040-10	KB 4080 PP	LBCR 40-2LS	LAA 40×62×80.2RS
LBE 50 UU	6	940	50	75	100	3940	4180	7130	9120	0602-050-10	0602-050-10	KB 50100 PP	LBCR 50-2LS	LAA 50×75×100.2RS



DIMENSION TABLE

INTERCHANGE TABLE

IKO NUMBER ADJUSTABLE TYPE LBE..UU AJ	NUMBER OF BALL CIRCUIT	WEIGHT (g)	DIMENSIONS (mm)				BASIC DYNAMIC LOAD RATING (N)		BASIC STATIC LOAD RATING (N)		STAR	THOMSON	INA	SKF	FAG
			dr	D	L	h	USUAL	MAX.	USUAL	MAX.	0612..	0612..	KBS..PP	LBAS..2LS	LAG..2RS
LBE 5 UU AJ	3	8.4	5	12	22	1.5	90.6	73.6	213	213	0612-305-10	—	—	LBAS 5-2LS	—
LBE 8 UU AJ	3	16.7	8	16	25	1.5	121	98.6	255	255	0612-308-10	—	—	LBAS 8-2LS	LAG 8×16×25.2RS
LBE 12 UU AJ	4	36	12	22	32	1.5	284	327	575	813	0612-012-10	0612-012-10	KBS 1232 PP	—	LAG 12×22×32.2RS
LBE 16 UU AJ	4	47	16	26	36	1.5	311	357	587	830	0612-016-10	0612-016-10	KBS 1636 PP	—	LAG 16×26×36.2RS
LBE 20 UU AJ	5	83.5	20	32	45	2.0	617	734	1150	1680	0612-020-10	0612-020-10	KBS 2045 PP	—	LAG 20×32×45.2RS
LBE 25 UU AJ	5	160	25	40	58	2.0	1070	1270	2020	2960	0612-025-10	0612-025-10	KBS 2558 PP	—	LAG 25×40×58.2RS
LBE 30 UU AJ	6	305	30	47	68	2.0	1560	1650	3060	3910	0612-030-10	0612-030-10	KBS 3068 PP	—	LAG 30×47×68.2RS
LBE 40 UU AJ	6	555	40	62	80	2.0	2710	2870	4890	6250	0612-040-10	0612-040-10	KBS 4080 PP	—	LAG 40×62×80.2RS
LBE 50 UU AJ	6	930	50	75	100	2.0	3940	4180	7130	9120	0612-050-10	0612-050-10	KBS 50100 PP	—	LAG 50×75×100.2RS



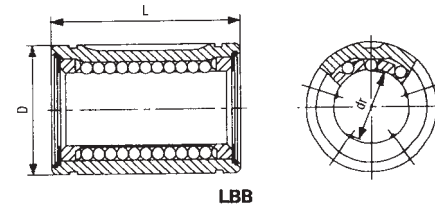
DIMENSION TABLE

INTERCHANGE TABLE

IKO NUMBER OPEN TYPE LBE..UU OP	NUMBER OF BALL CIRCUIT	WEIGHT (g)	DIMENSIONS (mm)					BASIC DYNAMIC LOAD RATING (N)		BASIC STATIC LOAD RATING (N)		STAR	THOMSON	INA	SKF	FAG
			dr	D	L	h1	θ	USUAL	MAX.	USUAL	MAX.	0632..	0632..	KBO..PP	LBCT..2LS	LAN..2RS
LBE 12 UU OP	3	29.5	12	22	32	7.5	78°	284	327	575	813	0632-012-00	0632-012-00	KBO 1232 PP	LBCT 12-2LS	LAN 12×22×32.2RS
LBE 16 UU OP	3	38	16	26	36	10	78°	311	357	587	830	0632-016-00	0632-016-00	KBO 1636 PP	LBCT 16-2LS	LAN 16×26×36.2RS
LBE 20 UU OP	4	72.5	20	32	45	10	60°	617	734	1150	1680	0632-020-00	0632-020-00	KBO 2045 PP	LBCT 20-2LS	LAN 20×32×45.2RS
LBE 25 UU OP	4	142	25	40	58	12.5	60°	1070	1270	2020	2960	0632-025-00	0632-025-00	KBO 2558 PP	LBCT 25-2LS	LAN 25×40×58.2RS
LBE 30 UU OP	5	265	30	47	68	12.5	50°	1560	1650	3060	3910	0632-030-00	0632-030-00	KBO 3068 PP	LBCT 30-2LS	LAN 30×47×68.2RS
LBE 40 UU OP	5	485	40	62	80	16.8	50°	2710	2870	4890	6250	0632-040-00	0632-040-00	KBO 4080 PP	LBCT 40-2LS	LAN 40×62×80.2RS
LBE 50 UU OP	5	815	50	75	100	21.0	50°	3940	4180	7130	9120	0632-050-00	0632-050-00	KBO 50100 PP	LBCT 50-2LS	LAN 50×75×100.2RS

LINEAR BUSHINGS

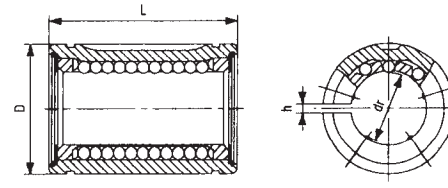
Inch Dimension



DIMENSION TABLE

INTERCHANGE TABLE

IKO NUMBER STANDARD TYPE LBB	NUMBER OF BALL CIRCUIT	WEIGHT (g)	DIMENSIONS						BASIC DYNAMIC LOAD RATING (N)		BASIC STATIC LOAD RATING (N)		THOMSON A	HEIM LBB
			dr		D		L		USUAL	MAX.	USUAL	MAX.		
			INCH	mm	INCH	mm	INCH	mm						
LBB 4	3	7.1	1/4	6.350	1/2	12.700	3/4	19.050	80.0	64.9	156	156	A-4812	LBB-250
LBB 6	4	10.3	3/8	9.525	5/8	15.875	7/8	22.225	117	134	227	320	A-61014	LBB-375
LBB 8	4	32	1/2	12.700	7/8	22.225	1 1/4	31.750	290	333	577	816	A-81420	LBB-500
LBB 10	4	65	5/8	15.875	1 1/8	28.575	1 1/2	38.100	424	488	766	1080	A-101824	LBB-625
LBB 12	5	79.5	3/4	19.050	1 1/4	31.750	1 5/8	41.275	608	724	1150	1680	A-122026	LBB-750
LBB 16	5	147	1	25.400	1 9/16	39.688	2 1/4	57.150	1070	1280	2020	2960	A-162536	LBB-1000
LBB 20	6	325	1 1/4	31.750	2	50.800	2 5/8	66.675	1920	2030	3570	4570	A-203242	LBB-1250
LBB 24	6	535	1 1/2	38.100	2 3/8	60.325	3	76.200	2460	2610	4330	5540	A-243848	LBB-1500
LBB 32	6	1040	2	50.800	3	76.200	4	101.600	3960	4190	7140	9130	A-324864	LBB-2000



LBB..AJ

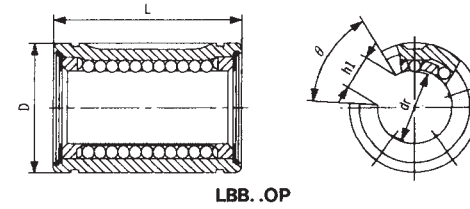
DIMENSION TABLE

INTERCHANGE TABLE

IKO NUMBER ADJUSTABLE TYPE LBB..AJ	NUMBER OF RACE CIRCUIT	WEIGHT (g)	dr		D		L		h Min.		BASIC DYNAMIC LOAD RATING (N)		BASIC STATIC LOAD RATING (N)		THOMSON	HEIM
			INCH	mm	INCH	mm	INCH	mm	INCH	mm	USUAL	MAX.	USUAL	MAX.	ADJ	ADJ
LBB 8 AJ	4	31.5	1/2	12.700	7/8	22.225	1 1/4	31.750	1/16	1.588	290	333	577	816	ADJ-81420	ADJ-500
LBB 10 AJ	4	64	5/8	15.875	1 1/8	28.575	1 1/2	38.100	3/32	2.381	424	488	766	1080	ADJ-101824	ADJ-625
LBB 12 AJ	5	78.5	3/4	19.050	1 1/4	31.750	1 5/8	41.275	3/32	2.381	608	724	1150	1680	ADJ-122026	ADJ-750
LBB 16 AJ	5	145	1	25.400	1 1/16	39.688	2 1/4	57.150	3/32	2.381	1070	1280	2020	2960	ADJ-162536	ADJ-1000
LBB 20 AJ	6	320	1 1/4	31.750	2	50.800	2 5/8	66.675	3/32	2.381	1920	2030	3570	4570	ADJ-203242	ADJ-1250
LBB 24 AJ	6	530	1 1/2	38.100	2 3/8	60.325	3	76.200	1/8	3.175	2460	2610	4330	5540	ADJ-243848	ADJ-1500
LBB 32 AJ	6	1030	2	50.800	3	76.200	4	101.600	1/8	3.175	3960	4190	7140	9130	ADJ-324864	ADJ-2000

LINEAR BUSHINGS

Inch Dimension

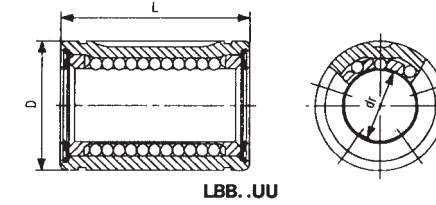


LBB..OP

DIMENSION TABLE

INTERCHANGE TABLE

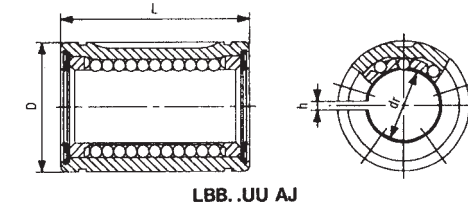
IKO NUMBER OPEN TYPE LBB..OP	NUMBER OF RACE CIRCUIT	WEIGHT (g)	DIMENSIONS									BASIC DYNAMIC LOAD RATING (N)		BASIC STATIC LOAD RATING (N)		THOMSON OPN	HEIM OPN
			dr		D		L		h1 Min.		θ	USUAL	MAX.	USUAL	MAX.		
			INCH	mm	INCH	mm	INCH	mm	INCH	mm							
LBB 8 OP	3	28	1/2	12.700	7/8	22.225	1 1/4	31.750	5/16	7.938	50°	290	333	577	816	OPN-81420	OPN-500
LBB 10 OP	3	54	5/8	15.875	1 1/8	28.575	1 1/2	38.100	3/8	9.525	60°	424	488	766	1080	OPN-101824	OPN-625
LBB 12 OP	4	68.5	3/4	19.050	1 1/4	31.750	1 5/8	41.275	7/16	11.112	60°	608	724	1150	1680	OPN-122026	OPN-750
LBB 16 OP	4	127	1	25.400	1 9/16	39.688	2 1/4	57.150	9/16	14.288	60°	1070	1280	2020	2960	OPN-162536	OPN-1000
LBB 20 OP	5	285	1 1/4	31.750	2	50.800	2 5/8	66.675	5/8	15.875	50°	1920	2030	3570	4570	OPN-203242	OPN-1250
LBB 24 OP	5	470	1 1/2	38.100	2 3/8	60.325	3	76.200	3/4	19.050	50°	2460	2610	4330	5540	OPN-243848	OPN-1500
LBB 32 OP	5	915	2	50.800	3	76.200	4	101.600	1	25.400	50°	3960	4190	7140	9130	OPN-324864	OPN-2000



DIMENSION TABLE

INTERCHANGE TABLE

IKO NUMBER STANDARD TYPE LBB..UU	NUMBER OF BALL CIRCUIT	WEIGHT (g)	DIMENSIONS						BASIC DYNAMIC LOAD RATING (N)		BASIC STATIC LOAD RATING (N)		HEIM LBB..PP
			dr		D		L		USUAL	MAX.	USUAL	MAX.	
			INCH	mm	INCH	mm	INCH	mm					
LBB 4 UU	3	7.1	1/4	6.350	1/2	12.700	3/4	19.050	80.0	64.9	156	156	LBB-250 PP
LBB 6 UU	4	10.4	3/8	9.525	5/8	15.875	7/8	22.225	117	134	227	320	LBB-375 PP
LBB 8 UU	4	32	1/2	12.700	7/8	22.225	1 1/4	31.750	290	333	557	816	LBB-500 PP
LBB 10 UU	4	65	5/8	15.875	1 1/8	28.575	1 1/2	38.100	424	488	766	1080	LBB-625 PP
LBB 12 UU	5	80	3/4	19.050	1 1/4	31.750	1 5/8	41.275	608	724	1150	1680	LBB-750 PP
LBB 16 UU	5	148	1	25.400	1 9/16	39.688	2 1/4	57.150	1070	1280	2020	2960	LBB-1000 PP
LBB 20 UU	6	325	1 1/4	31.750	2	50.800	2 5/8	66.675	1920	2030	3570	4570	LBB-1250 PP
LBB 24 UU	6	535	1 1/2	38.100	2 3/8	60.325	3	76.200	2460	2610	4330	5540	LBB-1500 PP
LBB 32 UU	6	1040	2	50.800	3	76.200	4	101.600	3960	4190	7140	9130	LBB-2000 PP



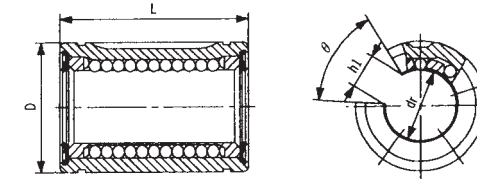
DIMENSION TABLE

INTERCHANGE TABLE

IKO NUMBER ADJUSTABLE TYPE LBB..UU AJ	NUMBER OF RACE CIRCUIT	WEIGHT (g)	dr		DIMENSIONS D		L		h Min.		BASIC DYNAMIC LOAD RATING (N)		BASIC STATIC LOAD RATING (N)		HEIM ADJ..PP
			INCH	mm	INCH	mm	INCH	mm	INCH	mm	USUAL	MAX.	USUAL	MAX.	
LBB 8 UU AJ	4	31.5	1/2	12.700	7/8	22.225	1 1/4	31.750	1/16	1.588	290	333	577	816	ADJ-500 PP
LBB 10 UU AJ	4	64	5/8	15.875	1 1/8	28.575	1 1/2	38.100	3/32	2.381	424	488	766	1080	ADJ-625 PP
LBB 12 UU AJ	5	79	3/4	19.050	1 1/4	31.750	1 5/8	41.275	3/32	2.381	608	724	1150	1680	ADJ-750 PP
LBB 16 UU AJ	5	145	1	25.400	1 1/16	39.688	2 1/4	57.150	3/32	2.381	1070	1280	2020	2960	ADJ-1000 PP
LBB 20 UU AJ	6	320	1 1/4	31.750	2	50.800	2 5/8	66.675	3/32	2.381	1920	2030	3570	4570	ADJ-1250 PP
LBB 24 UU AJ	6	530	1 1/2	38.100	2 3/8	60.325	3	76.200	1/8	3.175	2460	2610	4330	5540	ADJ-1500 PP
LBB 32 UU AJ	6	1030	2	50.800	3	76.200	4	101.600	1/8	3.175	3960	4190	7140	9130	ADJ-2000 PP

LINEAR BUSHINGS

Inch Dimension

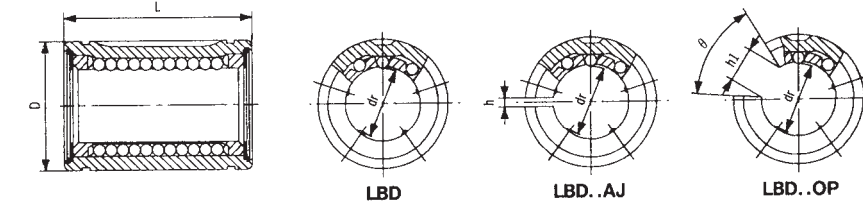


LBB..UU OP

DIMENSION TABLE

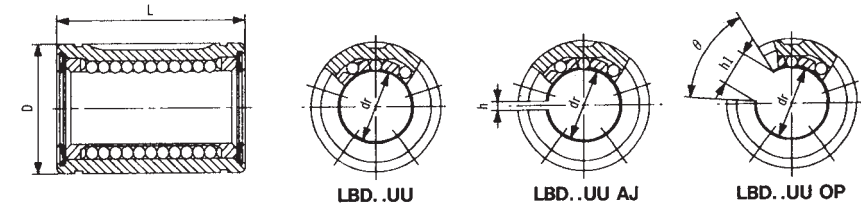
INTERCHANGE TABLE

IKO NUMBER OPEN TYPE LBB..UU OP	NUMBER OF RACE CIRCUIT	WEIGHT (g)	DIMENSIONS									BASIC DYNAMIC LOAD RATING (N)		BASIC STATIC LOAD RATING (N)		HEIM OPN..PP
			dr		D		L		h1 Min.		θ	USUAL	MAX.	USUAL	MAX.	
INCH	mm	INCH	mm	INCH	mm	INCH	mm	INCH	mm	USUAL						MAX.
LBB 8 UU OP	3	28	1/2	12.700	7/8	22.225	1 1/4	31.750	5/16	7.938	50°	290	333	577	816	OPN-500 PP
LBB 10 UU OP	3	54	5/8	15.875	1 1/8	28.575	1 1/2	38.100	3/8	9.525	60°	424	488	766	1080	OPN-625 PP
LBB 12 UU OP	4	69	3/4	19.050	1 1/4	31.750	1 5/8	41.275	7/16	11.112	60°	608	724	1150	1680	OPN-750 PP
LBB 16 UU OP	4	128	1	25.400	1 1/16	39.688	2 1/4	57.150	9/16	14.288	60°	1070	1280	2020	2960	OPN-1000 PP
LBB 20 UU OP	5	290	1 1/4	31.750	2	50.800	2 5/8	66.675	5/8	15.875	50°	1920	2030	3570	4570	OPN-1250 PP
LBB 24 UU OP	5	475	1 1/2	38.100	2 3/8	60.325	3	76.200	3/4	19.050	50°	2460	2610	4330	5540	OPN-1500 PP
LBB 32 UU OP	5	920	2	50.800	3	76.200	4	101.600	1	25.400	50°	3960	4190	7140	9130	OPN-2000 PP



DIMENSION TABLE

IKO NUMBER STANDARD TYPE LBD	NUMBER OF RACE CIRCUIT	WEIGHT (g)	IKO NUMBER ADJUSTABLE TYPE LBD..AJ	NUMBER OF RACE CIRCUIT	WEIGHT (g)	IKO NUMBER OPEN TYPE LBD..OP	NUMBER OF RACE CIRCUIT	WEIGHT (g)	DIMENSIONS (mm)						BASIC DYNAMIC LOAD RATING (N)		BASIC STATIC LOAD RATING (N)	
									dr	D	L	h	h1	θ	USUAL	MAX.	USUAL	MAX.
LBD 6	3	5.1	LBD 6 AJ	3	5.0	—	—	—	6	12	19	1.5	—	—	78.0	63.4	155	155
LBD 8S	3	8.3	LBD 8S AJ	3	8.1	—	—	—	8	15	17	1.5	—	—	74.7	60.7	128	128
LBD 8	3	11.8	LBD 8 AJ	3	11.5	—	—	—	8	15	24	1.5	—	—	121	98.6	255	255
LBD 10	4	25.5	LBD 10 AJ	4	25	LBD 10 OP	3	20.5	10	19	29	1.5	7	80°	197	226	405	573
LBD 13	4	41.5	LBD 13 AJ	4	40.5	LBD 13 OP	3	33	13	23	32	1.5	9	80°	292	336	578	818
LBD 16	4	58	LBD 16 AJ	4	57	LBD 16 OP	3	47	16	28	37	1.5	11	80°	426	489	766	1080
LBD 20	5	80	LBD 20 AJ	5	79	LBD 20 OP	4	69	20	32	42	2.0	11	60°	617	734	1150	1680
LBD 25	5	160	LBD 25 AJ	5	158	LBD 25 OP	4	142	25	40	59	2.0	12	50°	1070	1270	2020	2960
LBD 30	6	220	LBD 30 AJ	6	215	LBD 30 OP	5	196	30	45	64	2.0	15	50°	1460	1540	2780	3560
LBD 35	6	320	LBD 35 AJ	6	315	LBD 35 OP	5	280	35	52	70	2.0	17	50°	1610	1710	3080	3940
LBD 40	6	440	LBD 40 AJ	6	435	LBD 40 OP	5	390	40	60	80	2.0	20	50°	2710	2870	4890	6250
LBD 50	6	1390	LBD 50 AJ	6	1380	LBD 50 OP	5	1220	50	80	100	2.0	25	50°	3940	4180	7130	9120

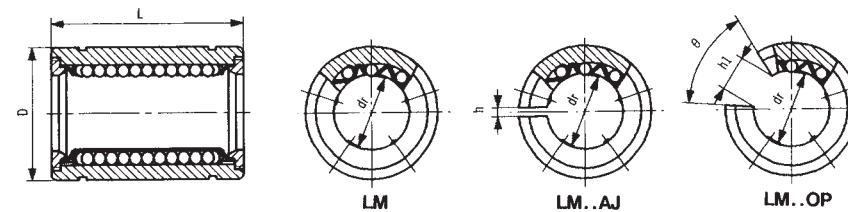


DIMENSION TABLE

IKO NUMBER STANDARD TYPE LBD..UU	NUMBER OF RACE CIRCUIT	WEIGHT (g)	IKO NUMBER ADJUSTABLE TYPE LBD..UU AJ	NUMBER OF RACE CIRCUIT	WEIGHT (g)	IKO NUMBER OPEN TYPE LBD..UU OP	NUMBER OF RACE CIRCUIT	WEIGHT (g)	DIMENSIONS (mm)						BASIC DYNAMIC LOAD RATING (N)		BASIC STATIC LOAD RATING (N)	
									dr	D	L	h	h1	θ	USUAL	MAX.	USUAL	MAX.
LBD 6 UU	3	5.2	LBD 6 UU AJ	3	5.1	—	—	—	6	12	19	1.5	—	—	78.0	63.4	155	155
LBD 8S UU	3	8.4	LBD 8S UU AJ	3	8.2	—	—	—	8	15	17	1.5	—	—	74.7	60.7	128	128
LBD 8 UU	3	11.8	LBD 8 UU AJ	3	11.6	—	—	—	8	15	24	1.5	—	—	121	98.6	255	255
LBD 10 UU	4	25.5	LBD 10 UU AJ	4	25.5	LBD 10 UU OP	3	20.5	10	19	29	1.5	7	80°	197	226	405	573
LBD 13 UU	4	41.5	LBD 13 UU AJ	4	40.5	LBD 13 UU OP	3	33.5	13	23	32	1.5	9	80°	292	336	578	818
LBD 16 UU	4	58	LBD 16 UU AJ	4	57	LBD 16 UU OP	3	47.5	16	28	37	1.5	11	80°	426	489	766	1080
LBD 20 UU	5	80.5	LBD 20 UU AJ	5	79.5	LBD 20 UU OP	4	69.5	20	32	42	2	11	60°	617	734	1150	1680
LBD 25 UU	5	161	LBD 25 UU AJ	5	159	LBD 25 UU OP	4	143	25	40	59	2	12	50°	1070	1270	2020	2960
LBD 30 UU	6	220	LBD 30 UU AJ	6	220	LBD 30 UU OP	5	197	30	45	64	2	15	50°	1460	1540	2780	3560
LBD 35 UU	6	320	LBD 35 UU AJ	6	320	LBD 35 UU OP	5	280	35	52	70	2	17	50°	1610	1710	3080	3940
LBD 40 UU	6	440	LBD 40 UU AJ	6	435	LBD 40 UU OP	5	390	40	60	80	2	20	50°	2710	2870	4890	6250
LBD 50 UU	6	1400	LBD 50 UU AJ	6	1380	LBD 50 UU OP	5	1220	50	80	100	2	25	50°	3940	4180	7130	9120

LINEAR BUSHINGS

Metric Dimension

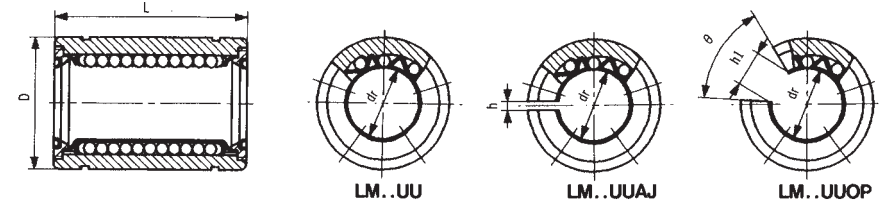


DIMENSION TABLE

IKO NUMBER STANDARD TYPE LM	NUMBER OF BALL CIRCUIT	WEIGHT (g)	IKO NUMBER ADJUSTABLE TYPE LM..AJ	NUMBER OF BALL CIRCUIT	WEIGHT (g)	IKO NUMBER OPEN TYPE LM..OP	NUMBER OF BALL CIRCUIT	WEIGHT (g)	DIMENSIONS (mm)							BASIC DYNAMIC LOAD RATING (N)		BASIC STATIC LOAD RATING (N)	
									dr	D	L	h	h1	θ	USUAL	MAX.	USUAL	MAX.	
LM 61219	3	8.5	—	—	—	—	—	—	6	12	19	—	—	—	80.7	92.7	167	237	
LM 61219 N	4	7.6	LM 61219 N AJ	4	7.5	—	—	—	6	12	19	1	—	—	80.7	92.7	167	237	
LM 81517	3	11	—	—	—	—	—	—	8	15	17	—	—	—	87.4	100	160	226	
LM 81517 N	4	10.4	LM 81517 N AJ	4	10	—	—	—	8	15	17	1	—	—	87.4	100	160	226	
LM 81524	4	17	—	—	—	—	—	—	8	15	24	—	—	—	121	139	255	361	
LM 81524 N	4	15	LM 81524 N AJ	4	14.7	—	—	—	8	15	24	1	—	—	121	139	255	361	
LM 101929	4	36	—	—	—	—	—	—	10	19	29	—	—	—	179	206	354	501	
LM 101929 N	4	29.5	LM 101929 N AJ	4	29	LM 101929 N OP	3	23	10	19	29	1	6.8	80°	179	206	354	501	
LM 122130	4	42	LM 122130 AJ	4	41	LM 122130 OP	3	32	12	21	30	1.5	8	80°	259	298	503	711	
LM 122130 N	4	31.5	LM 122130 N AJ	4	31	LM 122130 N OP	3	25	12	21	30	1.5	8	80°	259	298	503	711	
LM 132332	4	49	LM 132332 AJ	4	48	LM 132332 OP	3	37.5	13	23	32	1.5	9	80°	266	306	506	716	
LM 132332 N	4	43	LM 132332 N AJ	4	42	LM 132332 N OP	3	34	13	23	32	1.5	9	80°	266	306	506	716	
LM 162837	4	78	LM 162837 AJ	4	77	LM 162837 OP	3	60	16	28	37	1.5	11	80°	426	489	766	1080	
LM 162837 N	4	69.5	LM 162837 N AJ	4	68	LM 162837 N OP	3	52	16	28	37	1.5	11	80°	426	489	766	1080	
LM 203242	5	100	LM 203242 AJ	5	98	LM 203242 OP	4	85	20	32	42	1.5	11	60°	562	668	1010	1470	
LM 203242 N	5	98	LM 203242 N AJ	5	95	LM 203242 N OP	4	69	20	32	42	1.5	11	60°	562	668	1010	1470	
LM 254059	6	260	LM 254059 AJ	6	255	LM 254059 OP	5	220	25	40	59	2	12	50°	920	974	1780	2280	
LM 254059 N	6	220	LM 254059 N AJ	6	216	LM 254059 N OP	5	188	25	40	59	2	12	50°	920	974	1780	2280	
LM 304564	6	290	LM 304564 AJ	6	285	LM 304564 OP	5	245	30	45	64	2.5	15	50°	1350	1430	2500	3200	
LM 304564 N	6	250	LM 304564 N AJ	6	245	LM 304564 N OP	5	210	30	45	64	2.5	15	50°	1350	1430	2500	3200	
LM 355270	6	425	LM 355270 AJ	6	420	LM 355270 OP	5	355	35	52	70	2.5	17	50°	1610	1710	3080	3940	
LM 355270 N	6	390	LM 355270 N AJ	6	384	LM 355270 N OP	5	335	35	52	70	2.5	17	50°	1610	1710	3080	3940	
LM 406080	6	675	LM 406080 AJ	6	665	LM 406080 OP	5	575	40	60	80	3	20	50°	2030	2150	3620	4640	
LM 406080 N	6	585	LM 406080 N AJ	6	579	LM 406080 N OP	5	500	40	60	80	3	20	50°	2030	2150	3620	4640	
LM 5080100	6	1740	LM 5080100 AJ	6	1720	LM 5080100 OP	5	1480	50	80	100	3	25	50°	3940	4180	7130	9120	
LM 5080100 N	6	1580	LM 5080100 N AJ	6	1560	LM 5080100 N OP	5	1340	50	80	100	3	25	50°	3940	4180	7130	9120	
LM 6090110	6	2000	LM 6090110 AJ	6	1980	LM 6090110 OP	5	1700	60	90	110	3	30	50°	4760	5040	8150	10400	
LM 6090110 N	6	1860	LM 6090110 N AJ	6	1820	LM 6090110 N OP	5	1610	60	90	110	3	30	50°	4760	5040	8150	10400	
LM 80120140	6	4480	LM 80120140 AJ	6	4440	LM 80120140 OP	5	3810	80	120	140	3	40	50°	8710	9220	14500	18500	
LM 100150175	6	8600	LM 100150175 AJ	6	8540	LM 100150175 OP	5	7200	100	150	175	3	50	50°	14500	15300	22800	29200	
LM 120180200	8	15000	LM 120180200 AJ	8	14900	LM 120180200 OP	6	11600	120	180	200	4	85	80°	25800	25500	44300	49400	
LM 150210240	8	20300	LM 150210240 AJ	8	20200	LM 150210240 OP	6	15700	150	210	240	4	105	80°	35600	35100	61200	68200	

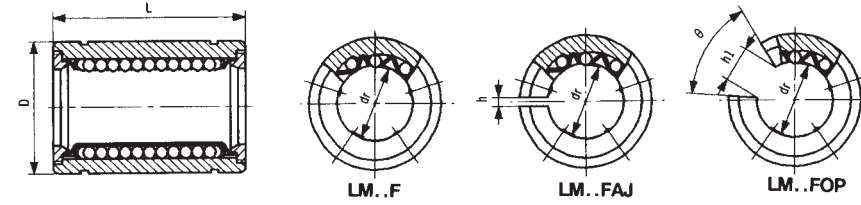
LINEAR BUSHINGS

Metric Dimension



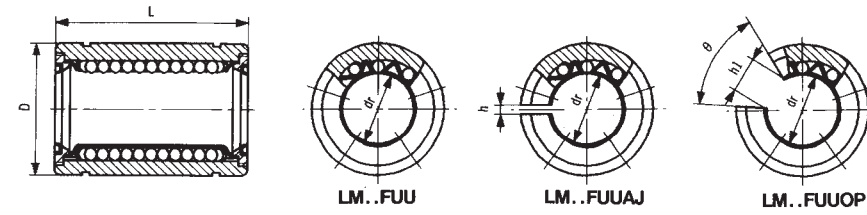
DIMENSION TABLE

IKO NUMBER STANDARD TYPE LM..UU	NUMBER OF BALL CIRCUIT	WEIGHT (g)	IKO NUMBER ADJUSTABLE TYPE LM..UU AJ	NUMBER OF BALL CIRCUIT	WEIGHT (g)	IKO NUMBER OPEN TYPE LM..UU OP	NUMBER OF BALL CIRCUIT	WEIGHT (g)	DIMENSIONS (mm)						BASIC DYNAMIC LOAD RATING (N)		BASIC STATIC LOAD RATING (N)	
									dr	D	L	h	h1	θ	USUAL	MAX.	USUAL	MAX.
LM 61219 UU	3	8.5	—	—	—	—	—	—	6	12	19	—	—	—	80.7	92.7	167	237
LM 61219 N UU	4	7.6	LM 61219 N UU AJ	4	7.5	—	—	—	6	12	19	1	—	—	80.7	92.7	167	237
LM 81517 UU	3	11	—	—	—	—	—	—	8	15	17	—	—	—	87.4	100	160	226
LM 81517 N UU	4	10.4	LM 81517 N UU AJ	4	10	—	—	—	8	15	17	1	—	—	87.4	100	160	226
LM 81524 UU	4	17	—	—	—	—	—	—	8	15	24	—	—	—	121	139	255	361
LM 81524 N UU	4	15	LM 81524 N UU AJ	4	14.7	—	—	—	8	15	24	1	—	—	121	139	255	361
LM 101929 UU	4	31	—	—	—	—	—	—	10	19	29	—	—	—	179	206	354	501
LM 101929 N UU	4	29.5	LM 101929 N UU AJ	4	29	LM 101929 N UU OP	3	23	10	19	29	1	6.8	80°	179	206	354	501
LM 122130 UU	4	41	LM 122130 UU AJ	4	40	LM 122130 UU OP	3	31	12	21	30	1.5	8	80°	259	298	503	711
LM 122130 N UU	4	31.5	LM 122130 N UU AJ	4	31	LM 122130 N UU OP	3	25	12	21	30	1.5	8	80°	259	298	503	711
LM 132332 UU	4	49	LM 132332 UU AJ	4	48	LM 132332 UU OP	3	37.5	13	23	32	1.5	9	80°	266	306	506	716
LM 132332 N UU	4	43	LM 132332 N UU AJ	4	42	LM 132332 N UU OP	3	34	13	23	32	1.5	9	80°	266	306	506	716
LM 162837 UU	4	78	LM 162837 UU AJ	4	77	LM 162837 UU OP	3	60	16	28	37	1.5	11	80°	426	489	766	1080
LM 162837 N UU	4	69.5	LM 162837 N UU AJ	4	68	LM 162837 N UU OP	3	52	16	28	37	1.5	11	80°	426	489	766	1080
LM 203242 UU	5	100	LM 203242 UU AJ	5	98	LM 203242 UU OP	4	85	20	32	42	1.5	11	60°	562	668	1010	1470
LM 203242 N UU	5	98	LM 203242 N UU AJ	5	95	LM 203242 N UU OP	4	69	20	32	42	1.5	11	60°	562	668	1010	1470
LM 254059 UU	6	260	LM 254059 UU AJ	6	255	LM 254059 UU OP	5	220	25	40	59	2	12	50°	920	974	1780	2280
LM 254059 N UU	6	220	LM 254059 N UU AJ	6	216	LM 254059 N UU OP	5	188	25	40	59	2	12	50°	920	974	1780	2280
LM 304564 UU	6	290	LM 304564 UU AJ	6	285	LM 304564 UU OP	5	245	30	45	64	2.5	15	50°	1350	1430	2500	3200
LM 304564 N UU	6	250	LM 304564 N UU AJ	6	245	LM 304564 N UU OP	5	210	30	45	64	2.5	15	50°	1350	1430	2500	3200
LM 355270 UU	6	410	LM 355270 UU AJ	6	405	LM 355270 UU OP	5	346	35	52	70	2.5	17	50°	1610	1710	3080	3940
LM 355270 N UU	6	390	LM 355270 N UU AJ	6	384	LM 355270 N UU OP	5	335	35	52	70	2.5	17	50°	1610	1710	3080	3940
LM 406080 UU	6	675	LM 406080 UU AJ	6	665	LM 406080 UU OP	5	575	40	60	80	3	20	50°	2030	2150	3620	4640
LM 406080 N UU	6	585	LM 406080 N UU AJ	6	579	LM 406080 N UU OP	5	500	40	60	80	3	20	50°	2030	2150	3620	4640
LM 5080100 UU	6	1740	LM 5080100 UU AJ	6	1720	LM 5080100 UU OP	5	1480	50	80	100	3	25	50°	3940	4180	7130	9120
LM 5080100 N UU	6	1580	LM 5080100 N UU AJ	6	1560	LM 5080100 N UU OP	5	1340	50	80	100	3	25	50°	3940	4180	7130	9120
LM 6090110 UU	6	2000	LM 6090110 UU AJ	6	1980	LM 6090110 UU OP	5	1700	60	90	110	3	30	50°	4760	5040	8150	10400
LM 6090110 N UU	6	1860	LM 6090110 N UU AJ	6	1820	LM 6090110 N UU OP	5	1610	60	90	110	3	30	50°	4760	5040	8150	10400
LM 80120140 UU	6	4480	LM 80120140 UU AJ	6	4440	LM 80120140 UU OP	5	3810	80	120	140	3	40	50°	8710	9220	14500	18500
LM 100150175 UU	6	8600	LM 100150175 UU AJ	6	8540	LM 100150175 UU OP	5	7200	100	150	175	3	50	50°	14500	15300	22800	29200
LM 120180200 UU	8	14700	LM 120180200 UU AJ	8	14600	LM 120180200 UU OP	6	11400	120	180	200	4	85	80°	25800	25500	44300	49400
LM 150210240 UU	8	19900	LM 150210240 UU AJ	8	19800	LM 150210240 UU OP	6	15400	150	210	240	4	105	80°	35600	35100	61200	68200



DIMENSION TABLE

IKO NUMBER STANDARD TYPE LM..F	NUMBER OF BALL CIRCUIT	WEIGHT (g)	IKO NUMBER ADJUSTABLE TYPE LM..FAJ	NUMBER OF BALL CIRCUIT	WEIGHT (g)	IKO NUMBER OPEN TYPE LM..FOP	NUMBER OF BALL CIRCUIT	WEIGHT (g)	DIMENSIONS (mm)						BASIC DYNAMIC LOAD RATING (N)		BASIC STATIC LOAD RATING (N)	
									dr	D	L	h	h1	θ	USUAL	MAX.	USUAL	MAX.
LM 61219 F	3	8.5	—	—	—	—	—	—	6	12	19	—	—	—	80.7	92.7	167	237
LM 61219 N F	4	7.6	LM 61219 N F AJ	4	7.5	—	—	—	6	12	19	1	—	—	80.7	92.7	167	237
LM 81517 F	3	11	—	—	—	—	—	—	8	15	17	—	—	—	87.4	100	160	226
LM 81517 N F	4	10.4	LM 81517 N F AJ	4	10	—	—	—	8	15	17	1	—	—	87.4	100	160	226
LM 81524 F	4	17	—	—	—	—	—	—	8	15	24	—	—	—	121	139	255	361
LM 81524 N F	4	15	LM 81524 N F AJ	4	14.7	—	—	—	8	15	24	1	—	—	121	139	255	361
LM 101929 F	4	36	—	—	—	—	—	—	10	19	29	—	—	—	179	206	354	501
LM 101929 N F	4	29.5	LM 101929 N F AJ	4	29	LM 101929 N F OP	3	23	10	19	29	1	8	80°	179	206	354	501
LM 122130 F	4	42	LM 122130 F AJ	4	41	LM 122130 F OP	3	32	12	21	30	1.5	8	80°	259	298	503	711
LM 122130 N F	4	31.5	LM 122130 N F AJ	4	31	LM 122130 N F OP	3	25	12	21	30	1.5	8	80°	259	298	503	711
LM 132332 F	4	49	LM 132332 F AJ	4	48	LM 132332 F OP	3	37.5	13	23	32	1.5	9	80°	266	306	506	716
LM 132332 N F	4	43	LM 132332 N F AJ	4	42	LM 132332 N F OP	3	34	13	23	32	1.5	9	80°	266	306	506	716
LM 162837 F	4	78	LM 162837 F AJ	4	77	LM 162837 F OP	3	60	16	28	37	1.5	11	80°	426	489	766	1080
LM 162837 N F	4	69.5	LM 162837 N F AJ	4	68	LM 162837 N F OP	3	52	16	28	37	1.5	11	80°	426	489	766	1080
LM 203242 F	5	100	LM 203242 F AJ	5	98	LM 203242 F OP	4	85	20	32	42	1.5	11	60°	562	668	1010	1470
LM 203242 N F	5	98	LM 203242 N F AJ	5	95	LM 203242 N F OP	4	69	20	32	42	1.5	11	60°	562	668	1010	1470
LM 254059 F	6	260	LM 254059 F AJ	6	255	LM 254059 F OP	5	220	25	40	59	2	12	50°	920	974	1780	2280
LM 254059 N F	6	220	LM 254059 N F AJ	6	216	LM 254059 N F OP	5	188	25	40	59	2	12	50°	920	974	1780	2280
LM 304564 F	6	290	LM 304564 F AJ	6	285	LM 304564 F OP	5	245	30	45	64	2.5	15	50°	1350	1430	2500	3200
LM 304564 N F	6	250	LM 304564 N F AJ	6	245	LM 304564 N F OP	5	210	30	45	64	2.5	15	50°	1350	1430	2500	3200
LM 355270 F	6	410	LM 355270 F AJ	6	405	LM 355270 F OP	5	346	35	52	70	2.5	17	50°	1610	1710	3080	3940
LM 355270 N F	6	390	LM 355270 N F AJ	6	384	LM 355270 N F OP	5	335	35	52	70	2.5	17	50°	1610	1710	3080	3940
LM 406080 F	6	654	LM 406080 F AJ	6	640	LM 406080 F OP	5	546	40	60	80	3	20	50°	2030	2150	3620	4640
LM 406080 N F	6	585	LM 406080 N F AJ	6	579	LM 406080 N F OP	5	500	40	60	80	3	20	50°	2030	2150	3620	4640
LM 5080100 F	6	1700	LM 5080100 F AJ	6	1680	LM 5080100 F OP	5	1420	50	80	100	3	25	50°	3940	4180	7130	9120
LM 5080100 N F	6	1580	LM 5080100 N F AJ	6	1560	LM 5080100 N F OP	5	1340	50	80	100	3	25	50°	3940	4180	7130	9120
LM 6090110 F	6	2000	LM 6090110 F AJ	6	1980	LM 6090110 F OP	5	1650	60	90	110	3	30	50°	4760	5040	8150	10400
LM 6090110 N F	6	1860	LM 6090110 N F AJ	6	1820	LM 6090110 N F OP	5	1610	60	90	110	3	30	50°	4760	5040	8150	10400

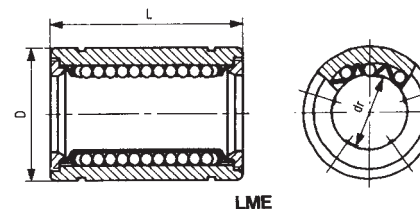


DIMENSION TABLE

IKO NUMBER STANDARD TYPE LM..F UU	NUMBER OF BALL CIRCUIT	WEIGHT (g)	IKO NUMBER ADJUSTABLE TYPE LM..F UU AJ	NUMBER OF BALL CIRCUIT	WEIGHT (g)	IKO NUMBER OPEN TYPE LM..F UU OP	NUMBER OF BALL CIRCUIT	WEIGHT (g)	DIMENSIONS (mm)						BASIC DYNAMIC LOAD RATING (N)		BASIC STATIC LOAD RATING (N)	
									dr	D	L	h	h1	θ	USUAL	MAX.	USUAL	MAX.
LM 61219 F UU	3	8.5	—	—	—	—	—	—	6	12	19	—	—	—	80.7	92.7	167	237
LM 61219 N F UU	4	7.6	LM 61219 N F UU AJ	4	7.5	—	—	—	6	12	19	1	—	—	80.7	92.7	167	237
LM 81517 F UU	3	11	—	—	—	—	—	—	8	15	17	—	—	—	87.4	100	160	226
LM 81517 N F UU	4	10.4	LM 81517 N F UU AJ	4	10	—	—	—	8	15	17	1	—	—	87.4	100	160	226
LM 81524 F UU	4	17	—	—	—	—	—	—	8	15	24	—	—	—	121	139	255	361
LM 81524 N F UU	4	15	LM 81524 N F UU AJ	4	14.7	—	—	—	8	15	24	1	—	—	121	139	255	361
LM 101929 F UU	4	31	—	—	—	—	—	—	10	19	29	—	—	—	179	206	354	501
LM 101929 N F UU	4	29.5	LM 101929 N F UU AJ	4	29	LM 101929 N F UU OP	3	23	10	19	29	1	8	80°	179	206	354	501
LM 122130 F UU	4	41	LM 122130 F UU AJ	4	40	LM 122130 F UU OP	3	32	12	21	30	1.5	8	80°	259	298	503	711
LM 122130 N F UU	4	31.5	LM 122130 N F UU AJ	4	31	LM 122130 N F UU OP	3	25	12	21	30	1.5	8	80°	259	298	503	711
LM 132332 F UU	4	49	LM 132332 F UU AJ	4	48	LM 132332 F UU OP	3	37.5	13	23	32	1.5	9	80°	266	306	506	716
LM 132332 N F UU	4	43	LM 132332 N F UU AJ	4	42	LM 132332 N F UU OP	3	34	13	23	32	1.5	9	80°	266	306	506	716
LM 162837 F UU	4	78	LM 162837 F UU AJ	4	77	LM 162837 F UU OP	3	60	16	28	37	1.5	11	80°	426	489	766	1080
LM 162837 N F UU	4	69.5	LM 162837 N F UU AJ	4	68	LM 162837 N F UU OP	3	52	16	28	37	1.5	11	80°	426	489	766	1080
LM 203242 F UU	5	100	LM 203242 F UU AJ	5	98	LM 203242 F UU OP	4	85	20	32	42	1.5	11	60°	562	668	1010	1470
LM 203242 N F UU	5	98	LM 203242 N F UU AJ	5	95	LM 203242 N F UU OP	4	69	20	32	42	1.5	11	60°	562	668	1010	1470
LM 254059 F UU	6	260	LM 254059 F UU AJ	6	255	LM 254059 F UU OP	5	220	25	40	59	2	12	50°	920	974	1780	2280
LM 254059 N F UU	6	220	LM 254059 N F UU AJ	6	216	LM 254059 N F UU OP	5	188	25	40	59	2	12	50°	920	974	1780	2280
LM 304564 F UU	6	290	LM 304564 F UU AJ	6	285	LM 304564 F UU OP	5	245	30	45	64	2.5	15	50°	1350	1430	2500	3200
LM 304564 N F UU	6	250	LM 304564 N F UU AJ	6	245	LM 304564 N F UU OP	5	210	30	45	64	2.5	15	50°	1350	1430	2500	3200
LM 355270 F UU	6	410	LM 355270 F UU AJ	6	405	LM 355270 F UU OP	5	346	35	52	70	2.5	17	50°	1610	1710	3080	3940
LM 355270 N F UU	6	390	LM 355270 N F UU AJ	6	384	LM 355270 N F UU OP	5	335	35	52	70	2.5	17	50°	1610	1710	3080	3940
LM 406080 F UU	6	636	LM 406080 F UU AJ	6	622	LM 406080 F UU OP	5	546	40	60	80	3	20	50°	2030	2150	3620	4640
LM 406080 N F UU	6	585	LM 406080 N F UU AJ	6	579	LM 406080 N F UU OP	5	500	40	60	80	3	20	50°	2030	2150	3620	4640
LM 5080100 F UU	6	1670	LM 5080100 F UU AJ	6	1650	LM 5080100 F UU OP	5	1410	50	80	100	3	25	50°	3940	4180	7130	9120
LM 5080100 NF UU	6	1580	LM 5080100 NF UU AJ	6	1560	LM 5080100 NF UU OP	5	1340	50	80	100	3	25	50°	3940	4180	7130	9120
LM 6090110 F UU	6	1930	LM 6090110 F UU AJ	6	1910	LM 6090110 F UU OP	5	1580	60	90	110	3	30	50°	4760	5040	8150	10400
LM 6090110 NF UU	6	1860	LM 6090110 NF UU AJ	6	1820	LM 6090110 NF UU OP	5	1610	60	90	110	3	30	50°	4760	5040	8150	10400

LINEAR BUSHINGS

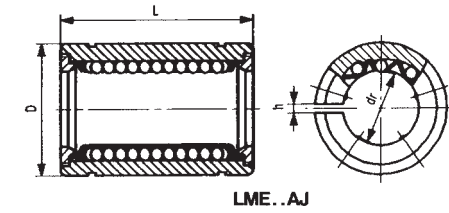
Metric Dimension



DIMENSION TABLE

INTERCHANGE TABLE

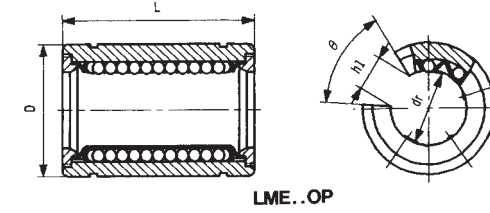
IKO NUMBER STANDARD TYPE LME	NUMBER OF BALL CIRCUIT	WEIGHT (g)	DIMENSIONS (mm)			BASIC DYNAMIC LOAD RATING (N)		BASIC STATIC LOAD RATING (N)		STAR	THOMSON	INA	SKF	FAG
			dr	D	L	USUAL	MAX.	USUAL	MAX.	0600..	0600..	KB	LBA(C)R	LAA
LME 51222 N	4	10	5	12	22	90.8	104	219	310	0600-305-00	—	—	LBAR 5	LAA 5×12×22
LME 81625	4	22.5	8	16	25	121	139	255	361	—	0600-308-00	—	—	—
LME 81625 N	4	20	8	16	25	121	139	255	361	0600-308-00	—	—	LBAR 8	LAA 8×16×25
LME 122232	4	45.5	12	22	32	259	298	503	711	0600-012-00	0600-012-00	—	—	—
LME 122232 N	4	41	12	22	32	259	298	503	711	—	—	KB 1232	LBCR 12	LAA 12×22×32
LME 162636	4	59	16	26	36	283	325	514	726	0600-016-00	0600-016-00	—	—	—
LME 162636 N	4	56.5	16	26	36	283	325	514	726	—	—	KB 1636	LBCR 16	LAA 16×26×36
LME 203245	5	105	20	32	45	562	668	1010	1470	0600-020-00	0600-020-00	—	—	—
LME 203245 N	5	92	20	32	45	562	668	1010	1470	—	—	KB 2045	LBCR 20	LAA 20×32×45
LME 254058	6	240	25	40	58	920	974	1780	2280	0600-025-00	0600-025-00	—	—	—
LME 254058 N	6	220	25	40	58	920	974	1780	2280	—	—	KB 2558	LBCR 25	LAA 25×40×58
LME 304768	6	360	30	47	68	1350	1430	2500	3200	0600-030-00	0600-030-00	—	—	—
LME 304768 N	6	325	30	47	68	1350	1430	2500	3200	—	—	KB 3068	LBCR 30	LAA 30×47×68
LME 406280	6	800	40	62	80	2030	2150	3620	4640	0600-040-00	0600-040-00	—	—	—
LME 406280 N	6	705	40	62	80	2030	2150	3620	4640	—	—	KB 4080	LBCR 40	LAA 40×62×80
LME 5075100	6	1260	50	75	100	3940	4180	7130	9120	0600-050-00	0600-050-00	—	—	—
LME 5075100 N	6	1130	50	75	100	3940	4180	7130	9120	—	—	KB 50100	LBCR 50	LAA 50×75×100
LME 6090125	6	2270	60	90	125	4760	5040	8150	10400	0600-060-00	0600-060-00	—	—	—
LME 6090125 N	6	1860	60	90	125	4760	5040	8150	10400	—	—	—	LBAR 60	—
LME 80120165	6	5140	80	120	165	8710	9220	14500	18500	0600-080-00	0600-080-00	—	—	—



DIMENSION TABLE

INTERCHANGE TABLE

IKO NUMBER ADJUSTABLE TYPE LME..AJ	NUMBER OF BALL CIRCUIT	WEIGHT (g)	DIMENSIONS (mm)				BASIC DYNAMIC LOAD RATING (N)		BASIC STATIC LOAD RATING (N)		STAR	THOMSON	INA	SKF	FAG
			dr	D	L	h	USUAL	MAX.	USUAL	MAX.	0610..	0610..	KBS	LBAS	LAG
LME 51222 N AJ	4	9.5	5	12	22	1	90.8	104	219	310	0610-305-00	—	—	LBAS 5	—
LME 81625 N AJ	4	19	8	16	25	1	121	139	255	361	0610-308-00	—	—	LBAS 8	LAG 8×16×25
LME 122232 AJ	4	44.5	12	22	32	1.5	259	298	503	711	0610-012-00	0610-012-00	—	—	—
LME 122232 N AJ	4	40	12	22	32	1.5	259	298	503	711	—	—	KBS 1232	—	LAG 12×22×32
LME 162636 AJ	4	58	16	26	36	1.5	283	325	514	726	0610-016-00	0610-016-00	—	—	—
LME 162636 N AJ	4	54.5	16	26	36	1.5	283	325	514	726	—	—	KBS 1636	—	LAG 16×26×36
LME 203245 AJ	5	100	20	32	45	2	562	668	1010	1470	0610-020-00	0610-020-00	—	—	—
LME 203245 N AJ	5	90	20	32	45	2	562	668	1010	1470	—	—	KBS 2045	—	LAG 20×32×45
LME 254058 AJ	6	235	25	40	58	2	920	974	1780	2280	0610-025-00	0610-025-00	—	—	—
LME 254058 N AJ	6	215	25	40	58	2	920	974	1780	2280	—	—	KBS 2558	—	LAG 25×40×58
LME 304768 AJ	6	355	30	47	68	2	1350	1430	2500	3200	0610-030-00	0610-030-00	—	—	—
LME 304768 N AJ	6	320	30	47	68	2	1350	1430	2500	3200	—	—	KBS 3068	—	LAG 30×47×68
LME 406280 AJ	6	790	40	62	80	3	2030	2150	3620	4640	0610-040-00	0610-040-00	—	—	—
LME 406280 N AJ	6	694	40	62	80	3	2030	2150	3620	4640	—	—	KBS 4080	—	LAG 40×62×80
LME 5075100 AJ	6	1250	50	75	100	3	3940	4180	7130	9120	0610-050-00	0610-050-00	—	—	—
LME 5075100 N AJ	6	1110	50	75	100	3	3940	4180	7130	9120	—	—	KBS 50100	—	LAG 50×75×100
LME 6090125 AJ	6	2240	60	90	125	3	4760	5040	8150	10400	0610-060-00	0610-060-00	—	—	—
LME 6090125 N AJ	6	1820	60	90	125	3	4760	5040	8150	10400	—	—	—	LBAS 60	—
LME 80120165 AJ	6	5100	80	120	165	3	8710	9220	14500	18500	0610-080-00	0610-080-00	—	—	—

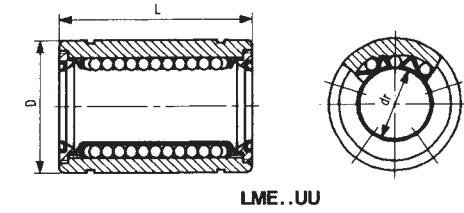


DIMENSION TABLE

IKO NUMBER OPEN TYPE LME..OP	NUMBER OF BALL CIRCUIT	WEIGHT (g)	DIMENSIONS (mm)					BASIC DYNAMIC LOAD RATING (N)		BASIC STATIC LOAD RATING (N)	
			dr	D	L	h1	θ	USUAL	MAX.	USUAL	MAX.
			LME 122232 OP	3	35	12	22	32	7.5	78°	259
LME 122232 N OP	3	32	12	22	32	7.5	78°	259	298	503	711
LME 162636 OP	3	45	16	26	36	10	78°	283	325	514	726
LME 162636 N OP	3	44	16	26	36	10	78°	283	325	514	726
LME 203245 OP	4	84	20	32	45	10	60°	562	668	1010	1470
LME 203245 N OP	4	75	20	32	45	10	60°	562	668	1010	1470
LME 254058 OP	5	200	25	40	58	12.5	60°	920	974	1780	2280
LME 254058 N OP	5	181	25	40	58	12.5	60°	920	974	1780	2280
LME 304768 OP	5	300	30	47	68	12.5	50°	1350	1430	2500	3200
LME 304768 N OP	5	272	30	47	68	12.5	50°	1350	1430	2500	3200
LME 406280 OP	5	670	40	62	80	16.8	50°	2030	2150	3620	4640
LME 406280 N OP	5	600	40	62	80	16.8	50°	2030	2150	3620	4640
LME 5075100 OP	5	1060	50	75	100	21	50°	3940	4180	7130	9120
LME 5075100 N OP	5	970	50	75	100	21	50°	3940	4180	7130	9120
LME 6090125 OP	5	1900	60	90	125	27.2	54°	4760	5040	8150	10400
LME 6090125 N OP	5	1610	60	90	125	27.2	54°	4760	5040	8150	10400
LME 80120165 OP	5	4350	80	120	165	36.3	54°	8710	9220	14500	18500

INTERCHANGE TABLE

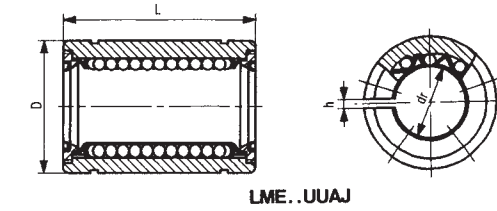
STAR	THOMSON	INA	SKF	FAG
0630..	0630..	KBO	LBC(A)T	LAN
0630-012-00	0630-012-00	—	—	—
—	—	KBO 1232	LBCT 12	LAN 12×22×32
0630-016-00	0630-016-00	—	—	—
—	—	KBO 1636	LBCT 16	LAN 16×26×36
0630-020-00	0630-020-00	—	—	—
—	—	KBO 2045	LBCT 20	LAN 20×32×45
0630-025-00	0630-025-00	—	—	—
—	—	KBO 2558	LBCT 25	LAN 25×40×58
0630-030-00	0630-030-00	—	—	—
—	—	KBO 3068	LBCT 30	LAN 30×47×68
0630-040-00	0630-040-00	—	—	—
—	—	KBO 4080	LBCT 40	LAN 40×62×80
0630-050-00	0630-050-00	—	—	—
—	—	KBO 50100	LBCT 50	LAN 50×75×100
0630-060-00	0630-060-00	—	—	—
—	—	—	LBAT 60	—
0630-080-00	0630-080-00	—	—	—



DIMENSION TABLE

INTERCHANGE TABLE

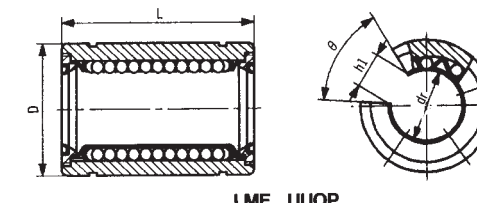
IKO NUMBER STANDARD TYPE LME..UU	NUMBER OF BALL CIRCUIT	WEIGHT (g)	DIMENSIONS (mm)			BASIC DYNAMIC LOAD RATING (N)		BASIC STATIC LOAD RATING (N)		STAR	THOMSON	INA	SKF	FAG
			dr	D	L	USUAL	MAX.	USUAL	MAX.	0602..	0602..	KB..PP	LBA(C)R..2LS	LAA..2RS
LME 51222 N UU	4	10	5	12	22	90.8	104	219	310	0602-305-10	—	—	LBAR 5-2LS	LAA 5×12×22.2RS
LME 81625 UU	4	22	8	16	25	121	139	255	361	—	0602-308-10	—	—	—
LME 81625 N UU	4	20	8	16	25	121	139	255	361	0602-308-10	—	—	LBAR 8-2LS	LAA 8×16×25.2RS
LME 122232 UU	4	45.5	12	22	32	259	298	503	711	0602-012-10	0602-012-10	—	—	—
LME 122232 N UU	4	41	12	22	32	259	298	503	711	—	—	KB 1232 PP	LBCR 12-2LS	LAA 12×22×32.2RS
LME 162636 UU	4	59	16	26	36	283	325	514	726	0602-016-10	0602-016-10	—	—	—
LME 162636 N UU	4	56.5	16	26	36	283	325	514	726	—	—	KB 1636 PP	LBCR 16-2LS	LAA 16×26×36.2RS
LME 203245 UU	5	105	20	32	45	562	668	1010	1470	0602-020-10	0602-020-10	—	—	—
LME 203245 N UU	5	92	20	32	45	562	668	1010	1470	—	—	KB 2045 PP	LBCR 20-2LS	LAA 20×32×45.2RS
LME 254058 UU	6	240	25	40	58	920	974	1780	2280	0602-025-10	0602-025-10	—	—	—
LME 254058 N UU	6	220	25	40	58	920	974	1780	2280	—	—	KB 2558 PP	LBCR 25-2LS	LAA 25×40×58.2RS
LME 304768 UU	6	360	30	47	68	1350	1430	2500	3200	0602-030-10	0602-030-10	—	—	—
LME 304768 N UU	6	325	30	47	68	1350	1430	2500	3200	—	—	KB 3068 PP	LBCR 30-2LS	LAA 30×47×68.2RS
LME 406280 UU	6	800	40	62	80	2030	2150	3620	4640	0602-040-10	0602-040-10	—	—	—
LME 406280 N UU	6	705	40	62	80	2030	2150	3620	4640	—	—	KB 4080 PP	LBCR 40-2LS	LAA 40×62×80.2RS
LME 5075100 UU	6	1260	50	75	100	3940	4180	7130	9120	0602-050-10	0602-050-10	—	—	—
LME 5075100 N UU	6	1130	50	75	100	3940	4180	7130	9120	—	—	KB 50100 PP	LBCR 50-2LS	LAA 50×75×100.2RS
LME 6090125 UU	6	2270	60	90	125	4760	5040	8150	10400	0602-060-10	0602-060-10	—	—	—
LME 6090125 N UU	6	2050	60	90	125	4760	5040	8150	10400	—	—	—	LBAR 60-2LS	—
LME 80120165 UU	6	5140	80	120	165	8710	9220	14500	18500	0602-080-10	0602-080-10	—	—	—



DIMENSION TABLE

INTERCHANGE TABLE

IKO NUMBER ADJUSTABLE TYPE LME..UU AJ	NUMBER OF BALL CIRCUIT	WEIGHT (g)	DIMENSIONS (mm)				BASIC DYNAMIC LOAD RATING (N)		BASIC STATIC LOAD RATING (N)		STAR	THOMSON	INA	SKF	FAG
			dr	D	L	h	USUAL	MAX.	USUAL	MAX.	0612..	0612..	KBS..PP	LBAS..2LS	LAG..2RS
LME 51222 N UU AJ	4	9.5	5	12	22	1	90.8	104	219	310	0612-305-10	—	—	LBAS 5-2LS	—
LME 81625 N UU AJ	4	19	8	16	25	1	121	139	255	361	0612-308-10	—	—	LBAS 8-2LS	LAG 8×16×25.2RS
LME 122232 UU AJ	4	44.5	12	22	32	1.5	259	298	503	711	0612-012-10	0612-012-10	—	—	—
LME 122232 N UU AJ	4	40	12	22	32	1.5	259	298	503	711	—	—	KBS 1232 PP	—	LAG 12×22×32.2RS
LME 162636 UU AJ	4	58	16	26	36	1.5	283	325	514	726	0612-016-10	0612-016-10	—	—	—
LME 162636 N UU AJ	4	54.5	16	26	36	1.5	283	325	514	726	—	—	KBS 1636 PP	—	LAG 16×26×36.2RS
LME 203245 UU AJ	5	100	20	32	45	2	562	668	1010	1470	0612-020-10	0612-020-10	—	—	—
LME 203245 N UU AJ	5	90	20	32	45	2	562	668	1010	1470	—	—	KBS 2045 PP	—	LAG 20×32×45.2RS
LME 254058 UU AJ	6	235	25	40	58	2	920	974	1780	2280	0612-025-10	0612-025-10	—	—	—
LME 254058 N UU AJ	6	215	25	40	58	2	920	974	1780	2280	—	—	KBS 2558 PP	—	LAG 25×40×58.2RS
LME 304768 UU AJ	6	355	30	47	68	2	1350	1430	2500	3200	0612-030-10	0612-030-10	—	—	—
LME 304768 N UU AJ	6	320	30	47	68	2	1350	1430	2500	3200	—	—	KBS 3068 PP	—	LAG 30×47×68.2RS
LME 406280 UU AJ	6	790	40	62	80	3	2030	2150	3620	4640	0612-040-10	0612-040-10	—	—	—
LME 406280 N UU AJ	6	694	40	62	80	3	2030	2150	3620	4640	—	—	KBS 4080 PP	—	LAG 40×62×80.2RS
LME 5075100 UU AJ	6	1250	50	75	100	3	3940	4180	7130	9120	0612-050-10	0612-050-10	—	—	—
LME 5075100 N UU AJ	6	1110	50	75	100	3	3940	4180	7130	9120	—	—	KBS 50100 PP	—	LAG 50×75×100.2RS
LME 6090125 UU AJ	6	2240	60	90	125	3	4760	5040	8150	10400	0612-060-10	0612-060-10	—	—	—
LME 6090125 N UU AJ	6	2000	60	90	125	3	4760	5040	8150	10400	—	—	—	LBAS 60-2LS	—
LME 80120165 UU AJ	6	5100	80	120	165	3	8710	9220	14500	18500	0612-080-10	0612-080-10	—	—	—

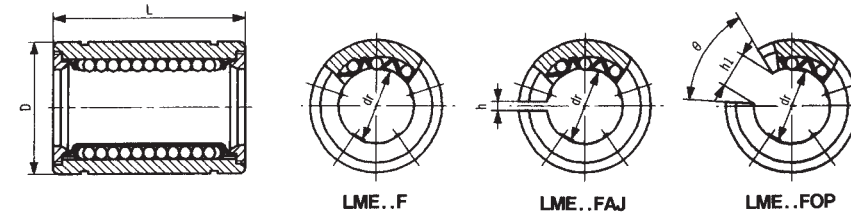


LME..UUOP

DIMENSION TABLE

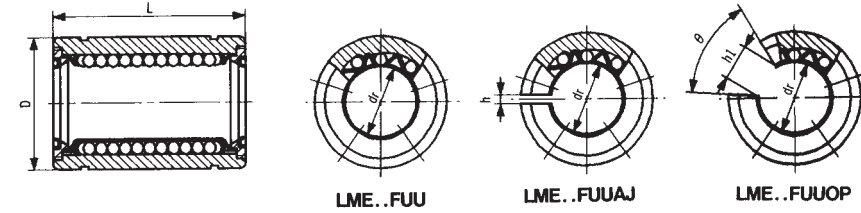
INTERCHANGE TABLE

IKO NUMBER OPEN TYPE LME..UU OP	NUMBER OF BALL CIRCUIT	WEIGHT (g)	DIMENSIONS (mm)					BASIC DYNAMIC LOAD RATING (N)		BASIC STATIC LOAD RATING (N)		STAR 0632..	THOMSON 0632..	INA KBO..PP	SKF LBC(A)T..2LS	FAG LAN..2RS
			dr	D	L	h1	θ	USUAL	MAX.	USUAL	MAX.					
LME 122232 UU OP	3	35	12	22	32	7.5	78°	259	298	503	711	0632-012-00	0632-012-00	—	—	—
LME 122232 N UU OP	3	32	12	22	32	7.5	78°	259	298	503	711	—	—	KBO 1232 PP	LBCT 12-2LS	LAN 12×22×32.2RS
LME 162636 UU OP	3	45	16	26	36	10	78°	283	325	514	726	0632-016-00	0632-016-00	—	—	—
LME 162636 N UU OP	3	44	16	26	36	10	78°	283	325	514	726	—	—	KBO 1636 PP	LBCT 16-2LS	LAN 16×26×36.2RS
LME 203245 UU OP	4	84	20	32	45	10	60°	562	668	1010	1470	0632-020-00	0632-020-00	—	—	—
LME 203245 N UU OP	4	75	20	32	45	10	60°	562	668	1010	1470	—	—	KBO 2045 PP	LBCT 20-2LS	LAN 20×32×45.2RS
LME 254058 UU OP	5	200	25	40	58	12.5	60°	920	974	1780	2280	0632-025-00	0632-025-00	—	—	—
LME 254058 N UU OP	5	181	25	40	58	12.5	60°	920	974	1780	2280	—	—	KBO 2558 PP	LBCT 25-2LS	LAN 25×40×58.2RS
LME 304768 UU OP	5	300	30	47	68	12.5	50°	1350	1430	2500	3200	0632-030-00	0632-030-00	—	—	—
LME 304768 N UU OP	5	272	30	47	68	12.5	50°	1350	1430	2500	3200	—	—	KBO 3068 PP	LBCT 30-2LS	LAN 30×47×68.2RS
LME 406280 UU OP	5	670	40	62	80	16.8	50°	2030	2150	3620	4640	0632-040-00	0632-040-00	—	—	—
LME 406280 N UU OP	5	600	40	62	80	16.8	50°	2030	2150	3620	4640	—	—	KBO 4080 PP	LBCT 40-2LS	LAN 40×62×80.2RS
LME 5075100 UU OP	5	1060	50	75	100	21	50°	3940	4180	7130	9120	0632-050-00	0632-050-00	—	—	—
LME 5075100 N UU OP	5	970	50	75	100	21	50°	3940	4180	7130	9120	—	—	KBO 50100 PP	LBCT 50-2LS	LAN 50×75×100.2RS
LME 6090125 UU OP	5	1900	60	90	125	27.2	54°	4760	5040	8150	10400	0632-060-00	0632-060-00	—	—	—
LME 6090125 N UU OP	5	1580	60	90	125	27.2	54°	4760	5040	8150	10400	—	—	—	LBAT 60-2LS	—
LME 80120165 UU OP	5	4350	80	120	165	36.3	54°	8710	9220	14500	18500	0632-080-00	0632-080-00	—	—	—



DIMENSION TABLE

IKO NUMBER STANDARD TYPE LME..F	NUMBER OF BALL CIRCUIT	WEIGHT (g)	IKO NUMBER ADJUSTABLE TYPE LME..F AJ	NUMBER OF BALL CIRCUIT	WEIGHT (g)	IKO NUMBER OPEN TYPE LME..F OP	NUMBER OF BALL CIRCUIT	WEIGHT (g)	DIMENSIONS (mm)						BASIC DYNAMIC LOAD RATING (N)		BASIC STATIC LOAD RATING (N)	
									dr	D	L	h	h1	θ	USUAL	MAX.	USUAL	MAX.
LME 51222 N F	4	10	LME 51222 N F AJ	4	9.5	—	—	—	5	12	22	1	—	—	90.8	104	219	310
LME 81625 F	4	22	—	—	—	—	—	—	8	16	25	—	—	—	121	139	255	361
LME 81625 N F	4	20	LME 81625 N F AJ	4	19	—	—	—	8	16	25	1	—	—	121	139	255	361
LME 122232 F	4	45.5	LME 122232 F AJ	4	44.5	LME 122232 F OP	3	35	12	22	32	1.5	7.5	78°	259	298	503	711
LME 122232 N F	4	41	LME 122232 N F AJ	4	40	LME 122232 N F OP	3	32	12	22	32	1.5	7.5	78°	259	298	503	711
LME 162636 F	4	59	LME 162636 F AJ	4	58	LME 162636 F OP	3	45	16	26	36	1.5	10	78°	283	325	514	726
LME 162636 N F	4	56.5	LME 162636 N F AJ	4	54.5	LME 162636 N F OP	3	44	16	26	36	1.5	10	78°	283	325	514	726
LME 203245 F	5	105	LME 203245 F AJ	5	100	LME 203245 F OP	4	84	20	32	45	2	10	60°	562	668	1010	1470
LME 203245 N F	5	92	LME 203245 N F AJ	5	90	LME 203245 N F OP	4	75	20	32	45	2	10	60°	562	668	1010	1470
LME 254058 F	6	240	LME 254058 F AJ	6	235	LME 254058 F OP	5	200	25	40	58	2	12.5	60°	920	974	1780	2280
LME 254058 N F	6	220	LME 254058 N F AJ	6	215	LME 254058 N F OP	5	181	25	40	58	2	12.5	60°	920	974	1780	2280
LME 304768 F	6	360	LME 304768 F AJ	6	355	LME 304768 F OP	5	300	30	47	68	2	12.5	50°	1350	1430	2500	3200
LME 304768 N F	6	325	LME 304768 N F AJ	6	320	LME 304768 N F OP	5	272	30	47	68	2	12.5	50°	1350	1430	2500	3200
LME 406280 F	6	770	LME 406280 F AJ	6	758	LME 406280 F OP	5	665	40	62	80	3	16.8	50°	2030	2150	3620	4640
LME 406280 N F	6	705	LME 406280 N F AJ	6	694	LME 406280 N F OP	5	600	40	62	80	3	16.8	50°	2030	2150	3620	4640
LME 5075100 F	6	1250	LME 5075100 F AJ	6	1230	LME 5075100 F OP	5	1080	50	75	100	3	21	50°	3940	4180	7130	9120
LME 5075100 N F	6	1130	LME 5075100 N F AJ	6	1110	LME 5075100 N F OP	5	970	50	75	100	3	21	50°	3940	4180	7130	9120
LME 6090125 F	6	2220	LME 6090125 F AJ	6	2170	LME 6090125 F OP	5	1900	60	90	125	3	27.2	54°	4760	5040	8150	10400
LME 6090125 N F	6	2050	LME 6090125 N F AJ	6	2000	LME 6090125 N F OP	5	1580	60	90	125	3	27.2	54°	4760	5040	8150	10400

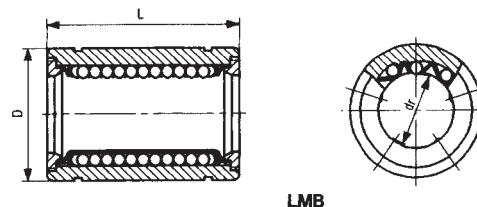


DIMENSION TABLE

IKO NUMBER STANDARD TYPE LME..F UU	NUMBER OF BALL CIRCUIT	WEIGHT (g)	IKO NUMBER ADJUSTABLE TYPE LME..F UU AJ	NUMBER OF BALL CIRCUIT	WEIGHT (g)	IKO NUMBER OPEN TYPE LME..F UU OP	NUMBER OF BALL CIRCUIT	WEIGHT (g)	DIMENSIONS (mm)						BASIC DYNAMIC LOAD RATING (N)		BASIC STATIC LOAD RATING (N)	
									dr	D	L	h	h1	θ	USUAL	MAX.	USUAL	MAX.
LME 51222 N F UU	4	10	LME 51222 N F UU AJ	4	9.5	—	—	—	5	12	22	1	—	—	90.8	104	219	310
LME 81625 F UU	4	22	—	—	—	—	—	—	8	16	25	—	—	—	121	139	255	361
LME 81625 N F UU	4	20	LME 81625 N F UU AJ	4	19	—	—	—	8	16	25	1	—	—	121	139	255	361
LME 122232 F UU	4	45.5	LME 122232 F UU AJ	4	44.5	LME 122232 F UU OP	3	35	12	22	32	1.5	7.5	78°	259	298	503	711
LME 122232 N F UU	4	41	LME 122232 N F UU AJ	4	40	LME 122232 N F UU OP	3	32	12	22	32	1.5	7.5	78°	259	298	503	711
LME 162636 F UU	4	59	LME 162636 F UU AJ	4	58	LME 162636 F UU OP	3	45	16	26	36	1.5	10	78°	283	325	514	726
LME 162636 N F UU	4	56.5	LME 162636 N F UU AJ	4	54.5	LME 162636 N F UU OP	3	44	16	26	36	1.5	10	78°	283	325	514	726
LME 203245 F UU	5	105	LME 203245 F UU AJ	5	100	LME 203245 F UU OP	4	84	20	32	45	2	10	60°	562	668	1010	1470
LME 203245 N F UU	5	92	LME 203245 N F UU AJ	5	90	LME 203245 N F UU OP	4	75	20	32	45	2	10	60°	562	668	1010	1470
LME 254058 F UU	6	240	LME 254058 F UU AJ	6	235	LME 254058 F UU OP	5	200	25	40	58	2	12.5	60°	920	974	1780	2280
LME 254058 N F UU	6	220	LME 254058 N F UU AJ	6	215	LME 254058 N F UU OP	5	181	25	40	58	2	12.5	60°	920	974	1780	2280
LME 304768 F UU	6	360	LME 304768 F UU AJ	6	355	LME 304768 F UU OP	5	300	30	47	68	2	12.5	50°	1350	1430	2500	3200
LME 304768 N F UU	6	325	LME 304768 N F UU AJ	6	320	LME 304768 N F UU OP	5	272	30	47	68	2	12.5	50°	1350	1430	2500	3200
LME 406280 F UU	6	752	LME 406280 F UU AJ	6	740	LME 406280 F UU OP	5	645	40	62	80	3	16.8	50°	2030	2150	3620	4640
LME 406280 N F UU	6	705	LME 406280 N F UU AJ	6	694	LME 406280 N F UU OP	5	600	40	62	80	3	16.8	50°	2030	2150	3620	4640
LME 5075100 F UU	6	1210	LME 5075100 F UU AJ	6	1190	LME 5075100 F UU OP	5	1050	50	75	100	3	21	50°	3940	4180	7130	9120
LME 5075100 NF UU	6	1130	LME 5075100 NF UU AJ	6	1110	LME 5075100 NF UU OP	5	970	50	75	100	3	21	50°	3940	4180	7130	9120
LME 6090125 F UU	6	2160	LME 6090125 F UU AJ	6	2110	LME 6090125 F UU OP	5	1850	60	90	125	3	27.2	54°	4760	5040	8150	10400
LME 6090125 NF UU	6	2050	LME 6090125 NF UU AJ	6	2000	LME 6090125 NF UU OP	5	1580	60	90	125	3	27.2	54°	4760	5040	8150	10400

LINEAR BUSHINGS

Inch Dimension



LMB

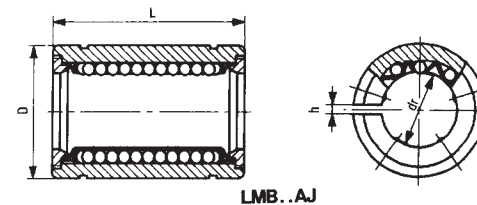
DIMENSION TABLE

INTERCHANGE TABLE

IKO NUMBER STANDARD TYPE LMB	NUMBER OF BALL CIRCUIT	WEIGHT (g)	DIMENSIONS						BASIC DYNAMIC LOAD RATING (N)		BASIC STATIC LOAD RATING (N)		THOMSON	HEIM	SCHNEEBERGER
			dr		D		L		USUAL	MAX.	USUAL	MAX.	A	LBB	
			inch	mm	inch	mm	inch	mm							
LMB 4812	3	9.1	¼	6.350	½	12.700	¾	19.05	82.6	67.0	168	168	A-4812	—	4812
LMB 4812 N	4	8.5	¼	6.350	½	12.700	¾	19.05	82.6	67.0	168	168	—	LBB-250	—
LMB 61014	4	27.5	⅜	9.525	⅝	15.875	⅞	22.225	94.8	109	174	246	A-61014	—	61014
LMB 61014 N	4	12.5	⅜	9.525	⅝	15.875	⅞	22.225	94.8	109	174	246	—	LBB-375	—
LMB 81420	4	44	½	12.700	⅞	22.225	1¼	31.750	264	303	505	714	A-81420	—	81420
LMB 81420 N	4	40	½	12.700	⅞	22.225	1¼	31.750	264	303	505	714	—	LBB-500	—
LMB 101824	4	85	⅝	15.875	1⅛	28.575	1½	38.100	424	488	766	1080	A-101824	—	101824
LMB 101824 N	4	76	⅝	15.875	1⅛	28.575	1½	38.100	424	488	766	1080	—	LBB-625	—
LMB 122026	5	98	¾	19.050	1¼	31.750	1⅝	41.275	554	659	1000	1470	A-122026	—	122026
LMB 122026 N	5	95	¾	19.050	1¼	31.750	1⅝	41.275	554	659	1000	1470	—	LBB-750	—
LMB 162536	6	220	1	25.400	1⅞	39.688	2¼	57.150	923	978	1780	2280	A-162536	—	162536
LMB 162536 N	6	200	1	25.400	1⅞	39.688	2¼	57.150	923	978	1780	2280	—	LBB-1000	—
LMB 203242	6	490	1¼	31.750	2	50.800	2⅝	66.675	1370	1450	2510	3210	A-203242	—	203242
LMB 203242 N	6	440	1¼	31.750	2	50.800	2⅝	66.675	1370	1450	2510	3210	—	LBB-1250	—
LMB 243848	6	730	1½	38.100	2⅞	60.325	3	76.200	2010	2130	3610	4620	A-243848	—	243848
LMB 243848 N	6	670	1½	38.100	2⅞	60.325	3	76.200	2010	2130	3610	4620	—	LBB-1500	—
LMB 324864	6	1530	2	50.800	3	76.200	4	101.600	3960	4190	7140	9130	A-324864	—	324864
LMB 324864 N	6	1140	2	50.800	3	76.200	4	101.600	3960	4190	7140	9130	—	LBB-2000	—
LMB 406080	6	2400	2½	63.500	3¾	95.250	5	127.000	5190	5490	9090	11600	A-406080	—	406080
LMB 487296	6	4400	3	76.200	4½	114.300	6	152.400	8620	9120	14500	18500	A-487296	—	487296
LMB 6496128	6	11000	4	101.600	6	152.400	8	203.200	17000	18000	28600	36500	A-6496128	—	6496128

LINEAR BUSHINGS

Inch Dimension



LMB..AJ

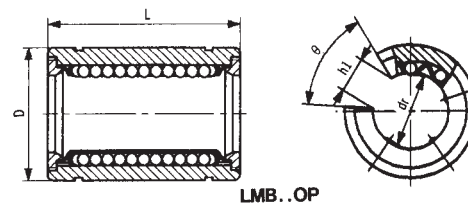
DIMENSION TABLE

INTERCHANGE TABLE

IKO NUMBER ADJUSTABLE TYPE LMB..AJ	NUMBER OF BALL CIRCUIT	WEIGHT (g)	DIMENSIONS							BASIC DYNAMIC LOAD RATING (N)		BASIC STATIC LOAD RATING (N)		THOMSON ADJ	HEIM ADJ
			dr		D		L		h	USUAL	MAX.	USUAL	MAX.		
			inch	mm	inch	mm	inch	mm	mm						
LMB 4812 N AJ	4	8	¼	6.350	½	12.700	¾	19.050	1	82.6	67.0	168	168	—	—
LMB 61014 N AJ	4	12	⅜	9.525	⅝	15.875	⅞	22.225	1	94.8	109	174	246	—	ADJ-375
LMB 81420 AJ	4	43	½	12.700	⅞	22.225	1¼	31.750	1.5	264	303	505	714	ADJ-81420	—
LMB 81420 N AJ	4	38	½	12.700	⅞	22.225	1¼	31.750	1.5	264	303	505	714	—	ADJ-500
LMB 101824 AJ	4	83	⅝	15.875	1⅞	28.575	1½	38.100	1.5	424	488	766	1080	ADJ-101824	—
LMB 101824 N AJ	4	74	⅝	15.875	1⅞	28.575	1½	38.100	1.5	424	488	766	1080	—	ADJ-625
LMB 122026 AJ	5	96	¾	19.050	1¼	31.750	1⅝	41.275	1.5	554	659	1000	1470	ADJ-122026	—
LMB 122026 N AJ	5	93	¾	19.050	1¼	31.750	1⅝	41.275	1.5	554	659	1000	1470	—	ADJ-750
LMB 162536 AJ	6	218	1	25.400	1⅞	39.688	2¼	57.150	1.5	923	978	1780	2280	ADJ-162536	—
LMB 162536 N AJ	6	198	1	25.400	1⅞	39.688	2¼	57.150	1.5	923	978	1780	2280	—	ADJ-1000
LMB 203242 AJ	6	485	1¼	31.750	2	50.800	2⅝	66.675	2.5	1370	1450	2510	3210	ADJ-203242	—
LMB 203242 N AJ	6	430	1¼	31.750	2	50.800	2⅝	66.675	2.5	1370	1450	2510	3210	—	ADJ-1250
LMB 243848 AJ	6	720	1½	38.100	2⅝	60.325	3	76.200	3	2010	2130	3610	4620	ADJ-243848	—
LMB 243848 N AJ	6	660	1½	38.100	2⅝	60.325	3	76.200	3	2010	2130	3610	4620	—	ADJ-1500
LMB 324864 AJ	6	1510	2	50.800	3	76.200	4	101.600	3	3960	4190	7140	9130	ADJ-324864	—
LMB 324864 N AJ	6	1120	2	50.800	3	76.200	4	101.600	3	3960	4190	7140	9130	—	ADJ-2000
LMB 406080 AJ	6	2380	2½	63.500	3¾	95.250	5	127.000	3	5190	5490	9090	11600	ADJ-406080	—
LMB 487296 AJ	6	4360	3	76.200	4½	114.300	6	152.400	3	8620	9120	14500	18500	ADJ-487296	—
LMB 6496128 AJ	6	10900	4	101.600	6	152.400	8	203.200	3	17000	18000	28600	36500	ADJ-6496128	—

LINEAR BUSHINGS

Inch Dimension



LMB..OP

DIMENSION TABLE

INTERCHANGE TABLE

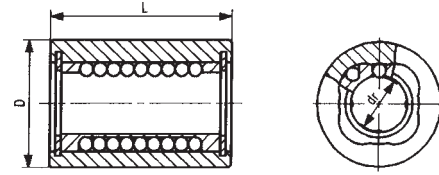
IKO NUMBER OPEN TYPE LMB..OP	NUMBER OF BALL CIRCUIT	WEIGHT (g)	DIMENSIONS								BASIC DYNAMIC LOAD RATING (N)		BASIC STATIC LOAD RATING (N)		THOMSON	HEIM	SCHNEEBERGER
			dr		D		L		h1	θ	USUAL	MAX.	USUAL	MAX.	OPN	OPN	OUV
			inch	mm	inch	mm	inch	mm	mm								
LMB 81420 OP	3	33.5	1/2	12.700	7/8	22.225	1 1/4	31.750	8.7	80°	264	303	505	714	OPN-81420	—	OUV 81420
LMB 81420 N OP	3	28	1/2	12.700	7/8	22.225	1 1/4	31.750	8.7	80°	264	303	505	714	—	OPN-500	—
LMB 101824 OP	3	64	5/8	15.875	1 1/8	28.575	1 1/2	38.100	9.5	80°	424	488	766	1080	OPN-101824	—	OUV 101824
LMB 101824 N OP	3	57	5/8	15.875	1 1/8	28.575	1 1/2	38.100	9.5	80°	424	488	766	1080	—	OPN-625	—
LMB 122026 OP	4	81	3/4	19.050	1 1/4	31.750	1 5/8	41.275	10.7	60°	554	659	1000	1470	OPN-122026	—	OUV 122026
LMB 122026 N OP	4	76	3/4	19.050	1 1/4	31.750	1 5/8	41.275	10.7	60°	554	659	1000	1470	—	OPN-750	—
LMB 162536 OP	5	190	1	25.400	1 9/16	39.688	2 1/4	57.150	11.8	50°	923	978	1780	2280	OPN-162536	—	OUV 162536
LMB 162536 N OP	5	170	1	25.400	1 9/16	39.688	2 1/4	57.150	11.8	50°	923	978	1780	2280	—	OPN-1000	—
LMB 203242 OP	5	415	1 1/4	31.750	2	50.800	2 5/8	66.675	14.7	50°	1370	1450	2510	3210	OPN-203242	—	OUV 203242
LMB 203242 N OP	5	370	1 1/4	31.750	2	50.800	2 5/8	66.675	14.7	50°	1370	1450	2510	3210	—	OPN-1250	—
LMB 243848 OP	5	620	1 1/2	38.100	2 3/8	60.325	3	76.200	17.7	50°	2010	2130	3610	4620	OPN-243848	—	OUV 243848
LMB 243848 N OP	5	570	1 1/2	38.100	2 3/8	60.325	3	76.200	17.7	50°	2010	2130	3610	4620	—	OPN-1500	—
LMB 324864 OP	5	1300	2	50.800	3	76.200	4	101.600	24.7	50°	3960	4190	7140	9130	OPN-324864	—	OUV 324864
LMB 324864 N OP	5	980	2	50.800	3	76.200	4	101.600	24.7	50°	3960	4190	7140	9130	—	OPN-2000	—
LMB 406080 OP	5	2040	2 1/2	63.500	3 3/4	95.250	5	127.000	29.5	50°	5190	5490	9090	11600	OPN-406080	—	OUV 406080
LMB 487296 OP	5	3740	3	76.200	4 1/2	114.300	6	152.400	39.6	50°	8620	9120	14500	18500	OPN-487296	—	OUV 487296
LMB 6496128 OP	5	9350	4	101.600	6	152.400	8	203.200	49.5	50°	17000	18000	28600	36500	OPN-6496128	—	OUV 6496128

IKO

LMS

**MINIATURE
LINEAR BUSHINGS**

Metric Dimension



LMS(L)

DIMENSION TABLE

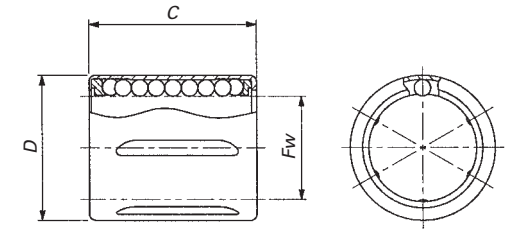
IKO NUMBER LMS	NUMBER OF BALL CIRCUIT	WEIGHT (g)	DIMENSIONS (mm)			BASIC DYNAMIC LOAD RATING (N)		BASIC STATIC LOAD RATING (N)	
			dr	D	L	USUAL	MAX.	USUAL	MAX.
LMS 3	4	1.8	3	7	10	18.4	21.2	39.4	55.8
LMS 3 F	4	1.8	3	7	10	18.4	21.2	39.4	55.8
LMS 3 UU	4	1.8	3	7	10	18.4	21.2	39.4	55.8
LMS 3 FUU	4	1.8	3	7	10	18.4	21.2	39.4	55.8
LMSL 3	4	3.0	3	7	19	30.0	34.4	78.9	112
LMSL 3 F	4	3.0	3	7	19	30.0	34.4	78.9	112
LMSL 3 UU	4	3.0	3	7	19	30.0	34.4	78.9	112
LMSL 3 FUU	4	3.0	3	7	19	30.0	34.4	78.9	112
LMS 4	4	2.8	4	8	12	23.5	27.0	48.6	68.7
LMS 4 F	4	2.8	4	8	12	23.5	27.0	48.6	68.7
LMS 4 UU	4	2.8	4	8	12	23.5	27.0	48.6	68.7
LMS 4 FUU	4	2.8	4	8	12	23.5	27.0	48.6	68.7
LMSL 4	4	4.3	4	8	23	38.1	43.8	97.2	137
LMSL 4 F	4	4.3	4	8	23	38.1	43.8	97.2	137
LMSL 4 UU	4	4.3	4	8	23	38.1	43.8	97.2	137
LMSL 4 FUU	4	4.3	4	8	23	38.1	43.8	97.2	137
LMS 5	4	3.8	5	10	15	51.3	59.0	108	152
LMS 5 F	4	3.8	5	10	15	51.3	59.0	108	152
LMS 5 UU	4	3.8	5	10	15	51.3	59.0	108	152
LMS 5 FUU	4	3.8	5	10	15	51.3	59.0	108	152
LMSL 5	4	6.7	5	10	29	83.4	95.8	215	304
LMSL 5F	4	6.7	5	10	29	83.4	95.8	215	304
LMSL 5 UU	4	6.7	5	10	29	83.4	95.8	215	304
LMSL 5 FUU	4	6.7	5	10	29	83.4	95.8	215	304

IKO

LK

**COMPACT
LINEAR BUSHING**

Metric Dimension



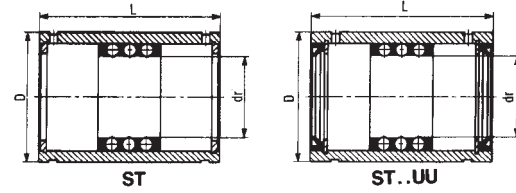
LK

DIMENSION TABLE

IKO NUMBER WITHOUT SEAL LK	WEIGHT (g)	IKO NUMBER WITH SEAL LK..UU	WEIGHT (g)	DIMENSIONS			BASIC DYNAMIC LOAD RATING (N)		BASIC STATIC LOAD RATING (N)		INA	
				Fw	D	C	USUAL	MAX.	USUAL	MAX.	WITHOUT SEAL KH	WITH SEAL KH..PP
LK 1630	24.4	LK 1630 UU	25.2	16	24	30	855	1020	690	1010	KH 1630	KH 1630 PP
LK 2030	29.5	LK 2030 UU	30.4	20	28	30	1060	1120	874	1120	KH 2030	KH 2030 PP
LK 2540	61.4	LK 2540 UU	62.8	25	35	40	1940	2050	1640	2100	KH 2540	KH 2540 PP
LK 3050	88.2	LK 3050 UU	89.8	30	40	50	2790	2750	2670	3070	KH 3050	KH 3050 PP

STROKE ROTARY BUSHINGS

Metric Dimension

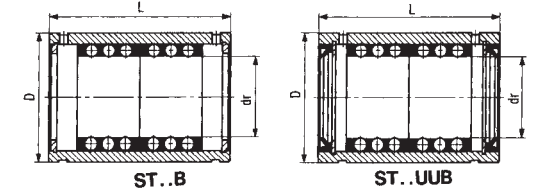


DIMENSION TABLE

IKO NUMBER WITHOUT SEAL ST	WEIGHT (g)	IKO NUMBER WITH SEAL ST..UU	WEIGHT (g)	DIMENSIONS (mm)			MAX. STROKE (mm)		BASIC DYNAMIC LOAD RATING (N)	BASIC STATIC LOAD RATING (N)
				dr	D	L	ST	ST..UU		
ST 4814	2.9	—	—	4	8	14	10	—	112	59.5
ST 51016	5.6	—	—	5	10	16	13	—	121	68.3
ST 61219	8.9	—	—	6	12	19	15	—	278	168
ST 81524	15.6	ST 81524 UU	16.5	8	15	24	24	14	315	211
ST 101930	28.8	ST 101930 UU	30.7	10	19	30	30	16	659	466
ST 122332	42	ST 122332 UU	45	12	23	32	32	17	1110	822
ST 162837	71	ST 162837 UU	74	16	28	37	40	24	1230	998
ST 203245	99	ST 203245 UU	107	20	32	45	54	32	1390	1250
ST 253745	117	ST 253745 UU	121	25	37	45	54	32	1450	1430
ST 304565	205	ST 304565 UU	215	30	45	65	82	65	3110	3160
ST 355270	329	ST 355270 UU	342	35	52	70	92	75	3290	3550
ST 406080	516	ST 406080 UU	529	40	60	80	108	91	4340	4810
ST 456580	563	ST 456580 UU	577	45	65	80	108	91	4550	5330
ST 5072100	827	ST 5072100 UU	836	50	72	100	138	120	5790	6970
ST 5580100	1160	ST 5580100 UU	1190	55	80	100	138	120	6030	7630
ST 6085100	1240	ST 6085100 UU	1270	60	85	100	138	120	6260	8300
ST 7095100	1400	ST 7095100 UU	1430	70	95	100	138	120	6510	9320
ST 80110100	2050	ST 80110100 UU	2080	80	110	100	132	114	8230	12200
ST 90120100	2250	ST 90120100 UU	2290	90	120	100	132	114	8550	13500
ST 100130100	2440	ST 100130100 UU	2540	100	130	100	132	114	8820	14800

STROKE ROTARY BUSHINGS

Metric Dimension



DIMENSION TABLE

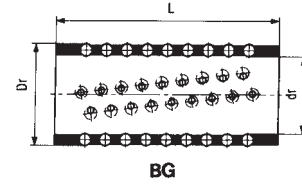
IKO NUMBER WITHOUT SEAL ST..B	WEIGHT (g)	IKO NUMBER WITH SEAL ST..UUB	WEIGHT (g)	DIMENSIONS (mm)			MAX. STROKE (mm)		BASIC DYNAMIC LOAD RATING (N)	BASIC STATIC LOAD RATING (N)
				dr	D	L	ST..B	ST..UUB		
ST 81524 B	16.8	—	—	8	15	24	8	—	512	422
ST 101930 B	31.2	—	—	10	19	30	8	—	1070	932
ST 122332 B	46	—	—	12	23	32	8	—	1800	1640
ST 162837 B	75	—	—	16	28	37	16	—	1990	2000
ST 203245 B	106	—	—	20	32	45	28	—	2250	2500
ST 253745 B	125	—	—	25	37	45	28	—	2360	2850
ST 304565 B	220	ST 304565 UUB	230	30	45	65	44	27	5060	6320
ST 355270 B	346	ST 355270 UUB	359	35	52	70	54	37	5340	7100
ST 406080 B	540	ST 406080 UUB	553	40	60	80	66	49	7050	9630
ST 456580 B	588	ST 456580 UUB	602	45	65	80	66	49	7390	10700
ST 5072100 B	862	ST 5072100 UUB	871	50	72	100	88	70	9400	13900
ST 5580100 B	1200	ST 5580100 UUB	1230	55	80	100	88	70	9800	15300
ST 6085100 B	1290	ST 6085100 UUB	1320	60	85	100	88	70	10200	16600
ST 7095100 B	1450	ST 7095100 UUB	1480	70	95	100	88	70	10600	18600
ST 80110100 B	2110	ST 80110100 UUB	2140	80	110	100	76	58	13400	24400
ST 90120100 B	2330	ST 90120100 UUB	2370	90	120	100	76	58	13900	27000
ST 100130100 B	2520	ST 100130100 UUB	2620	100	130	100	76	58	14300	29500

IKO

BG

STROKE ROTARY CAGES

Metric Dimension



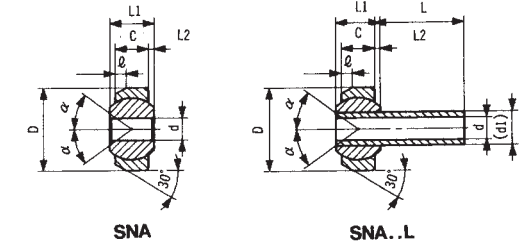
DIMENSION TABLE

IKO NUMBER	WEIGHT	DIMENSIONS			BASIC DYNAMIC LOAD RATING (N)	BASIC STATIC LOAD RATING (N)
		(mm)				
GB	(g)	dr	D	L		
BG 192555	33	19	25	55	2330	2600
BG 222860	40	22	28	60	2490	2950
BG 253165	48	25	31	65	2660	3390
BG 283670	76	28	36	70	3830	4660
BG 324075	93	32	40	75	4480	6030
BG 384880	162	38	48	80	6750	9390

IKO

SNA

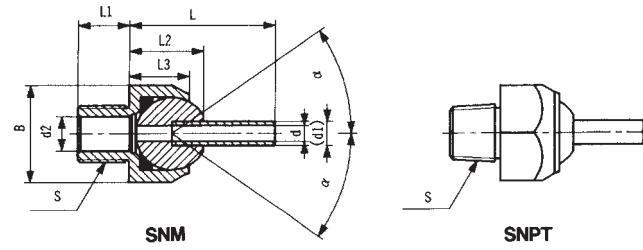
SUPER FLEXIBLE NOZZLES



DIMENSION TABLE

IKO NUMBER	DIMENSIONS								BALL DIAMETER	TILTING ANGLE
	(mm)									
SNA	d	D	L	L1	L2	C	ℓ	d1	inch	α
SNA 4	4	15	—	7	1	6	2	—	7/16	36°
SNA 6	6	15	—	7	1	6	2	—	7/16	24°
SNA 3-L	3	15	6 15 32	7	1	6	2	6	7/16	24°
SNA 4-L	4	15	6 16 40	7	1	6	2	6	7/16	24°

SUPER FLEXIBLE NOZZLES

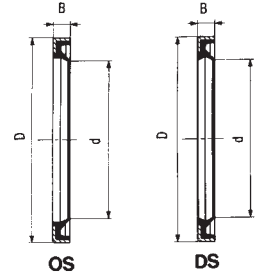


DIMENSION TABLE

IKO NUMBER SNM·SNPT	d	THREAD S	DIMENSIONS (mm)							BALL DIAMETER inch	TILTING ANGLE α
			L	L1	L2	L3	d1	d2	B		
SNM 10-L	4	M10×1.25	20 40 60	9	13	10.5	6	6	17	1/2	35°
SNPT 1/4-L	4	PT 1/4	20 40 60	9	13	10.5	6	6	17	1/2	35°
SNM 20-L	6	M20×1.5	30 50 70	13	18	15	8	10	24	3/4	35°
SNPT 3/8-L	6	PT 3/8	30 50 70	13	18	15	8	10	24	3/4	35°
SNM 24-L	8	M24×2.0	40 60 80	18	23	19	10	12	32	1	35°
SNPT 1/2-L	8	PT 1/2	40 60 80	18	23	19	10	12	32	1	35°

SEALS FOR NEEDLE ROLLER BEARINGS

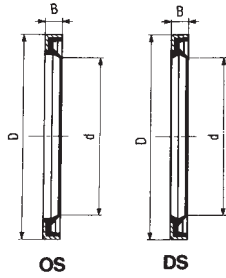
Metric Dimension



DIMENSION TABLE

INTERCHANGE TABLE

IKO NUMBER SINGLE-LIP OS	IKO NUMBER DOUBLE-LIP DS	DIMENSIONS (mm)			INA		SKF	FAG
		d	D	B	SINGLE-LIP G	DOUBLE-LIP SD	SINGLE-LIP G	SINGLE-LIP DH
OS 6102.5	—	6	10	2.5	—	—	—	—
OS 7112.5	—	7	11	2.5	—	—	—	—
OS 8123	—	8	12	3	G 8×12×3	—	G 8×12×3	DH 8×12×3
OS 8153	—	8	15	3	G 8×15×3	SD 8×15×3	G 8×15×3	DH 8×15×3
OS 9133	—	9	13	3	G 9×13×3	—	G 9×13×3	DH 9×13×3
OS 9163	—	9	16	3	G 9×16×3	SD 9×16×3	G 9×16×3	—
OS 10143	—	10	14	3	G 10×14×3	—	G 10×14×3	DH 10×14×3
OS 10173	—	10	17	3	G 10×17×3	SD 10×17×3	G 10×17×3	—
OS 12163	—	12	16	3	G 12×16×3	—	G 12×16×3	DH 12×16×3
OS 12183	—	12	18	3	G 12×18×3	SD 12×18×3	G 12×18×3	DH 12×18×3
OS 12193	—	12	19	3	G 12×19×3	SD 12×19×3	G 12×19×3	DH 12×19×3
OS 13193	—	13	19	3	G 13×19×3	SD 13×19×3	G 13×19×3	DH 13×19×3
OS 14203	DS 14203	14	20	3	G 14×20×3	SD 14×20×3	G 14×20×3	DH 14×20×3
OS 14223	DS 14223	14	22	3	G 14×22×3	SD 14×22×3	G 14×22×3	DH 14×22×3
OS 15213	DS 15213	15	21	3	G 15×21×3	SD 15×21×3	G 15×21×3	DH 15×21×3
OS 15223	DS 15223	15	22	3	—	—	—	—
OS 15235	DS 15235	15	23	5	—	—	—	—
OS 16223	DS 16223	16	22	3	G 16×22×3	SD 16×22×3	G 16×22×3	DH 16×22×3
OS 16243	DS 16243	16	24	3	G 16×24×3	SD 16×24×3	G 16×24×3	DH 16×24×3
OS 16285	DS 16285	16	28	5	—	—	—	—
OS 17233	DS 17233	17	23	3	G 17×23×3	SD 17×23×3	G 17×23×3	DH 17×23×3
OS 17243	DS 17243	17	24	3	—	—	—	—
OS 17253	DS 17253	17	25	3	G 17×25×3	SD 17×25×3	G 17×25×3	DH 17×25×3
OS 18243	DS 18243	18	24	3	G 18×24×3	SD 18×24×3	G 18×24×3	DH 18×24×3
OS 18253	DS 18253	18	25	3	—	—	—	—
OS 18264	DS 18264	18	26	4	G 18×26×4	SD 18×26×4	G 18×26×4	DH 18×26×4
OS 19274	DS 19274	19	27	4	G 19×27×4	SD 19×27×4	G 19×27×4	DH 19×27×4
OS 20264	DS 20264	20	26	4	G 20×26×4	SD 20×26×4	G 20×26×4	DH 20×26×4
OS 20274	DS 20274	20	27	4	—	—	—	—
OS 20284	DS 20284	20	28	4	G 20×28×4	SD 20×28×4	G 20×28×4	DH 20×28×4
OS 20304	DS 20304	20	30	4	—	—	—	—
OS 20324	DS 20324	20	32	4	—	—	—	—
OS 20326	DS 20326	20	32	6	—	—	—	—
OS 21294	DS 21294	21	29	4	G 21×29×4	SD 21×29×4	G 21×29×4	DH 21×29×4
OS 22284	DS 22284	22	28	4	G 22×28×4	SD 22×28×4	G 22×28×4	DH 22×28×4
OS 22294	DS 22294	22	29	4	—	—	—	—
OS 22304	DS 22304	22	30	4	G 22×30×4	SD 22×30×4	G 22×30×4	DH 22×30×4
OS 24314	DS 24314	24	31	4	—	—	—	—
OS 24324	DS 24324	24	32	4	G 24×32×4	SD 24×32×4	G 24×32×4	DH 24×32×4
OS 25324	DS 25324	25	32	4	G 25×32×4	SD 25×32×4	G 25×32×4	DH 25×32×4



DIMENSION TABLE

INTERCHANGE TABLE

IKO NUMBER SINGLE-LIP OS	IKO NUMBER DOUBLE-LIP DS	DIMENSIONS (mm)			INA		SKF	FAG
		d	D	B	SINGLE-LIP	DOUBLE-LIP	SINGLE-LIP	SINGLE-LIP
					G	SD	G	DH
OS 25334	DS 25334	25	33	4	G 25×33×4	SD 25×33×4	G 25×33×4	DH 25×33×4
OS 25356	DS 25356	25	35	6	—	—	—	—
OS 25376	DS 25376	25	37	6	—	—	—	—
OS 26344	DS 26344	26	34	4	G 26×34×4	SD 26×34×4	G 26×34×4	DH 26×34×4
OS 28354	DS 28354	28	35	4	G 28×35×4	SD 28×35×4	G 28×35×4	DH 28×35×4
OS 28374	DS 28374	28	37	4	G 28×37×4	SD 28×37×4	G 28×37×4	DH 28×37×4
OS 28396	DS 28396	28	39	6	—	—	—	—
OS 28406	DS 28406	28	40	6	—	—	—	—
OS 29384	DS 29384	29	38	4	G 29×38×4	SD 29×38×4	G 29×38×4	DH 29×38×4
OS 30374	DS 30374	30	37	4	G 30×37×4	SD 30×37×4	G 30×37×4	DH 30×37×4
OS 30404	DS 30404	30	40	4	G 30×40×4	SD 30×40×4	G 30×40×4	DH 30×40×4
OS 30426	DS 30426	30	42	6	—	—	—	—
OS 32424	DS 32424	32	42	4	G 32×42×4	SD 32×42×4	G 32×42×4	DH 32×42×4
OS 32456	DS 32456	32	45	6	—	—	—	—
OS 35424	DS 35424	35	42	4	G 35×42×4	SD 35×42×4	G 35×42×4	DH 35×42×4
OS 35454	DS 35454	35	45	4	G 35×45×4	SD 35×45×4	G 35×45×4	DH 35×45×4
OS 35476	DS 35476	35	47	6	—	—	—	—
OS 37474	DS 37474	37	47	4	G 37×47×4	SD 37×47×4	G 37×47×4	DH 37×47×4
OS 38484	DS 38484	38	48	4	G 38×48×4	SD 38×48×4	G 38×48×4	DH 38×48×4
OS 38506	DS 38506	38	50	6	—	—	—	—
OS 40474	DS 40474	40	47	4	G 40×47×4	SD 40×47×4	G 40×47×4	DH 40×47×4
OS 40504	DS 40504	40	50	4	G 40×50×4	SD 40×50×4	G 40×50×4	DH 40×50×4
OS 40526	DS 40526	40	52	6	—	—	—	—
OS 40556	DS 40556	40	55	6	—	—	—	—
OS 42557	DS 42557	42	55	7	—	—	—	—
OS 45524	DS 45524	45	52	4	G 45×52×4	SD 45×52×4	G 45×52×4	DH 45×52×4
OS 45554	DS 45554	45	55	4	G 45×55×4	SD 45×55×4	G 45×55×4	DH 45×55×4
OS 45627	DS 45627	45	62	7	—	—	—	—
OS 48627	DS 48627	48	62	7	—	—	—	—
OS 50584	DS 50584	50	58	4	G 50×58×4	SD 50×58×4	G 50×58×4	DH 50×58×4
OS 50624	DS 50624	50	62	4	—	—	—	—
OS 50657	DS 50657	50	65	7	—	—	—	—
OS 52687	DS 52687	52	68	7	—	—	—	—
OS 55674	DS 55674	55	67	4	—	—	—	—
OS 55687	DS 55687	55	68	7	—	—	—	—
OS 55727	—	55	72	7	—	—	—	—
OS 58727	DS 58727	58	72	7	—	—	—	—
OS 60724	DS 60724	60	72	4	—	—	—	—
OS 60787	DS 60787	60	78	7	—	—	—	—
OS 62744	DS 62744	62	74	4	—	—	—	—

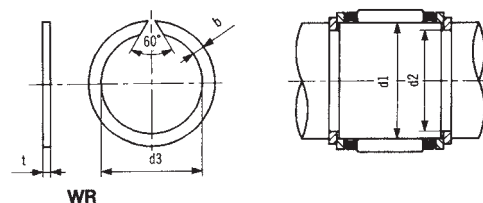
DIMENSION TABLE

INTERCHANGE TABLE

IKO NUMBER SINGLE-LIP OS	IKO NUMBER DOUBLE-LIP DS	DIMENSIONS (mm)			INA		SKF	FAG
		d	D	B	SINGLE-LIP	DOUBLE-LIP	SINGLE-LIP	SINGLE-LIP
					G	SD	G	DH
OS 62747	DS 62747	62	74	7	—	—	—	—
OS 63807	DS 63807	63	80	7	—	—	—	—
OS 65774	DS 65774	65	77	4	—	—	—	—
OS 65857	DS 65857	65	85	7	—	—	—	—
OS 68857	DS 68857	68	85	7	—	—	—	—
OS 70824	DS 70824	70	82	4	—	—	—	—
OS 70907	DS 70907	70	90	7	—	—	—	—
OS 72907	DS 72907	72	90	7	—	—	—	—

CIRCLIPS FOR NEEDLE ROLLER BEARINGS

Metric Dimension



DIMENSION TABLE

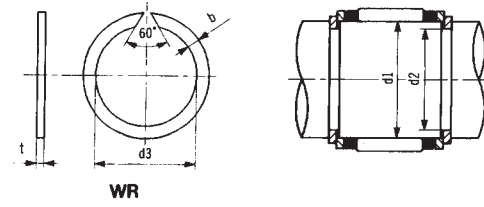
INTERCHANGE TABLE

IKO NUMBER WR	SHAFT d1	MAX. d3	DIMENSIONS (mm)		GROOVE d2	GROOVE TOLE.	INA	FAG
			b	t			WR	WR
WR 4	4	3.7	0.8	0.5	3.8	0 -0.09	WR 4	WR 4
WR 5	5	4.7	1	0.5	4.8		WR 5	WR 5
WR 6	6	5.6	1.1	0.7	5.7		WR 6	WR 6
WR 7	7	6.5	1.2	0.7	6.7		WR 7	WR 7
WR 8	8	7.4	1.3	1	7.6		WR 8	WR 8
WR 9	9	8.4	1.3	1	8.6		WR 9	WR 9
WR 10	10	9.4	1.3	1	9.6		WR 10	WR 10
WR 11	11	10.2	1.3	1	10.5		WR 11	WR 11
WR 12	12	11.2	1.3	1	11.5		WR 12	WR 12
WR 13	13	12.1	1.3	1	12.5	—	WR 13	
WR 14	14	13.1	1.5	1.2	13.5	0 -0.1	WR 14	WR 14
WR 15	15	14	1.75	1.2	14.4		WR 15	WR 15
WR 16	16	15	1.75	1.2	15.4		WR 16	WR 16
WR 17	17	16	1.75	1.2	16.4		WR 17	WR 17
WR 18	18	17	1.75	1.2	17.4		WR 18	WR 18
WR 19	19	17.9	1.75	1.2	18.4		WR 19	WR 19
WR 20	20	18.7	1.75	1.2	19.2	WR 20	WR 20	
WR 21	21	19.7	1.75	1.2	20.2	WR 21	WR 21	
WR 22	22	20.7	1.75	1.2	21.2	WR 22	WR 22	
WR 23	23	21.6	1.75	1.2	22.2	—	—	
WR 24	24	22.5	1.75	1.2	23	0 -0.15	WR 24	WR 24
WR 25	25	23.5	1.75	1.2	24		WR 25	WR 25
WR 26	26	24.5	1.75	1.2	25		WR 26	WR 26
WR 28	28	26.5	2.3	1.5	27		WR 28	WR 28
WR 29	29	27.5	2.3	1.5	28		WR 29	WR 29
WR 30	30	28.5	2.3	1.5	29		WR 30	WR 30
WR 32	32	30.2	2.3	1.5	30.8		WR 32	WR 32
WR 35	35	33.2	2.3	1.5	33.8		WR 35	WR 35
WR 36	36	34.2	2.3	1.5	34.8		—	—
WR 37	37	35.2	2.3	1.5	35.8		WR 37	WR 37
WR 38	38	36.2	2.3	1.5	36.8		WR 38	WR 38
WR 40	40	37.8	2.3	1.5	38.5		WR 40	WR 40
WR 42	42	39.8	2.3	1.5	40.5	WR 42	WR 42	
WR 43	43	40.8	2.3	1.5	41.5	WR 43	WR 43	
WR 45	45	42.8	2.3	1.5	43.5	WR 45	WR 45	
WR 47	47	44.8	2.3	1.5	45.5	WR 47	WR 47	
WR 50	50	47.8	2.3	1.5	48.5	0 -0.2	WR 50	WR 50
WR 52	52	49.8	2.3	1.5	50.5		WR 52	WR 52
WR 55	55	52.6	2.3	1.5	53.5		WR 55	WR 55
WR 60	60	57.6	2.3	1.5	58.5		WR 60	WR 60

DIMENSION TABLE

INTERCHANGE TABLE

IKO NUMBER WR	SHAFT d1	MAX. d3	DIMENSIONS (mm)		GROOVE d2	GROOVE TOLE.	INA	FAG
			b	t			WR	WR
WR 63	63	60.6	2.3	1.5	61.5	0 -0.2	WR 63	WR 63
WR 65	65	62.6	2.3	1.5	63.5		WR 65	WR 65
WR 68	68	65.4	2.8	2	66.2		WR 68	WR 68
WR 70	70	67.4	2.8	2	68.2		WR 70	WR 70
WR 75	75	72.4	2.8	2	73.2		WR 75	WR 75
WR 80	80	77.4	2.8	2	78.2		WR 80	WR 80
WR 82	82	79.3	3.4	2.5	80.2		—	—
WR 85	85	82	3.4	2.5	83		WR 85	WR 85
WR 90	90	87	3.4	2.5	88		WR 90	WR 90
WR 95	95	92	3.4	2.5	93		WR 95	WR 95
WR 100	100	97	3.4	2.5	98	0 -0.25	WR 100	WR 100
WR 105	105	101.7	3.4	2.5	102.7		WR 105	WR 105
WR 110	110	106.7	3.4	2.5	107.7		WR 110	WR 110
WR 115	115	111.7	3.4	2.5	112.7		WR 115	WR 115
WR 120	120	116.7	3.4	2.5	117.7		WR 120	WR 120
WR 125	125	121.7	3.4	2.5	122.7		WR 125	WR 125
WR 130	130	126.7	3.4	2.5	127.7		WR 130	WR 130
WR 135	135	131.6	4	2.5	132.4		WR 135	WR 135
WR 140	140	136.6	4	2.5	137.4		WR 140	WR 140
WR 145	145	141.6	4	2.5	142.4		WR 145	WR 145
WR 150	150	146.6	4	2.5	147.4	0 -0.3	WR 150	WR 150
WR 155	155	151.6	4	2.5	152.4		WR 155	WR 155
WR 160	160	156.6	4	2.5	157.4		WR 160	WR 160
WR 165	165	161.6	4	2.5	162.4		WR 165	WR 165
WR 170	170	166.6	4	2.5	167.4		WR 170	WR 170
WR 175	175	171.6	4	2.5	172.4		WR 175	WR 175
WR 180	180	175.6	5	3	177		WR 180	WR 180
WR 185	185	180.6	5	3	182		WR 185	WR 185
WR 190	190	185.6	5	3	187		WR 190	WR 190
WR 195	195	190.6	5	3	192		WR 195	WR 195
WR 200	200	195.6	5	3	197	0 -0.3	WR 200	WR 200
WR 210	210	205.6	5	3	207		WR 210	WR 210
WR 220	220	215.6	5	3	217		WR 220	WR 220
WR 230	230	225.4	5	3	227		WR 230	—
WR 240	240	235.4	5	3	237		WR 240	WR 240
WR 260	260	253	7.5	4	255		WR 260	WR 260
WR 265	265	258	7.5	4	260		WR 265	WR 265
WR 270	270	263	7.5	4	265		WR 270	—
WR 280	280	273	7.5	4	275		WR 280	WR 280
WR 285	285	278	7.5	4	280		WR 285	WR 285



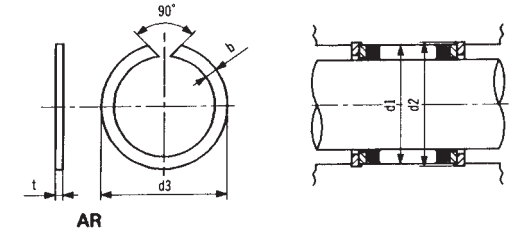
DIMENSION TABLE

IKO NUMBER WR	SHAFT d1	MAX. d3	DIMENSIONS (mm)		GROOVE d2	GROOVE TOLE.	INA	FAG
			b	t			WR	WR
WR 300	300	293	7.5	4	295	0 -0.3	WR 300	WR 300
WR 305	305	298	7.5	4	300		WR 305	WR 305
WR 320	320	313	7.5	4	315		WR 320	WR 320
WR 330	330	323	7.5	4	325	0 -0.36	WR 330	WR 330
WR 340	340	333	7.5	4	335		WR 340	WR 340
WR 350	350	343	7.5	4	345		WR 350	WR 350
WR 360	360	353	7.5	4	355		WR 360	WR 360
WR 370	370	363	7.5	4	365		WR 370	WR 370
WR 390	390	383	7.5	4	385		WR 390	WR 390

INTERCHANGE TABLE

CIRCLIPS FOR NEEDLE ROLLER BEARINGS

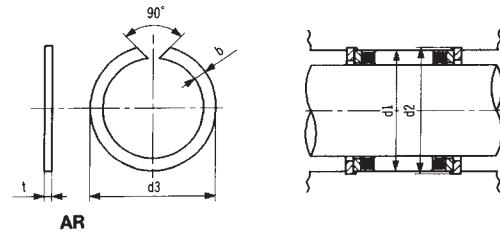
Metric Dimension



DIMENSION TABLE

IKO NUMBER AR	HOUSING d1	MIN. d3	DIMENSIONS (mm)		GROOVE d2	GROOVE TOLE.	INA	FAG
			b	t			BR	BR
AR 7	7	7.5	1	0.8	7.3	+0.1 0	BR 7	BR 7
AR 8	8	8.5	1	0.8	8.3		BR 8	BR 8
AR 9	9	9.5	1.1	0.8	9.3		BR 9	BR 9
AR 10	10	10.6	1.2	0.8	10.4		BR 10	BR 10
AR 11	11	11.6	1.3	1	11.4		BR 11	BR 11
AR 12	12	12.7	1.3	1	12.4		BR 12	BR 12
AR 13	13	13.8	1.3	1	13.5		BR 13	BR 13
AR 14	14	14.8	1.3	1	14.5		BR 14	BR 14
AR 15	15	15.8	1.3	1	15.5		BR 15	BR 15
AR 16	16	16.8	1.6	1.2	16.5		BR 16	BR 16
AR 17	17	17.8	1.6	1.2	17.5		BR 17	BR 17
AR 18	18	18.9	1.75	1.2	18.5		BR 18	BR 18
AR 19	19	19.9	1.75	1.2	19.6		BR 19	BR 19
AR 20	20	21	1.75	1.2	20.6		BR 20	BR 20
AR 21	21	22	1.75	1.2	21.6	BR 21	BR 21	
AR 22	22	23	1.75	1.2	22.6	BR 22	BR 22	
AR 23	23	24	1.75	1.2	23.6	BR 23	BR 23	
AR 24	24	25.2	1.75	1.2	24.8	BR 24	BR 24	
AR 25	25	26.2	1.75	1.2	25.8	BR 25	BR 25	
AR 26	26	27.2	1.75	1.2	26.8	BR 26	BR 26	
AR 27	27	28.2	1.75	1.2	27.8	BR 27	BR 27	
AR 28	28	29.2	1.75	1.2	28.8	BR 28	BR 28	
AR 29	29	30.2	1.75	1.2	29.8	BR 29	BR 29	
AR 30	30	31.4	2.3	1.5	31	+0.15 0	BR 30	BR 30
AR 31	31	32.4	2.3	1.5	32		BR 31	BR 31
AR 32	32	33.4	2.3	1.5	33		BR 32	BR 32
AR 33	33	34.4	2.3	1.5	34		BR 33	BR 33
AR 34	34	35.4	2.3	1.5	35		BR 34	BR 34
AR 35	35	36.4	2.3	1.5	36		BR 35	BR 35
AR 37	37	38.8	2.3	1.5	38.2		BR 37	BR 37
AR 38	38	39.8	2.3	1.5	39.2		BR 38	BR 38
AR 39	39	40.8	2.3	1.5	40.2		BR 39	BR 39
AR 40	40	41.8	2.3	1.5	41.2		BR 40	BR 40
AR 42	42	43.8	2.3	1.5	43.2		BR 42	BR 42
AR 43	43	44.8	2.3	1.5	44.2	BR 43	BR 43	
AR 44	44	45.8	2.3	1.5	45.2	BR 44	BR 44	
AR 45	45	46.8	2.3	1.5	46.2	BR 45	BR 45	
AR 47	47	48.8	2.3	1.5	48.2	BR 47	BR 47	
AR 48	48	49.8	2.3	1.5	49.2	BR 48	BR 48	
AR 50	50	51.8	2.3	1.5	51.2	+0.2 0	BR 50	BR 50

INTERCHANGE TABLE



DIMENSION TABLE

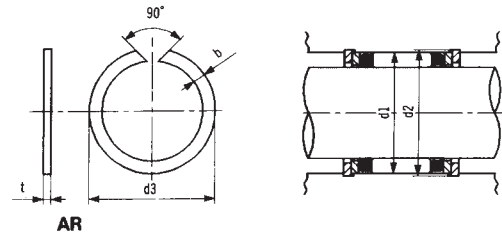
INTERCHANGE TABLE

IKO NUMBER	DIMENSIONS (mm)						INA	FAG
	AR	HOUSING d1	MIN. d3	b	t	GROOVE d2 TOLE.		
AR 52	52	54.3	2.3	1.5	53.5	+0.2 0	BR 52	BR 52
AR 53	53	55.3	2.3	1.5	54.5		BR 53	BR 53
AR 55	55	57.3	2.3	1.5	56.5		BR 55	BR 55
AR 57	57	59.3	2.3	1.5	58.5		BR 57	BR 57
AR 58	58	60.3	2.3	1.5	59.5		BR 58	BR 58
AR 60	60	62.3	2.3	1.5	61.5		BR 60	BR 60
AR 62	62	64.3	2.3	1.5	63.5		BR 62	BR 62
AR 65	65	67.3	2.3	1.5	66.5		BR 65	BR 65
AR 68	68	70.3	2.3	1.5	69.5		BR 68	BR 68
AR 70	70	72.3	2.3	1.5	71.5		BR 70	BR 70
AR 72	72	74.6	2.8	2	73.8		BR 72	BR 72
AR 73	73	75.6	2.8	2	74.8		BR 73	BR 73
AR 75	75	77.6	2.8	2	76.8		—	—
AR 76	76	78.6	2.8	2	77.8		BR 76	BR 76
AR 78	78	80.6	2.8	2	79.8		BR 78	BR 78
AR 80	80	82.6	2.8	2	81.8		—	BR 80
AR 81	81	83.6	2.8	2	82.8		BR 81	BR 81
AR 82	82	84.6	2.8	2	83.8		BR 82	BR 82
AR 83	83	85.6	2.8	2	84.8	BR 83	BR 83	
AR 85	85	87.6	2.8	2	86.8	—	BR 85	
AR 86	86	88.6	2.8	2	87.8	BR 86	BR 86	
AR 88	88	91	3.4	2.5	90	BR 88	BR 88	
AR 90	90	93	3.4	2.5	92	—	BR 90	
AR 92	92	95	3.4	2.5	94	BR 92	BR 92	
AR 93	93	96	3.4	2.5	95	BR 93	BR 93	
AR 95	95	98	3.4	2.5	97	BR 95	BR 95	
AR 97	97	100	3.4	2.5	99	BR 97	BR 97	
AR 98	98	101	3.4	2.5	100	BR 98	BR 98	
AR 100	100	103	3.4	2.5	102	BR 100	BR 100	
AR 102	102	105.3	3.4	2.5	104.3	BR 102	BR 102	
AR 103	103	106.3	3.4	2.5	105.3	BR 103	BR 103	
AR 105	105	108.3	3.4	2.5	107.3	BR 105	BR 105	
AR 107	107	110.3	3.4	2.5	109.3	BR 107	BR 107	
AR 108	108	111.3	3.4	2.5	110.3	BR 108	BR 108	
AR 110	110	113.3	3.4	2.5	112.3	BR 110	BR 110	
AR 112	112	115.3	3.4	2.5	114.3	BR 112	BR 112	
AR 113	113	116.3	3.4	2.5	115.3	BR 113	BR 113	
AR 115	115	118.3	3.4	2.5	117.3	BR 115	BR 115	
AR 117	117	120.3	3.4	2.5	119.3	BR 117	BR 117	
AR 118	118	121.3	3.4	2.5	120.3	BR 118	BR 118	

DIMENSION TABLE

INTERCHANGE TABLE

IKO NUMBER	DIMENSIONS (mm)						INA	FAG
	AR	HOUSING d1	MIN. d3	b	t	GROOVE d2 TOLE.		
AR 120	120	123.3	3.4	2.5	122.3	+0.25 0	BR 120	BR 120
AR 123	123	126.3	3.4	2.5	125.3		BR 123	BR 123
AR 125	125	128.3	3.4	2.5	127.3		BR 125	BR 125
AR 127	127	130.3	3.4	2.5	129.3		BR 127	BR 127
AR 130	130	133.3	3.4	2.5	132.3		BR 130	BR 130
AR 133	133	136.3	3.4	2.5	135.3		BR 133	BR 133
AR 135	135	138.3	3.4	2.5	137.3		BR 135	BR 135
AR 137	137	140.3	4	2.5	139.3		BR 137	BR 137
AR 140	140	143.6	4	2.5	142.6		BR 140	BR 140
AR 143	143	146.6	4	2.5	145.6		BR 143	BR 143
AR 145	145	148.6	4	2.5	147.6		—	—
AR 150	150	153.6	4	2.5	152.6		BR 150	BR 150
AR 153	153	156.6	4	2.5	155.6		BR 153	BR 153
AR 160	160	163.6	4	2.5	162.6		BR 160	BR 160
AR 163	163	166.6	4	2.5	165.6		BR 163	BR 163
AR 165	165	168.6	4	2.5	167.6		BR 165	BR 165
AR 170	170	173.6	4	2.5	172.6		BR 170	BR 170
AR 173	173	176.6	4	2.5	175.6		BR 173	BR 173
AR 175	175	178.6	4	2.5	177.6	BR 175	BR 175	
AR 180	180	183.6	4	2.5	182.6	BR 180	BR 180	
AR 183	183	186.6	4	2.5	185.6	BR 183	BR 183	
AR 190	190	193.6	5	3	192.6	BR 190	BR 190	
AR 195	195	199.5	5	3	198	BR 195	BR 195	
AR 200	200	204.5	5	3	203	BR 200	BR 200	
AR 205	205	209.5	5	3	208	BR 205	BR 205	
AR 210	210	214.5	5	3	213	—	BR 210	
AR 215	215	219.5	5	3	218	—	BR 215	
AR 220	220	224.5	5	3	223	BR 220	BR 220	
AR 225	225	229.5	5	3	228	—	BR 225	
AR 230	230	234.5	5	3	233	BR 230	BR 230	
AR 235	235	239.5	5	3	238	—	—	
AR 240	240	244.5	5	3	243	—	BR 240	
AR 245	245	249.5	5	3	248	—	—	
AR 250	250	254.5	5	3	253	BR 250	BR 250	
AR 260	260	267	7.5	4	265	—	—	
AR 270	270	277	7.5	4	275	BR 270	BR 270	
AR 280	280	287	7.5	4	285	BR 280	BR 280	
AR 300	300	307	7.5	4	305	BR 300	BR 300	
AR 320	320	327	7.5	4	325	BR 320	BR 320	
AR 325	325	332	7.5	4	330	+0.36 0	BR 325	BR 325



DIMENSION TABLE

IKO NUMBER	DIMENSIONS (mm)						INA	FAG
	HOUSING d1	MIN. d3	b	t	d2	GROOVE TOLE.		
AR 355	355	362	7.5	4	360	+0.36 0	BR 355	BR 355
AR 375	375	382	7.5	4	380		BR 375	BR 375
AR 395	395	402	7.5	4	400		BR 395	BR 395
AR 415	415	422	7.5	4	420	+0.4 0	BR 415	BR 415
AR 420	420	427	7.5	4	425		BR 420	BR 420
AR 440	440	447	7.5	4	445		BR 440	BR 440

INTERCHANGE TABLE

● Inch-mm Conversion Table

1 inch = 25.4 mm

inch		0"	1"	2"	3"	4"	5"	6"	7"	8"
Fraction	Decimal									
1 / 64"	0.015625	0.397	25.400	50.800	76.200	101.600	127.000	152.400	177.800	203.200
1 / 32"	0.031250	0.794	25.797	51.197	76.597	101.997	127.397	152.797	178.197	203.597
3 / 64"	0.046875	1.191	26.194	51.594	76.994	102.394	127.794	153.194	178.594	203.994
1 / 16"	0.062500	1.588	26.591	51.991	77.391	102.791	128.191	153.591	178.991	204.391
			26.988	52.388	77.788	103.188	128.588	153.988	179.388	204.788
5 / 64"	0.078125	1.984	27.384	52.784	78.184	103.584	128.984	154.384	179.784	205.184
3 / 32"	0.093750	2.381	27.781	53.181	78.581	103.981	129.381	154.781	180.181	205.581
7 / 64"	0.109375	2.778	28.178	53.578	78.978	104.378	129.778	155.178	180.578	205.978
1 / 8"	0.125000	3.175	28.575	53.975	79.375	104.775	130.175	155.575	180.975	206.375
9 / 64"	0.140625	3.572	28.972	54.372	79.772	105.172	130.572	155.972	181.372	206.772
5 / 32"	0.156250	3.969	29.369	54.769	80.169	105.569	130.969	156.369	181.769	207.169
11 / 64"	0.171875	4.366	29.766	55.166	80.566	105.966	131.366	156.766	182.166	207.566
3 / 16"	0.187500	4.762	30.162	55.562	80.962	106.362	131.762	157.162	182.562	207.962
13 / 64"	0.203125	5.159	30.559	55.959	81.359	106.759	132.159	157.559	182.959	208.359
7 / 32"	0.218750	5.556	30.956	56.356	81.756	107.156	132.556	157.956	183.356	208.756
15 / 64"	0.234375	5.953	31.353	56.753	82.153	107.553	132.953	158.353	183.753	209.153
1 / 4"	0.250000	6.350	31.750	57.150	82.550	107.950	133.350	158.750	184.150	209.550
17 / 64"	0.265625	6.747	32.147	57.547	82.947	108.347	133.747	159.147	184.547	209.947
9 / 32"	0.281250	7.144	32.544	57.944	83.344	108.744	134.144	159.544	184.944	210.344
19 / 64"	0.296875	7.541	32.941	58.341	83.741	109.141	134.541	159.941	185.341	210.741
5 / 16"	0.312500	7.938	33.338	58.738	84.138	109.538	134.938	160.338	185.738	211.138
21 / 64"	0.328125	8.334	33.734	59.134	84.534	109.934	135.334	160.734	186.134	211.534
11 / 32"	0.343750	8.731	34.131	59.531	84.931	110.331	135.731	161.131	186.531	211.931
23 / 64"	0.359375	9.128	34.528	59.928	85.328	110.728	136.128	161.528	186.928	212.328
3 / 8"	0.375000	9.525	34.925	60.325	85.725	111.125	136.525	161.925	187.325	212.725
25 / 64"	0.390625	9.922	35.322	60.722	86.122	111.522	136.922	162.322	187.722	213.122
13 / 32"	0.406250	10.319	35.719	61.119	86.519	111.919	137.319	162.719	188.119	213.519
27 / 64"	0.421875	10.716	36.116	61.516	86.916	112.316	137.716	163.116	188.516	213.916
7 / 16"	0.437500	11.112	36.512	61.912	87.312	112.712	138.112	163.512	188.912	214.312
29 / 64"	0.453125	11.509	36.909	62.309	87.709	113.109	138.509	163.909	189.309	214.709
15 / 32"	0.468750	11.906	37.306	62.706	88.106	113.506	138.906	164.306	189.706	215.106
31 / 64"	0.484375	12.303	37.703	63.103	88.503	113.903	139.303	164.703	190.103	215.503
1 / 2"	0.500000	12.700	38.100	63.500	88.900	114.300	139.700	165.100	190.500	215.900

1 inch = 25.4 mm

inch		0"	1"	2"	3"	4"	5"	6"	7"	8"
Fraction	Decimal									
33 / 64"	0.515625	13.097	38.497	63.897	89.297	114.697	140.097	165.497	190.897	216.297
17 / 32"	0.531250	13.494	38.894	64.294	89.694	115.094	140.494	165.894	191.294	216.694
35 / 64"	0.546875	13.891	39.291	64.691	90.091	115.491	140.891	166.291	191.691	217.091
9 / 16"	0.562500	14.288	39.688	65.088	90.488	115.888	141.288	166.688	192.088	217.488
37 / 64"	0.578125	14.684	40.084	65.484	90.884	116.284	141.684	167.084	192.484	217.884
19 / 32"	0.593750	15.081	40.481	65.881	91.281	116.681	142.081	167.481	192.881	218.281
39 / 64"	0.609375	15.478	40.878	66.278	91.678	117.078	142.478	167.878	193.278	218.678
5 / 8"	0.625000	15.875	41.275	66.675	92.075	117.475	142.875	168.275	193.675	219.075
41 / 64"	0.640625	16.272	41.672	67.072	92.472	117.872	143.272	168.672	194.072	219.472
21 / 32"	0.656250	16.669	42.069	67.469	92.869	118.269	143.669	169.069	194.469	219.869
43 / 64"	0.671875	17.066	42.466	67.866	93.266	118.666	144.066	169.466	194.866	220.266
11 / 16"	0.687500	17.462	42.862	68.262	93.662	119.062	144.462	169.862	195.262	220.662
45 / 64"	0.703125	17.859	43.259	68.659	94.059	119.459	144.859	170.259	195.659	221.059
23 / 32"	0.718750	18.256	43.656	69.056	94.456	119.856	145.256	170.656	196.056	221.456
47 / 64"	0.734375	18.653	44.053	69.453	94.853	120.253	145.653	171.053	196.453	221.853
3 / 4"	0.750000	19.050	44.450	69.850	95.250	120.650	146.050	171.450	196.850	222.250
49 / 64"	0.765625	19.447	44.847	70.247	95.647	121.047	146.447	171.847	197.247	222.647
25 / 32"	0.781250	19.844	45.244	70.644	96.044	121.444	146.844	172.244	197.644	223.044
51 / 64"	0.796875	20.241	45.641	71.041	96.441	121.841	147.241	172.641	198.041	223.441
13 / 16"	0.812500	20.638	46.038	71.438	96.838	122.238	147.638	173.038	198.438	223.838
53 / 64"	0.828125	21.034	46.434	71.834	97.234	122.634	148.034	173.434	198.834	224.234
27 / 32"	0.843750	21.431	46.831	72.231	97.631	123.031	148.431	173.831	199.231	224.631
55 / 64"	0.859375	21.828	47.228	72.628	98.028	123.428	148.828	174.228	199.628	225.028
7 / 8"	0.875000	22.225	47.625	73.025	98.425	123.825	149.225	174.625	200.025	225.425
57 / 64"	0.890625	22.622	48.022	73.422	98.822	124.222	149.622	175.022	200.422	225.822
29 / 32"	0.906250	23.019	48.419	73.819	99.219	124.619	150.019	175.419	200.819	226.219
59 / 64"	0.921875	23.416	48.816	74.216	99.616	125.016	150.416	175.816	201.216	226.616
15 / 16"	0.937500	23.812	49.212	74.612	100.012	125.412	150.812	176.212	201.612	227.012
61 / 64"	0.953125	24.209	49.609	75.009	100.409	125.809	151.209	176.609	202.009	227.409
31 / 32"	0.968750	24.606	50.006	75.406	100.806	126.206	151.606	177.006	202.406	227.806
63 / 64"	0.984375	25.003	50.403	75.803	101.203	126.603	152.003	177.403	202.803	228.203

● N-lbf Conversion Table

1N = 0.224809 lbf 1lbf = 4.44822 N

N		lbf	N		lbf	N		lbf
4.448	1	0.225	151.24	34	7.643	298.03	67	15.062
8.896	2	0.450	155.69	35	7.868	302.48	68	15.287
13.345	3	0.674	160.14	36	8.093	306.93	69	15.512
17.793	4	0.899	164.58	37	8.318	311.38	70	15.737
22.241	5	1.124	169.03	38	8.543	315.82	71	15.961
26.689	6	1.349	173.48	39	8.768	320.27	72	16.186
31.138	7	1.574	177.93	40	8.992	324.72	73	16.411
35.586	8	1.798	182.38	41	9.217	329.17	74	16.636
40.034	9	2.023	186.83	42	9.442	333.62	75	16.861
44.482	10	2.248	191.27	43	9.667	338.06	76	17.085
48.930	11	2.473	195.72	44	9.892	342.51	77	17.310
53.379	12	2.698	200.17	45	10.116	346.96	78	17.535
57.827	13	2.923	204.62	46	10.341	351.41	79	17.760
62.275	14	3.147	209.07	47	10.566	355.86	80	17.985
66.723	15	3.372	213.51	48	10.791	360.31	81	18.210
71.171	16	3.597	217.96	49	11.016	364.75	82	18.434
75.620	17	3.822	222.41	50	11.240	369.20	83	18.659
80.068	18	4.047	226.86	51	11.465	373.65	84	18.884
84.516	19	4.271	231.31	52	11.690	378.10	85	19.109
88.964	20	4.496	235.76	53	11.915	382.55	86	19.334
93.413	21	4.721	240.20	54	12.140	386.99	87	19.558
97.861	22	4.946	244.65	55	12.364	391.44	88	19.783
102.31	23	5.171	249.10	56	12.589	395.89	89	20.008
106.76	24	5.395	253.55	57	12.814	400.34	90	20.233
111.21	25	5.620	258.00	58	13.039	404.79	91	20.458
115.65	26	5.845	262.44	59	13.264	409.24	92	20.682
120.10	27	6.070	266.89	60	13.489	413.68	93	20.907
124.55	28	6.295	271.34	61	13.713	418.13	94	21.132
129.00	29	6.519	275.79	62	13.938	422.58	95	21.357
133.45	30	6.744	280.24	63	14.163	427.03	96	21.582
137.89	31	6.969	284.69	64	14.388	431.48	97	21.806
142.34	32	7.194	289.13	65	14.613	435.93	98	22.031
146.79	33	7.419	293.58	66	14.837	440.37	99	22.256

How to use : For example, to convert 20 N into lbf, find the number 20 in the center of the first column. By referring to the lbf column on the right, it will be found that 20 N equals 4.496 lbf.
To convert 20 lbf into N, refer to the N column on the left and it will be found that 20 lbf equals 88.964 N.

● N-kgf Conversion Table

1N = 0.1019716 kgf 1kgf = 9.80665 N

N		kgf	N		kgf	N		kgf
9.8066	1	0.1020	333.43	34	3.4670	657.05	67	6.8321
19.613	2	0.2039	343.23	35	3.5690	666.85	68	6.9341
29.420	3	0.3059	353.04	36	3.6710	676.66	69	7.0360
39.227	4	0.4079	362.85	37	3.7729	686.47	70	7.1380
49.033	5	0.5099	372.65	38	3.8749	696.27	71	7.2400
58.840	6	0.6118	382.46	39	3.9769	706.08	72	7.3420
68.647	7	0.7138	392.27	40	4.0789	715.89	73	7.4439
78.453	8	0.8158	402.07	41	4.1808	725.69	74	7.5459
88.260	9	0.9177	411.88	42	4.2828	735.50	75	7.6479
98.066	10	1.0197	421.69	43	4.3848	745.31	76	7.7498
107.87	11	1.1217	431.49	44	4.4868	755.11	77	7.8518
117.68	12	1.2237	441.30	45	4.5887	764.92	78	7.9538
127.49	13	1.3256	451.11	46	4.6907	774.73	79	8.0558
137.29	14	1.4276	460.91	47	4.7927	784.53	80	8.1577
147.10	15	1.5296	470.72	48	4.8946	794.34	81	8.2597
156.91	16	1.6315	480.53	49	4.9966	804.15	82	8.3617
166.71	17	1.7335	490.33	50	5.0986	813.95	83	8.4636
176.52	18	1.8355	500.14	51	5.2006	823.76	84	8.5656
186.33	19	1.9375	509.95	52	5.3025	833.57	85	8.6676
196.13	20	2.0394	519.75	53	5.4045	843.37	86	8.7696
205.94	21	2.1414	529.56	54	5.5065	853.18	87	8.8715
215.75	22	2.2434	539.37	55	5.6084	862.99	88	8.9735
225.55	23	2.3453	549.17	56	5.7104	872.79	89	9.0755
235.36	24	2.4473	558.98	57	5.8124	882.60	90	9.1774
245.17	25	2.5493	568.79	58	5.9144	892.41	91	9.2794
254.97	26	2.6513	578.59	59	6.0163	902.21	92	9.3814
264.78	27	2.7532	588.40	60	6.1183	912.02	93	9.4834
274.59	28	2.8552	598.21	61	6.2203	921.83	94	9.5853
284.39	29	2.9572	608.01	62	6.3222	931.63	95	9.6873
294.20	30	3.0591	617.82	63	6.4242	941.44	96	9.7893
304.01	31	3.1611	627.63	64	6.5262	951.25	97	9.8912
313.81	32	3.2631	637.43	65	6.6282	961.05	98	9.9932
323.62	33	3.3651	647.24	66	6.7301	970.86	99	10.0952

How to use : For example, to convert 20 N into kgf, find the number 20 in the center of the first column. By referring to the kgf column on the right, it will be found that 20 N equals 2.0394 kgf.
To convert 20 kgf into N, refer to the N column on the left and it will be found that 20 kgf equals 196.13 N.